

# ARO<sup>®</sup>

## PNEUMATIC VALVES AND MOTION CONTROL

2, 3, AND 4-WAY VALVES, AVAILABLE WITH ELECTRIC, MANUAL,  
MECHANICAL, AND PNEUMATIC ACTUATORS. MINIATURE TO FULL SIZE VALVES.





## About ARO®

ARO® is a worldwide manufacturer of fluid management products that are skillfully engineered to deliver performance and serviceability, allowing success to flow freely in our customers' businesses. That's why ARO® is fluid intelligence—the smart choice in fluid management products for industrial operations.

With over an 85-year legacy of premier product performance and service excellence, ARO® provides fluid management equipment for customers and industries around the globe. ARO® has the right product to meet our customers' specific needs. We offer air-operated diaphragm pumps, piston pumps and packages, filters, regulators, and lubricators (FRLs), lubrication equipment, and pneumatic valves and cylinders.

## ARO's Fluid Power Products Keep the Unknown In Check

The smallest things pose the biggest threats to your facility. Air particle contaminates, improper pressure levels, lack of safety switches, and more can cause major damage to equipment and employees. Too often than not, plant managers are unaware of these threats until suddenly an essential tool doesn't work or their facility is shut down and they lose major time diagnosing the issue. ARO® builds the quality products to keep you from getting too familiar with the unknown. ARO® valves, cylinders, logic controls, and filters/regulators/lubricators (FRLs) make it easy to manage the small stuff. ARO® products are expertly engineered to protect your equipment and your employees from unscheduled downtime, premature breakdown, and injury risks. And because they integrate perfectly together, building a complete system for full protection is a breeze.

## Our robust valve offering is broad and deep

We have a valve for almost every solenoid, manual and mechanical application. In the rare case we don't have it, we can expertly modify or customize our standard product to meet your application needs. ARO® can provide customized pneumatic control solutions to meet the needs of large customers and OEMs

## The performance you deserve. The reliability you expect

ARO® has always delivered on a promise of performance, and valves are no exception. Built with the rugged reliability to handle heavy duty and dirty applications while offering excellent flow rates, our valves can control cylinder movement and machine sequence, operate pumps, and more with top-of-the-line efficiency.

# ARO®

# Table of Contents

## Valves

### Actuator Styles Page

#### Manual

Max Air.....	36, 39, 40, 59
50 Series .....	32
E Series.....	42
K Series .....	48
200 Series .....	56
460 Series .....	61

#### Mechanical

Maxair .....	40, 59
50 Series .....	32
E Series.....	42
100 Series .....	58
200 Series .....	56
400 Series .....	60

#### Pilot

Max Air.....	13
50 Series .....	32
E Series.....	42
K Series .....	48
H Series.....	52
200 Series .....	56
Alpha.....	18

#### Solenoid

Max Air.....	13, 30
Sierra .....	4
Alpha.....	18
CAT .....	24
E Series.....	42
H Series.....	52
K Series .....	48
Premair.....	28

## Accessories and Specialty Valves

24130 Button Bleeder.....	62
24135 Button Bleeder.....	62
9600 Pilot Bleeder.....	62
EV-30-A Quick Exhaust.....	62
PR10 Single Pulse Relay.....	62
SV10-C Shuttle.....	63
SV20-C Shuttle.....	63
20370 Micro Switches.....	63
20467 Micro Switches.....	63
20311-X Breather.....	64
20312-X Muffler .....	64
20313-X Speed Control .....	64
20308-X Exhaust Silencer .....	64
600 3-Way Sleeve .....	65
Coils and Connectors .....	69, 70
Tubing, Fittings and Connectors.....	95
Flow Controls .....	66, 67, 68

### Air Pneumatic Logic Controls

Specifications .....	73
Two -Hand Anit-Tie-Down.....	74
Flex-6 Accessory Units.....	75
Flex-6 Controls .....	78
Logic Elements.....	81
Indicators .....	88
Enclosures .....	91
Counters.....	92
Liquid Level Sensors .....	93
Fittings.....	95
Panel Mounted Valves .....	89, 90

### Repair Kits

Repair Kits.....	72, 73
------------------	--------

# Pneumatic Valves

## Descriptions

### Sierra Series

Compact 2-position, 4-way valves that are lightweight, yet durable. 15mm or 18mm wide. Body ported or sub-base mounted. Single and double solenoids available. M5 (10-32) and 1/8" ports.

### MaxAir Series

2, 3 and 4-way air solenoid, pilot and hand lever valves feature excellent flow in a compact, lightweight package.

### Alpha Series

High flow, 2-and-3-position, 4-way valves that are compact in size with many features. The family includes: Body Threaded, Stacking, Bar Manifold and Assembled Manifold. Single and double solenoids, or pilot actuators are available. 1/8", 1/4" and 3/8" ports.

### Cat Series

Small, 3-way solenoid valves. Perfect for small bore, single acting cylinders and electric to air interfacing applications. Body ported for stand alone applications, stacking or base manifold. Available as normally open or normally closed. 1/8" and 1/4" ports.

### 50 Series

3-way and 4-way body ported valves. Six manual, mechanical and pilot actuator styles available. 1/8" ports.

### E-Series

3-way and 4-way body ported valves. Nine manual, mechanical, pilot and solenoid actuator styles available. 1/4" ports.

### K-Series

Manual, Pilot and Solenoid, heavy duty 4-way valves. Available as body ported. Seven actuator styles available. Manual: 3/8" and 1/2" ports. Solenoid and Pilots: 3/8", 1/2", 3/4" and 1" ports.

### H-Series

High flow 3-and-4-way function Poppet valves. Available in solenoid, pilot and bleed actuators. 1/4", 3/8" & 1/2" ports.

### Premair™

3 & 4-way direct acting solenoid valve. Rugged construction & lightweight, stand alone & stacking. Available in 1/8" ports.

## Accessories

### Accessory Valves

- 100 Series - 3-way N.C., miniature limit valves.
- 200 Series - 3-way limit valve-ideal for sensing devices such as cylinders, slides & gates.
- 400 Series - Heavy duty 3-way limit valves, 4 actuator arms available.
- 460 Series - 3-way palm button valves.
- The 200, 400 and 460 are multipurpose valves, plumb N.O., N.C., diverter, & selector.
- In line and right angle flow controls, in line needle & check valves.

### Valve Accessories and Special Valves

- Bleed valves: manual button and pilot operated.
- Quick exhaust valves for enhancing cylinder speed.
- One shot pulse valve to convert continuous air supply to a momentary output.
- Shuttle valves operate as a check when two inlets are required.
- Micro switch converts pneumatic signal into an electric signal.
- Exhaust mufflers, exhaust speed controls, breather vents.

### Pneumatic Logic Controls

- Two-hand anti-tie-down unit for monitoring operators hands during work cycle.
- Pneumatic pulse and delay timers for use in simple valve circuitry.
- Pneumatic counters.

# Selection Charts

## Product line size range - body style solenoid valves

Valve Series (Page No.)	10-32 Port Size	1/8" Port Size	1/4" Port Size	3/8" Port Size	1/2" Port Size	3/4" Port Size	1" Port Size
<b>Sierra</b> (PG 4-12)	9 SCFM (0.25 Cv)	30 SCFM (0.70 Cv)					
<b>Premair</b> (PG 28,29)		10 SCFM (0.144 Cv)					
<b>Maxair</b> (PG 13-17)			26 SCFM (0.70 Cv)	61 SCFM (1.65 Cv)	150 SCFM (1.70 Cv)		
<b>Alpha</b> (PG 18-23)		30 SCFM (0.90 Cv)	50 SCFM (1.50 Cv)	61 SCFM (0.70 Cv)			
<b>E</b> (PG 42-47)			26 SCFM (0.70 Cv)				
<b>H</b> (PG 52,55)			55 SCFM (1.51 Cv)	81 SCFM (2.27 Cv)	85 SCFM (2.40 Cv)		
<b>K</b> (PG 48-51)				83 SCFM (2.30 Cv)	90 SCFM (2.57 Cv)	270 SCFM (7.54 Cv)	280 SCFM (7.80 Cv)

## Product line size range - manifold/stacking solenoid valves

<b>Sierra</b> (PG 4-12)	9 SCFM (0.25 Cv)	30 SCFM (0.70 Cv)					
<b>Premair</b> (PG 28,29)		10 SCFM (0.14 Cv)					
<b>Maxair</b> (PG 13-17)			26 SCFM (0.70 Cv)	61 SCFM (1.65 Cv)	150 SCFM (1.75 Cv)		
<b>Alpha</b> (PG 16-23)		43 SCFM (1.32 Cv)	54 SCFM (1.60 Cv)	54 SCFM (1.60 Cv)	57 SCFM (1.75 Cv)		
<b>Cat</b> (PG 24-27)		1.8 SCFM (0.048 Cv)	2.2 SCFM (0.062 Cv)				

## Product line size range - body style manual/mechanical

Valve Series (Page No.)	5/32" Push to Connect	1/8" Port Size	1/4" Port Size	3/8" Port Size	1/2" Port Size	3/4" Port Size	1" Port Size
<b>200</b> (PG 56-57)	4 SCFM (0.104 Cv)	7.5 SCFM (0.195 Cv)					
<b>400</b> (PG 60-61)	4 SCFM (0.104 Cv)	7.5 SCFM (0.195 Cv)					
<b>50</b> (PG 32-35)		16 SCFM (0.43 Cv)					
<b>Maxair</b> (PG 36-40)		8 SCFM (0.70 Cv)	26 SCFM (1.14 Cv)				
<b>E</b> (PG 42-47)			26 SCFM (0.70 Cv)				
<b>K</b> (PG 48-51)				83 SCFM (2.30 Cv)	90 SCFM (2.57 Cv)		

# Sierra 15

## Features

At Last. A Miniature Valve with Maximum Range. Superior flow capacity, an unrivaled array of “real-world” design features and options, a valve body that is both ultra-compact and lightweight—yet exceptionally durable—this is Sierra 15, the miniature valve with the maximum range.

### Ultra-Compact Valve Design

At only 15 mm wide, Sierra 15 is the one compact valve that’s going to fit your valve location requirements – with room to spare.

### Durable Body Construction

Sierra’s body features bar stock aluminum construction, producing a light weight, yet durable valve.

### Body-Ported:

- 2-position single and double solenoid models.
- Two wiring options: Lead Wire and Plug-In.
- Available in 120V AC, 24V DC or 12V DC.
- Body-Ported valves can be mounted on low profile manifold to simplify installation when using multiple valves.

### Base Mounted:

- 2-position single and double solenoid models.
- Standard 2-, 4-, 6-, 8-, 10-, 12- and 16 stations.
- Stand-alone subbase (for 1-station) with M5 (10-32) or 1/8” NPT(F) ports.
- Two wiring options: Lead Wire and Plug-In and three voltage options 120V AC, 24V DC or 12V DC.

### One-Touch Manual Valve Override (Standard)

Mechanical valve override is nonlocking spring return push with tool.

### Wiring and Voltage Options

Lead-Wire Style: Valve lead wires come stripped and preattached to the coil (NEMA 4). All models are available in either 120V AC, 24V DC. 12V DC Available on plug in only.

### Manifold Options

Manifolds are available in 2, 4, 6, 8, 10, 12 and 16-station configurations. Sierra manifolds are available with 1/8” NPT(F) ports. Sierra Valves and Manifolds are sold separately.

Stand-alone sub-bases available in M5 (10-32) or 1/8” NPT, for use with manifold mount valves only.

## Performance Specifications

<b>Pressure Range:</b>	22 to 115 PSI (0.8 M pa)
<b>Shift Pressures:</b>	22 PSI Single or Double-Solenoid
<b>Flow:</b>	9 SCFM, .25 Cv
<b>Operating Medium:</b>	Compressed Air
<b>Lubrication:</b>	None Required
<b>Cycle Rate:</b>	120 Cycles Per Minute

<b>Temperature Rating:</b>	0° to 122°F (-17° to 50°C)
<b>Signal Response Time</b>	14 ms
<b>Rated Voltage:</b>	120V AC, 24V DC and 12V DC
<b>Current Ratings:</b>	120V AC = 16 mA in-rush; 11 mA holding 12V DC & 24V DC = 67 mA
<b>Power Consumption:</b>	2.1/1.8 VA    1.9 W



Sierra Body-Ported Valve with Lead Wire



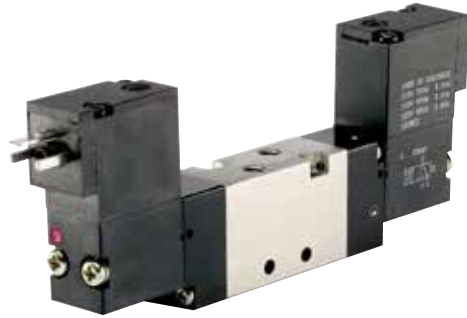
Base Mounted Sierra Valves on a SMH51N-04 Manifold



Sierra Valves on SML51N-04 Low Profile Manifold



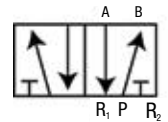
Single Solenoid  
(Lead Wire)



Double Solenoid  
(Plug-In Model)

### Ordering - Body Ported

Position	1	2	3	4	5	
Example:	S5	X	S	M	X	- 1
Position 1 Sierra Valve Size	Position 2 Number of Coils	Position 3 Valve Style	Position 4 Body Style	Position 5 Coil Style / Voltage		
S5 15 mm	<b>S</b> Single Solenoid, Spring Return <b>D</b> Double Solenoid	<b>S</b> Standard Solenoid Operator	<b>M</b> M5 (10-32)	<b>A</b> Lead Wire, 120V AC <b>B</b> Lead Wire, 24V DC <b>C</b> Plug-In, 120V AC <b>D</b> Plug-In, 24V DC <b>F</b> Plug-In, 12V DC		
				<b>A, B</b> NEMA 4 Rating <b>C, D &amp; F</b> NEMA 2 Rating		



### Low Profile Manifold

Position	1		2
Example:	SML51N	-	XX
Position 1 Sierra Manifold	Position 2 Number of Stations		
15mm valve low profile manifold with 1/8" Supply and Exhaust Ports	<b>02</b> 2 Stations <b>04</b> 4 Stations <b>06</b> 6 Stations <b>08</b> 8 Stations		

NOTE: Low Profile Manifolds are for use with Body Ported Valves only. One gasket and two screws are provided per station.

### Replacement Coils

Part Number	Description
119892-33	120 VAC Plug-In
119892-39	24 VDC Plug-In
119892-38	12 VDC Plug-In
119893-33	120 VAC Lead Wire
119893-39	24 VDC Lead Wire

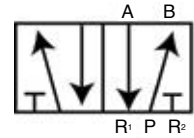
# Sierra 15

## Ordering - Base Mounted Valves

Position	1	2	3	4	5	
Example:	S5	X	X	9	X	- 1
Position 1 Sierra Valve Size	Position 2 Number of Coils	Position 3 Valve Style	Position 4 Body Style	Position 5 Coil Style / Voltage		
S5 15 mm	S Single Solenoid, Spring Return D Double Solenoid	S Standard Solenoid Operator	9 Base Mounted	A Lead Wire, 120V AC B Lead Wire, 24V DC C Plug-In, 120V AC D Plug-In, 24V DC F Plug-In, 12V DC		
				A, B NEMA 4 Rating C, D & F NEMA 2 Rating		



Single Solenoid, Plug-In Model  
Shown with CSN Connector



## Subbase

Position	1
Example:	11936X
Position 1 Port Size	
119367 M5 Subbase (10/32" threads)	
119368 1/8" Subbase	



Sierra Valve on 1/8"  
Stand-alone Subbase

## Manifold

Position	1		2
Example:	SMH51N	-	XX
Position 1 Sierra Manifold	Position 2 Number of Stations		
15mm valve with 1/8" Ports	02 2 Stations 04 4 Stations 06 6 Stations 08 8 Stations	10 10 Stations 12 12 Stations 16 16 Stations	

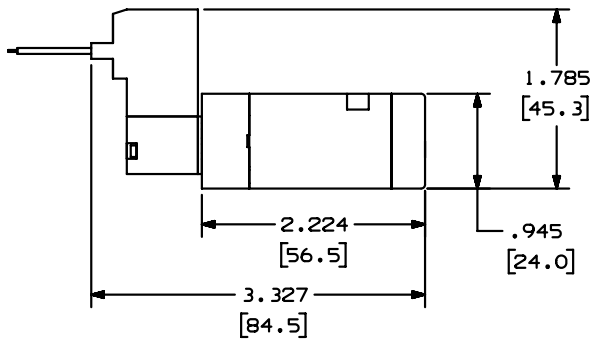
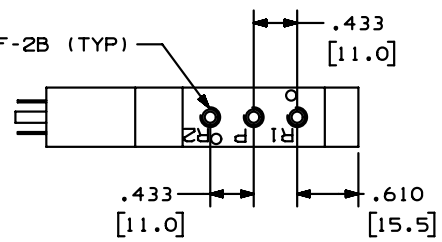
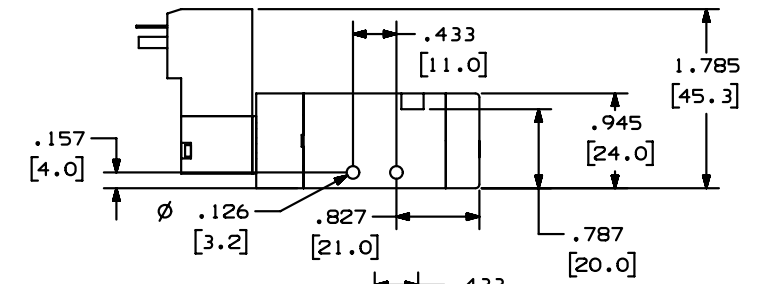
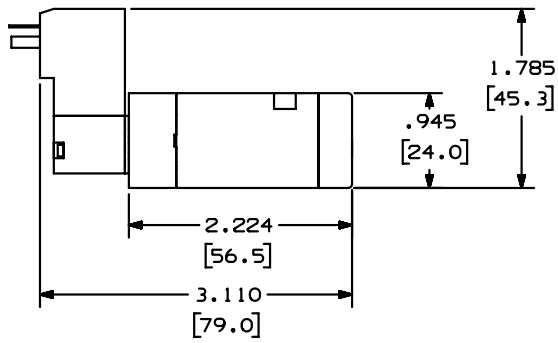
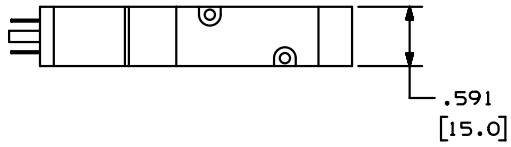
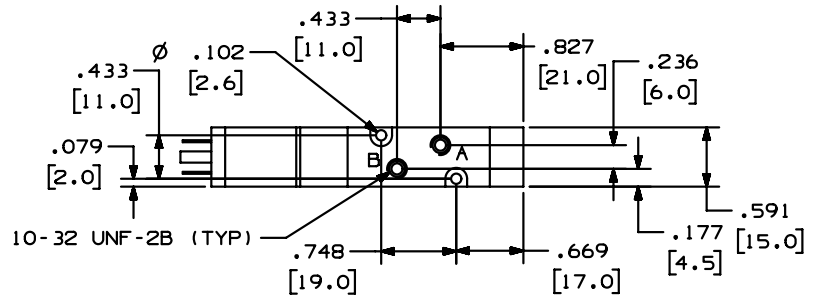


Manifold Close-Up

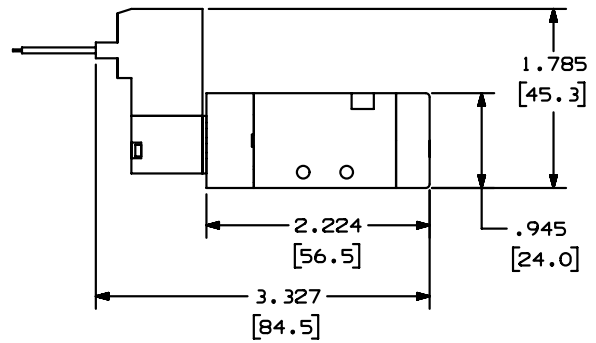
## Replacement Coils

Part Number	Description
119892-33	120 VAC Plug-In
119892-39	24 VDC Plug-In
119892-38	12 VDC Plug-In
119893-33	120 VAC Lead Wire
119893-39	24 VDC Lead Wire



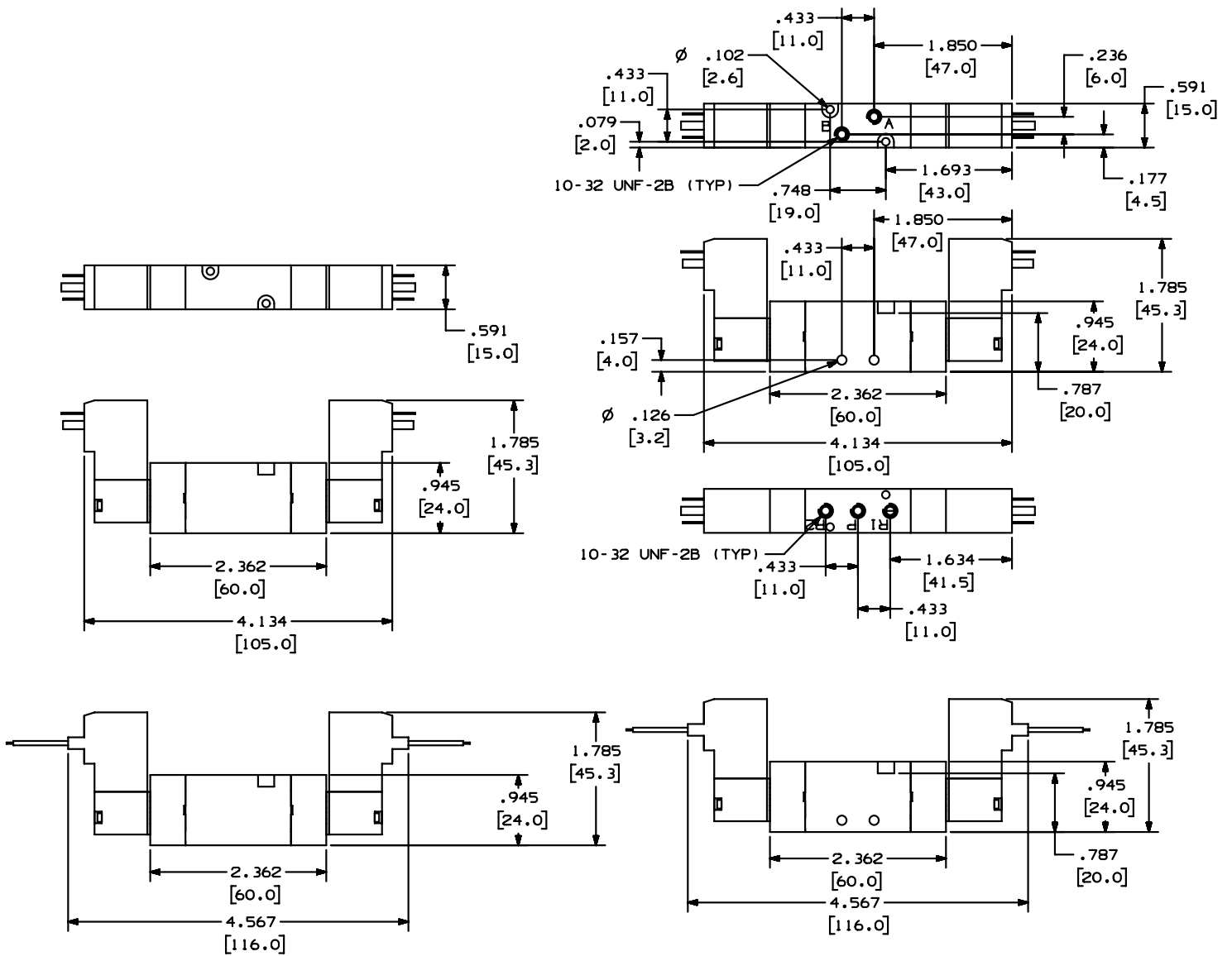


S5SS9X-1



S5SSMX-1

# Sierra 15



S5DS9X-1

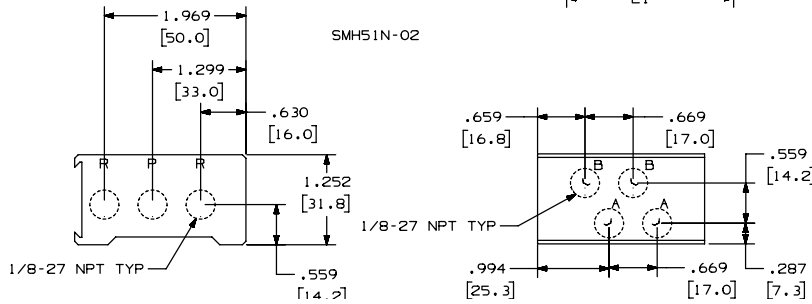
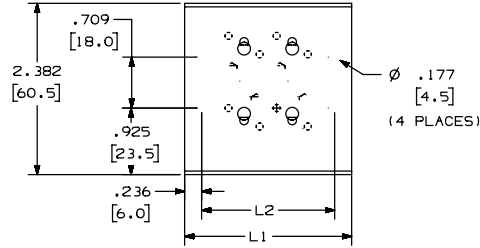
S5DSMX-1

## Standard Manifold Dimensions

### High Profile Manifold Dimensions

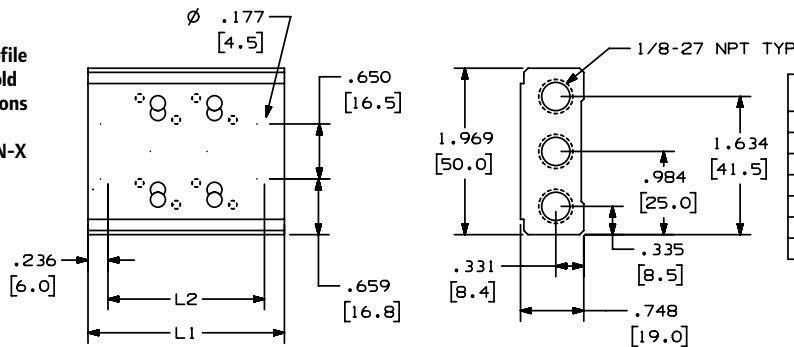
SMH51N-X

NUMBER OF STATIONS	L1	L2
2	2.323 (59.0)	1.850 (47.0)
4	3.661 (93.0)	3.189 (81.0)
6	5.000 (127.0)	4.528 (115.0)
8	6.339 (161.0)	5.866 (149.0)
10	7.677 (195.0)	7.205 (183.0)
12	9.016 (229.0)	8.543 (217.0)
16	11.693 (297.0)	11.220 (285.0)



### Low Profile Manifold Dimensions

SML51N-X



NUMBER OF STATIONS	L1	L2
2	2.323 (59.0)	1.850 (47.0)
4	3.661 (93.0)	3.189 (81.0)
6	5.000 (127.0)	4.528 (115.0)
8	6.339 (161.0)	5.866 (149.0)
10	7.677 (195.0)	7.205 (183.0)
12	9.016 (229.0)	8.543 (217.0)
16	11.693 (297.0)	11.220 (285.0)

## Additional Valve Accessories

**119351**

### Blanking Plate

Gasketed metallic plate installs in minutes and caps off unused manifold ports. Order one plate per valve station.

**119375**

### Replacement Gasket/Fastener

Kit contains Valve Gasket, Block Gasket, Valve-to-Manifold Screw, Replacement Shut-Off Block to Manifold Screw, Replacement Raceway Screw and Replacement Manifold Blanking Plate.

**119376**

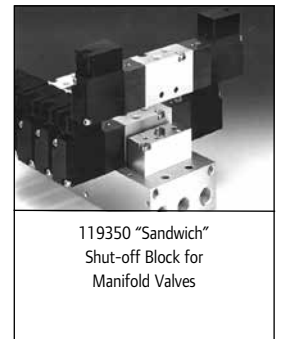
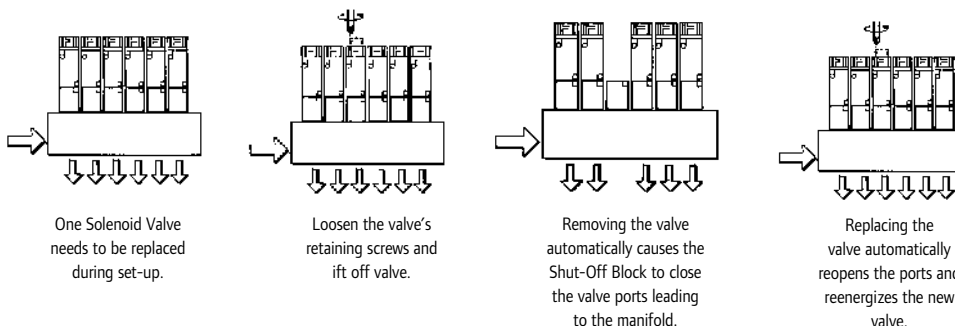
### Pipe Plug Kit

Contains 3 (ea.) 1/8" pipe plugs.

## Ordering

### 119350 "Sandwich" Shut Off Block

Allows a specific manifold valve to be removed without shutting down pressure to rest of the manifold.



119350 "Sandwich" Shut-off Block for Manifold Valves

IMPORTANT: The Shut-off Block option is intended for machine setup convenience only. When performing routine maintenance on machinery, always observe proper lock-out/ tag-out procedures.

# Sierra 18

## Features

### Sierra® 18 (1/8" Ports) 4-Way, Compact Air Valves 18mm Wide Body and 1/8" Ports Fill The Bill Between Mini and Medium Flow Valves

Larger than its 15mm Sierra counterpart yet smaller than the Alpha® valve, the Sierra 18 is the perfect fit for valve applications that require a compact, 4-way valve with plenty of options and features. The new Sierra 18 valves are equally ideal where fast signal response (18ms avg.) with moderate flow (.5 Cv, 3-position, .7 Cv 2-position) is required.



### 2 Styles Available: Choose Between Body-Threaded or Manifold - Mounted:

The Sierra 18 is a body - threaded valve that can be directly plumbed or mounted to a low profile manifold. The Sierra 18 is also available as a true manifold valve. Where there's a need for multiple valves in tight spots, especially in machine design operations, the Sierra 18 is the compact valve with complete flexibility and delivery.

### 3-Position Spool Function Provides Wider Application Flexibility:

Sierra 18 offers three distinct, 3-position spool configurations for a wide variety of applications:

- All ports blocked in center
- Cylinder ports open to exhaust in center, supply blocked
- Cylinder ports pressurized in center, exhaust ports blocked

### Solenoid Coils and Connectors Provide Quick, Clean Connections:

Coils are Class F rated for 100% duty cycle applications at 122° F ( 50° C ) . AC or DC coils can be interchanged on the same solenoid stem. Each Solenoid connector acts as its own junction box, with molded connectors and gaskets to protect electrical connections. Design meets NEMA-4 classifications.



### One - Touch Manual Override (Standard):

Sierra 18 contains a mechanical valve non-locking override.

### Manifolds Available in 2, 4, 6, 8, 10, and 16-Station Configurations.

## Performance Specifications

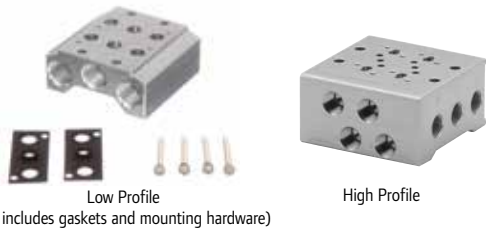
<b>Pressure Range:</b>	115 PSI (7.8 bar)
<b>Shift Pressure:</b>	22 PSI
<b>Flow:</b>	30 SCFM .7 Cv (2-Position Valves) 21 SCFM .5 Cv (3-Position Valves)
<b>Operating Medium:</b>	Compressed Air
<b>Cycle Rate:</b>	120 Cycles Per Minute
<b>Temp. Rating:</b>	0° to 122° F ( -17° to 50° C )
<b>Lubrication:</b>	None Required
<b>Signal Response Time:</b>	17ms (AC), 22ms (DC)

Rated Voltage	Power Consumption		Current Draw	
	In-rush	Holding	In-rush	Holding
20 VAC	3.1 VA	2.2 VA	26 mA	18 mA
12 VDC	1.9 W	1.9 W	154 mA	154 mA
24 VDC	2.0 W	2.0 W	85 mA	85 mA

## Ordering - Base Mounted Valves

Position	1	2	3	4		5		6
Example:	M8	X	X	XX	-	XXX	-	X

Position 1 Body Style	Position 2 Series	Position 3 Valve Type	Position 4 Operator	Position 5 Coil Voltage	Position 6 Coil Option
M8 18 mm	1 1/8" NPTF	<b>Body Ported</b> <b>2</b> Two Position <b>3</b> Three Position Spring Centered (All Ports Blocked) <b>7</b> Three Position Spring Centered (Cylinder Ports Open to exhaust) <b>A</b> Three Position Spring Centered (Cylinder Ports Pressurized) <b>Manifold Mount</b> <b>9</b> Two Position, Manifold Mount Valve (Order High Profile Manifold Separately)	<b>SD</b> Double Solenoid <b>SS</b> Solenoid/Spring	<b>000</b> No Coil <b>012</b> 12 Volt DC <b>024</b> 24 Volt DC <b>120</b> 120 Volt AC	<b>A</b> Standard Coil AC <b>D</b> Standard Coil DC <b>N</b> No Coil



## Low Profile Manifold & Blanking Plate

Model	Description
SML81N-02	2-Station Manifold
SML81N-04	4-Station Manifold
SML81N-06	6-Station Manifold
SML81N-08	8-Station Manifold
SML81N-10	10-Station Manifold
SML81N-16	16-Station Manifold
114155	Blanking Plate
114803	Replacement gasket Screw Kit (one gasket and two screws)

## High Profile Manifold & Blanking Plate

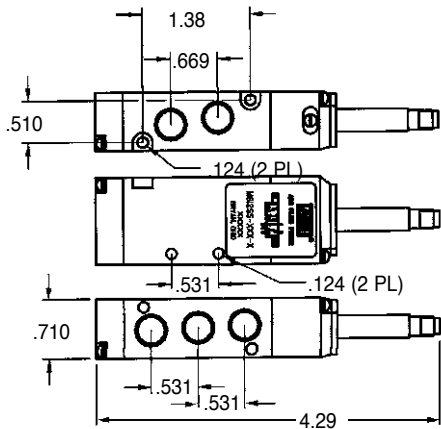
Model	Description
SMH81N-02	2-Station Manifold
SMH81N-04	4-Station Manifold
SMH81N-06	6-Station Manifold
SMH81N-08	8-Station Manifold
SMH81N-10	10-Station Manifold
114808	Blanking Plate

## Coil and Connector

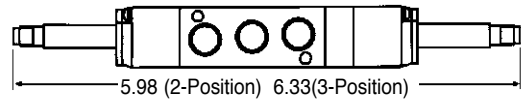
Model	Description
CHL6-012	12 VDC molded cable connector w/ indicator light, 39" leads
CHL6-024	24 VDC molded cable connector w/ indicator light, 39" leads
CHL6-120	120 VAC molded cable connector w/ indicator light, 39" leads
CHW6	16 mm molded cable connector, 39" leads
CSL6-012	12 VDC strain relief connector w/ indicator light
CSL6-024	24 VDC strain relief connector, w/ indicator light
CSL6-120	120 VAC strain relief connector, w/ indicator light
CSN6	16 mm, strain relief connector
114153-33	120 VAC, lead wire coil
114153-38	12 VDC, lead wire coil
114153-39	24 VDC, lead wire coil
114138-33	120 VAC, standard coil
114138-38	12 VDC, standard coil
114138-39	24 VDC, standard coil



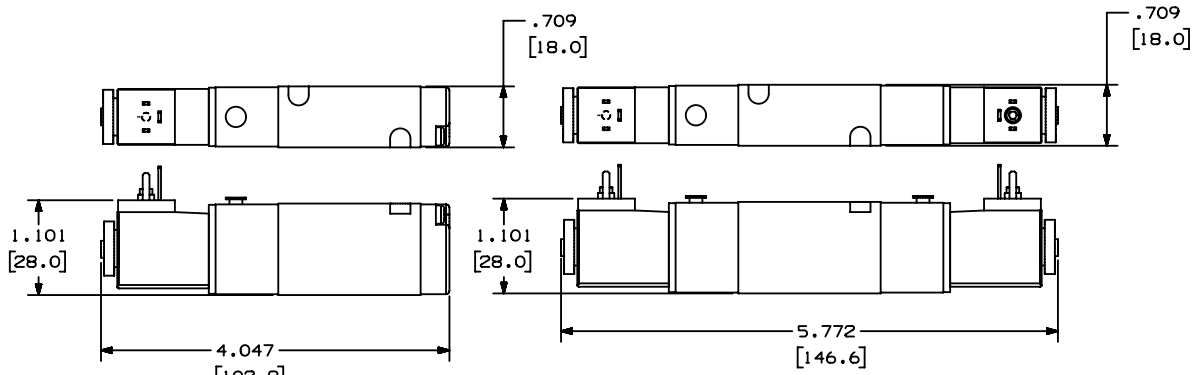
# Sierra 18



M812SS-XXX-X



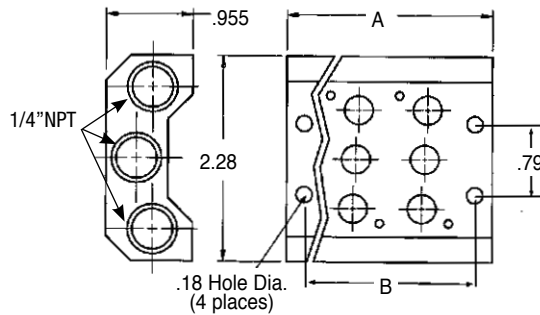
M812SD-XXX-X  
M813SD-XXX-X



M819SS-XXX-X

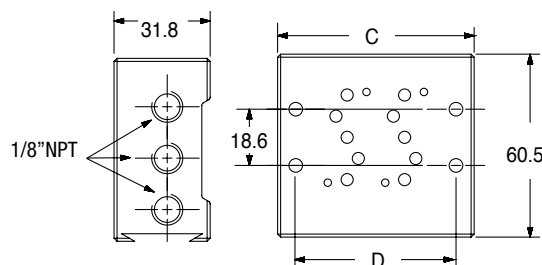
M819SD-XXX-X

## Low Profile Manifold Dimensions



	A	B
<b>2-Station</b>	2.24	1.85
<b>4-Station</b>	3.74	3.35
<b>6-Station</b>	5.24	4.84
<b>8-Station</b>	6.73	6.34
<b>10-Station</b>	8.23	7.84

## High Profile Manifold Dimensions



	C	D
<b>2-Station</b>	2.56	2.09
<b>4-Station</b>	4.06	3.59
<b>6-Station</b>	5.56	5.08
<b>8-Station</b>	7.05	6.58
<b>10-Station</b>	8.55	8.08

# MaxAir

## Features

### 3-Way and 4-Way Air Solenoid & Pilot Valves 1/4", 3/8" & 1/2" NPT Ports

- Ideal for packaging, material handling and air motor applications
- Ideal for double acting pneumatic cylinders
- Compact size with excellent flow capacity
- Single and double solenoid or pilot models
- Three voltages available 120 VAC, 12 and 24 VDC
- Lightweight aluminum bodies and Buna-N seals are standard
- Manifold mounting available, blanking plates provided for future expansion
- Max/Air valves use Alpha style 22mm coil
- 1/4" = 26 mm Body Size
- 3/8" = 30 mm Body Size
- 1/2" = 34 mm Body Size



### 3-Position Spool Function Provides Wider Application Flexibility:

MaxAir offers 3-position spool configuration with all ports blocked in center.

### Solenoid Coils and Connectors Provide Quick, Clean Connections:

Coils are Class F rated for 100% duty cycle applications at 122° F ( 50° C). AC or DC coils can be interchanged on the same solenoid stem. Each Solenoid connector acts as its own junction box, with molded connectors and gaskets to protect electrical connections. Design meets NEMA-4 specifications.

### One - Touch Manual Override (Standard):

MaxAir contains a mechanical valve override that can be adjusted to a locking (push 'n twist) position or non-locking function.

### Valves are Body-Threaded and can be Manifold - Mounted:

MaxAir is a body - threaded valve that can be directly plumbed or manifold - mounted. Where there's a need for multiple valves in tight spots, especially in machine design operations. Manifolds Available in 2, 4, 6, 8, 10, and 12 Station configurations.

## Ordering

Position	1	2	3	4	5		6		7
Example:	M	X	X	X	XX	-	120	-	A
Position 1 Body Style	Position 2 Valve Type*		Position 3 Body Style	Position 4 Port Size		Position 5 Actuation/Return*		Position 6 Coil Volage	Position 7 Coil Option
M MaxAir	2 2 Position 3 3 Position All Ports Blocked Spring Centered (Sol. & Pilot Only)		1 4 Way Side Ported 5 3 Way Side Ported	2 1/4" NPT 3 3/8" NPT 4 1/2" NPT		SS Single Solenoid/Spring SD Double Solenoid PS Pilot / Spring* PD Pilot / Double*		000 No Coil 012 12VDC 024 24 VDC 120 120 VAC	N No Coil A AC D DC

\* Model number ends here on pilot activated valves.

## Performance Specifications

<b>Cv</b> (Solenoid) (Pilot)	1/4" = .70, 3/8" = 1.65, 1/2" = 4.32	<b>Temperature Range</b>	15° to 122° F (-10° to 50° C)
<b>SCFM</b>	1/4" = 26, 3/8" = 61, 1/2" = 150	<b>Minimum Shift Pressure</b>	2 position single pilot, single solenoid, spring return - 45 PSI
<b>Port Size</b> NPT	1/4", 3/8", 1/2"		2 position double pilot - 45 PSI
<b>Operating Medium</b>	Non-Lubricated or Lubricated Air		2 position double solenoid-20 PSI
<b>Air Pres. Range</b> (Solenoid)	45 - 115 PSI		3 position double solenoid, double pilot, spring centered - 45 PSI
<b>Pres. Range</b> (Pilot)	45 - 140 PSI		
<b>Duty Cycle</b>	100%		

# MaxAir

## Ordering - Manifold



Manifold Kits  
Kits include: manifold, seals  
and valve attaching hardware



CHW



CBW



CHL-XXX



CSN, CSL-XXX



CDN, CDW  
CDL-XXX

No. of Stations	1/4" NPT Ports	3/8" NPT Ports	1/2" NPT Ports
2	M26M02-02	M30M03-02	M34M04-02
4	M26M02-04	M30M03-04	M34M04-04
6	M26M02-06	M30M03-06	M34M04-06
8	M26M02-08	M30M03-08	M34M04-08
10	M26M02-10	M30M03-10	M34M04-10

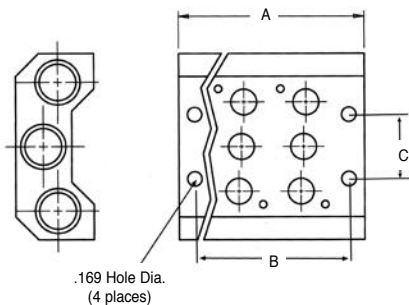
### Blanking Plate Kit

- M26MB** Fits 1/4" (26 mm) manifolds
- M30MB** Fits 3/8" (30 mm) manifolds
- M34MB** Fits 1/2" (34 mm) manifolds

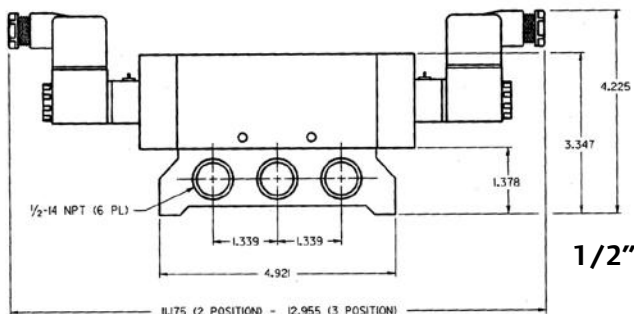
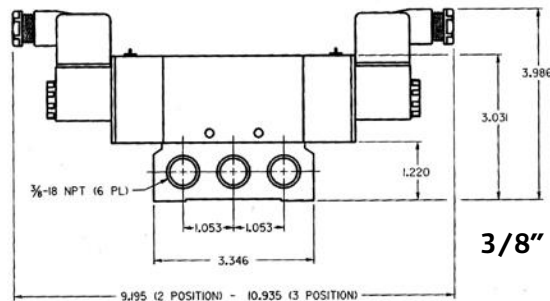
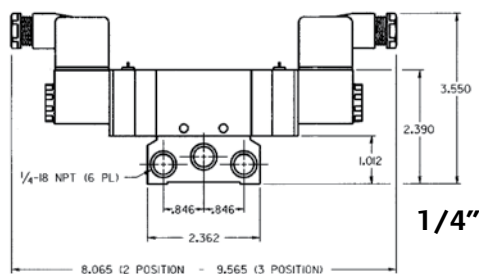
22mm Connector Model	Description
<b>CHW</b>	Straight connector with cable (36") located on top
<b>CBW</b>	Straight connector with cable (36") located on back
<b>CHL-XXX</b>	Straight connector (36") with indicator light located on back.
<b>CSN</b>	Strain relief, without indicator light or cable.
<b>CSL-XXX</b>	Strain relief, with indicator light located on the back.
<b>CDN</b>	1/2" conduit without light or lead wire
<b>CDW</b>	1/2" conduit without light, 18" lead wire
<b>CDL-XXX</b>	1/2" conduit with light, 18" lead wire

**Voltage (-XXX)**  
**012** = 12 VDC/VAC    **024** = 24 VDC/VAC    **120** = 120 VDC/VAC

## Dimensions



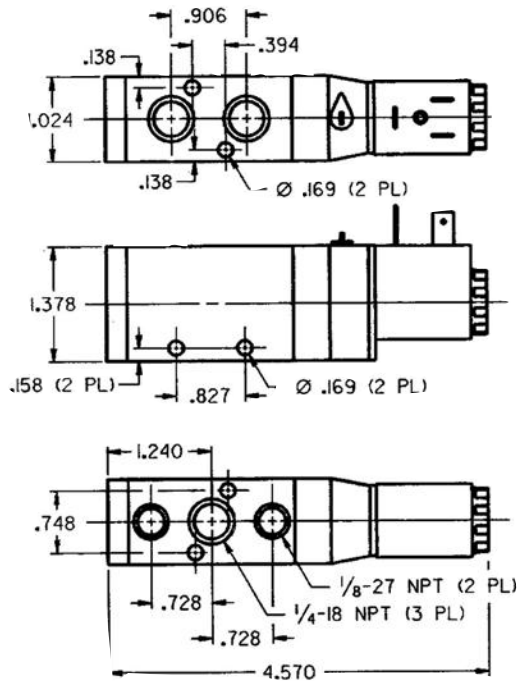
Stations	1/4"			3/8"			1/2"		
	A	B	C	A	B	C	A	B	C
2	3.189	2.638	0.866	3.661	3.031	1.063	4.134	3.346	1.181
4	5.315	4.764	0.866	6.101	5.471	1.063	6.890	6.102	1.181
6	7.441	6.890	0.866	8.541	7.911	1.063	9.646	8.858	1.181
8	9.567	9.016	0.866	10.981	10.351	1.063	12.402	11.614	1.181
10	11.693	11.142	0.866	13.421	12.791	1.063	15.158	14.370	1.181



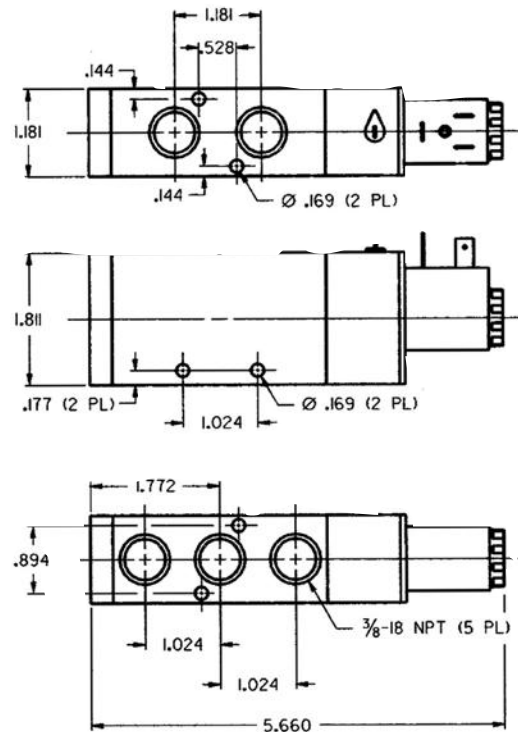


# MaxAir

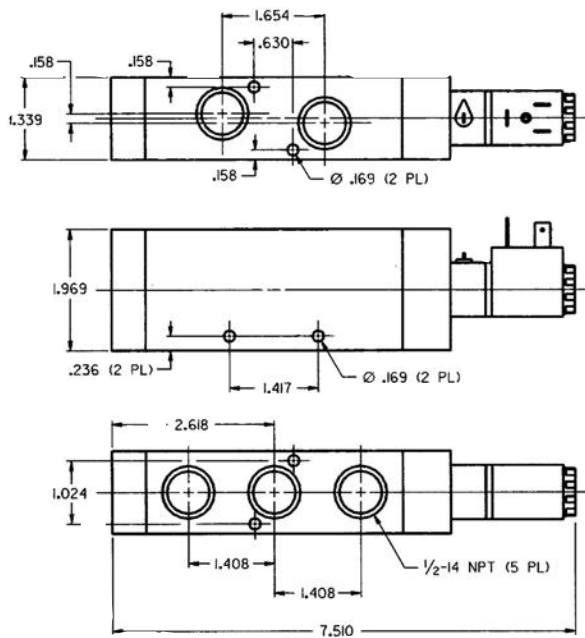
## Dimensions - Solenoid



**M212SS  
M252SS\***



**M213SS  
M253SS\***

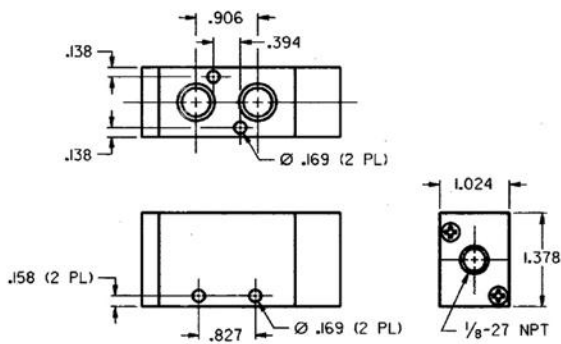


**M214SS  
M254SS\***

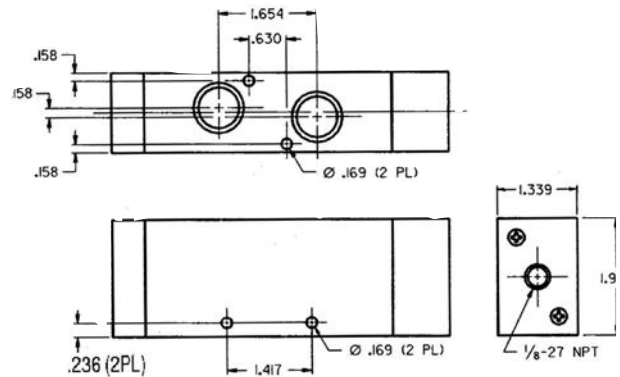
\* Dimensions are the same for 3-way and 4-way valves

# MaxAir

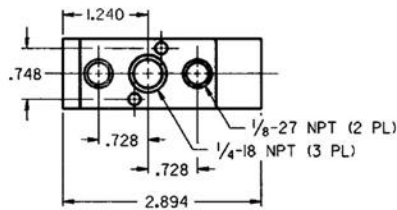
## Dimensions - Pilot



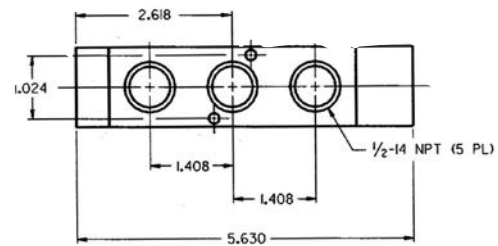
**M212PS, M252PS\***



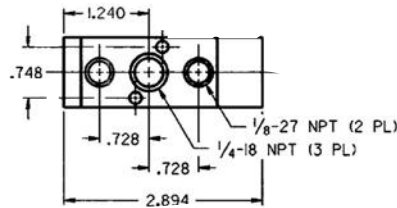
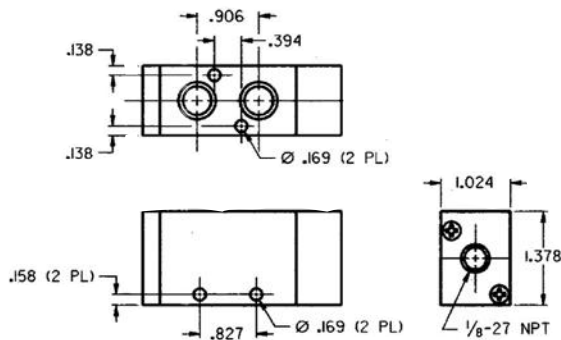
**M214PS, M254PS\***



**M213PS, M253PS\***

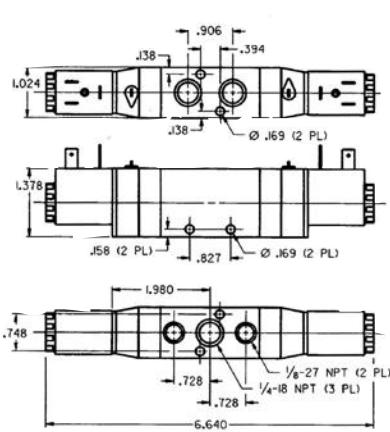


\* Dimensions are the same for 3-way and 4-way valves

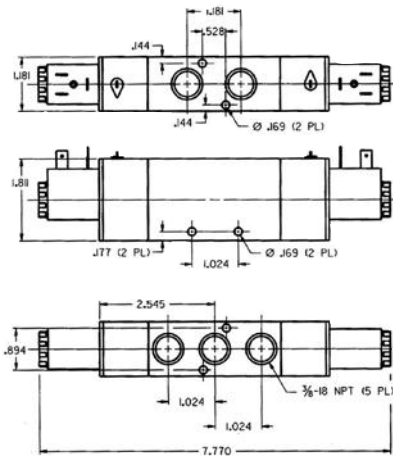


# MaxAir

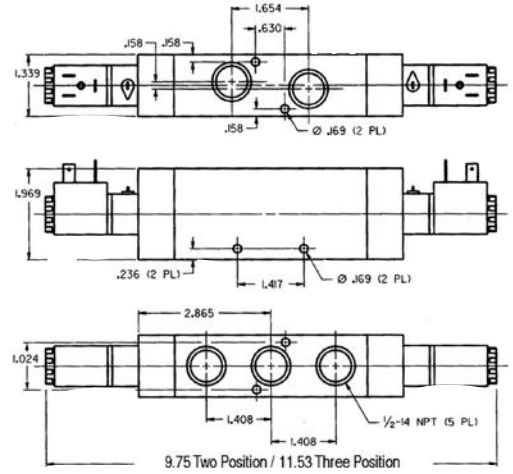
## Dimensions - Solenoid



M212SD  
M312SD

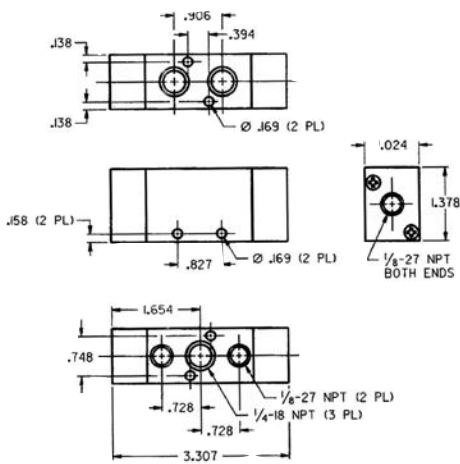


M213SD  
M313SD

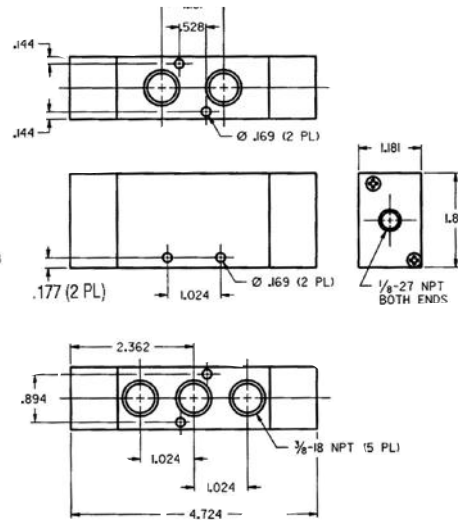


M214SD  
M314SD

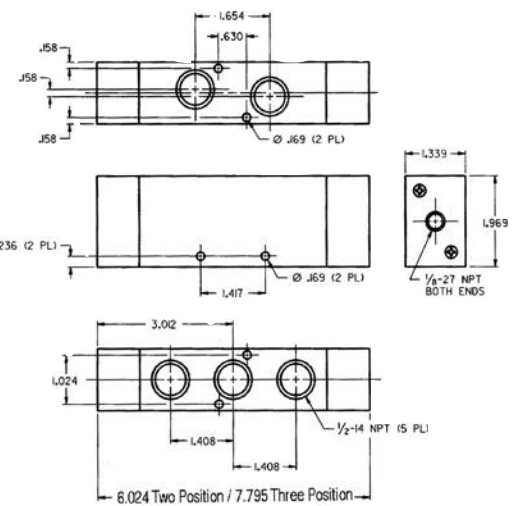
## Dimensions - Pilot



M212PD  
M312PD



M213PD  
M313PD



M214PD  
M314PD

# Alpha

## Features

### Body Ported Valves

Compact, space saving design. Perfect for stand alone and remote valve applications. Ports have ISO identification. Sizes include 1/8", 1/4" and 3/8" NPT.

### Stacking Valves

The lowest cost method of ganging valves, because it eliminates the manifold. Flip out design. Loosen the end plate cap screws to swing the valve up and out. No need to disassemble entire stack to replace one valve. Bodies stack on 1" centers. Circuits can be designed and mounted in a compact area. When stacked, ALPHA becomes a 4-way, 4-ported valve. 3/8" common end plate ports with 1/4" working ports in the valve body.

### Subbase Valves

Replace valves easily! Simply remove three screws, lift off valve and replace. Math made simple! Add or subtract manifolds by removing an end plate and changing the valve stack as needed. No tie rods to make changing manifold lengths difficult. Port sizes of 1/4" and 1/2" with ISO port identifications. Subbase Valves use the same electrical coils and connectors as the ALPHA Body Ported Valve. Both End Plates can be used for common supplies and exhaust in high flow applications.

### "Thin" Manifold Valves

Thin, 1" width means more valves in less space. Faster assembly than stacking style valves. 2, 4, 6, 8, and 10 station manifolds are available. Use optional blanking plates for odd-numbered stations. 1/4" (NPT) models, with 3/8" supply or exhaust ports. Speed controls install directly into manifold, cutting set-up time.

### Versatile Design

- Available in Body Ported, Subbase, Stacking and "Thin" configurations
- Alpha can be ordered as a 2-position or 3-position valve
- 5-Year Warranty
- Valve Body, End Plate and Manifold material is zinc

### Superb Performance

- ALPHA's bonded, precision ground spool resists wear and provides excellent shift response
- Large air passages result in high flow characteristics. Listings detail Cv factor and maximum flow rates

### Numerous Control Options

- Control the valve one of 5 ways: Solenoid/Spring, Solenoid/Solenoid, Solenoid/Pilot, Pilot/Spring or Pilot/Pilot
- External solenoid supply allows operation for vacuum service and low pressure applications (Use kit No. 119306)
- Coils are cURus listed



## Performance Specifications

<b>Pressure Range:</b>	Vacuum to 150 psi (10.2 bar)
<b>Operating Medium:</b>	Compressed Air or inert gas
<b>Lubrication:</b>	None Required
<b>Filtration:</b>	40 Micron recommended
<b>Cycle Rate:</b>	600 Cycles Per Minute
<b>Temperature Rating:</b>	0° to 180°F (-17° to 82°C)
<b>Shift Pressures:</b>	50 psi (3.4 bar) 2-Position Single Solenoid or Single Pilot, Spring Return. 20 psi (1.4 bar) 2-position double pilot or double solenoid. 60 psi (4.0 bar) 3-Position Double Solenoid or Double Pilot, Spring Centered.

### Signal Response Time:

Double Pilot Actuator:	14 ms
Double Solenoid:	20 ms
Single Pilot (Pilot On)	19 ms
Single Pilot (Pilot Off)	26 ms
Single Solenoid (Energized)	22 ms
Single Solenoid (De-energized)	27 ms

### Flow:

#### Body Ported

2-position 1/8" Ports = .9 Cv, 30 SCFM  
2-position 1/4" Ports = 1.5 Cv, 50 SCFM  
2-position 3/8" Ports = 1.7 Cv, 61 SCFM  
3-position 1/8" Ports = .8 Cv, 27 SCFM  
3-position 1/4" Ports = 1.4 Cv, 45 SCFM  
3-position 3/8" Ports = 1.7 Cv, 61 SCFM

#### Subbase Valves:

1/8" Ports = 1.3Cv, 43 SCFM  
1/4" Ports = 1.6 Cv, 54 SCFM  
3/8" Ports = 1.6 Cv, 54 SCFM  
1/2" Ports = 1.75 Cv, 57 SCFM

#### Stacking Valves:

2-position 1/8" Ports = 1.32 Cv, 43 SCFM  
2-position 1/4" Ports = 1.9 Cv, 63 SCFM  
3-position 1/8" Ports = 1.2 Cv, 39 SCFM  
3-position 1/4" Ports = 1.7 Cv, 57 SCFM

#### "Thin" Valves:

1/4" Ports = 1.2 Cv, 39 SCFM

# Alpha

## Ordering

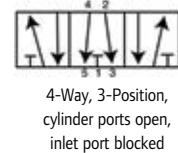
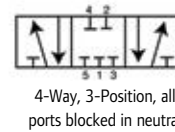
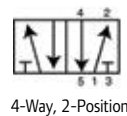
Position	1	2	3	4	5		6		7
Example:	A	X	X	X	XX	-	XXX	-	X

Position 1 Body Style	Position 2 Valve Spool Type	Position 3 Body Style	Position 4 Port Size	Position 5 Actuation/Return*	Position 6 Coil Voltage	Position 7 Current Type
<b>A</b> Alpha	<b>2</b> 2-Position, Urethane <b>3</b> 3-Position, Urethane <b>8</b> 3-Position, Viton <small>(3 and 8 are Spring Centered, all ports blocked in neutral. Available only with PD or SD Actuators)</small> <b>4</b> 2-Position, Viton <b>7</b> 3-Position, Urethane <b>9</b> 3-Position, Viton <small>(7 &amp; 9 are Spring Centered, inlet ports blocked (cylinder ports open) in neutral. Available only with PD or SD Actuators)</small>	<b>1</b> 4-Way, Body Ported Valves <b>2</b> 4-Way, Stacking Valves <small>Order End Plates from menu on Page 20. Order Mounting Brackets from Page 20.</small> <b>3</b> 4-Way, Subbase Mounted Valves <small>Order Subbase Manifolds from menu on Page 21.</small> <b>4</b> 4-Way, Alpha Thin Valves <small>Order Alpha Thin Manifolds and Speed Control Kits from menus on Page 21.</small>	<b>1</b> 1/8" NPTF <small>(Available on Body Ported valves only)</small> <b>2</b> 1/4" NPTF <small>(Available on Body Ported or Stacking Valves)</small> <b>3</b> 3/8" NPTF <small>(#3 available on Body Ported Valves only)</small> <b>9</b> NONE <small>(#9 used on Subbase or Alpha Thin Valves)</small>	<b>*PS</b> Pilot/Spring <b>*PD</b> Pilot/Pilot <b>SS</b> Solenoid/Spring <b>SD</b> Solenoid/Solenoid <b>SP</b> Solenoid/Pilot  <small>* Numbering ends here if a non-solenoid (PS or PD) valve is being selected.</small>	<b>000</b> No coil <b>024</b> 24V AC/DC <b>120</b> 120V AC <b>012</b> 12V AC/DC <b>240</b> 240V AC	<b>A</b> AC <b>D</b> DC <b>N</b> No Coil <b>L</b> Low Watt**  <small>** (DC Only, 115 PSI Max.)</small>  <small>If coil option A, D or L is selected, a coil connector must be ordered. See Pg. 69 for coil &amp; connector information. (Low Watt coils work only on valves with low watt option)</small>

## Ordering Examples

### Body Ported Valve: A212SS-120-A

"2" 2-Position Valve, Urethane Spool  
 "1" 4-Way Body Ported Valve  
 "2" 1/4" NPTF Ports  
 "SS" Actuator-Solenoid, Return-Spring  
 "120-A" 120 Volt Coil, AC Current



### "Thin" Valve: A449PS

"4" 2-Position Valve, Viton Spool  
 "4" 4-Way Alpha "Thin" Valve  
 "9" 9 No NPTF Ports  
 "PS" Actuator-Pilot, Return-Spring

### "Thin" Manifold: 118605-4

"11860X-X" Basic Manifold  
 "5" 1/4" NPT Ports  
 "-4" 4-Stations  
 Manifold information on Page 21

### 119306 External Supply Conversion Kit, Page 21.

Use when supply pressure is under 50 PSI or vacuum is used.

# Alpha

## Accessories - Alpha Stacking Valves

### End Plates and Isolator Plates

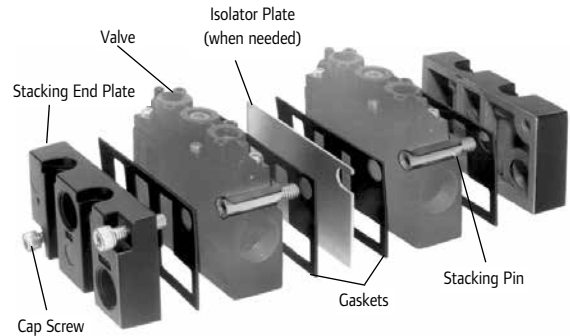
**MKN** One MKN Kit is required to stack 1-to-6 Valves without Isolator Plates. Each contains 2 End Plates, 2 Cap Screws and 1 Gasket.

**MKP** One MKP Kit is required to stack 7-to-12 Valves without Isolator Plates, or 1-to-12 Valves with an Isolator Plate. Each contains 2 End Plates, 2 Cap Screws and 1 Gasket.

**PTN** Isolator Plate. Blocks Supply and Exhaust Ports. Gasket Included.

**PEN** Isolator Plate. Blocks Exhaust Ports. Gasket Included.

**PPN** Isolator Plate. Blocks Supply Ports. Gasket Included.



Typical Stacking Valve Assembly

### Mounting Brackets

Kits include both Brackets and hardware to mount valve stacks to the brackets.

**116710** Tie Bolt Kit

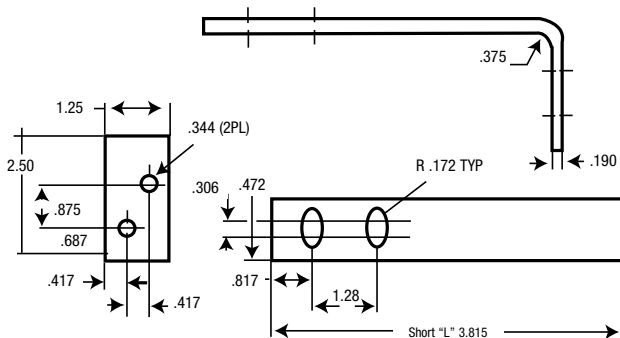
**116808** Short L - 3.75" long

**117987** Short Z - 3" high

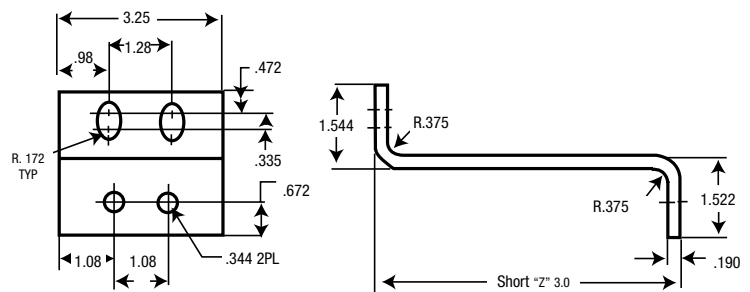


116808 Short L

### Dimensions - Mounting Brackets



"L" Brackets 116808



"Z" Brackets 117987

# Alpha

## Accessories

### Breather Vent, External Supply Plug

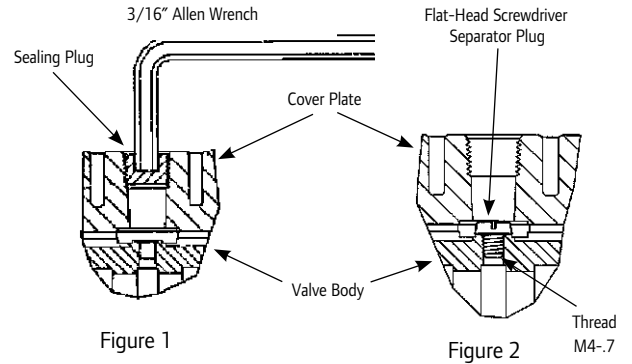
**116464** Solenoid Breather Vent 10-32 Thread Size.

**119306** External Solenoid Supply Plug Kit  
Changes ALPHA valves from internal to external solenoid air source.

**Step #1:** Remove all air supply sources, remove sealing plug. Figure 1.

**Step #2:** Install separator plug by threading plug into valve body with a flat-head screwdriver. Figure 2.

**Step #3:** Connect the external pilot air supply to the valve with an 1/8" NPT connector.



## Alpha "Thin" Valves

### Alpha Thin Manifolds

Position	1		2
Example:	118605	-	X

Position 1 Port Size	Position 2 Number of Stations	
1/4" NPT	2	2 Station
	4	4 Station
	6	6 Station
	8	8 Station
	10	10 Station



11860X-X ALPHA Thin Manifold Stack



118618 Speed Control Kit

### Alpha Thin Speed Controls

Control speed directly from the manifold. Kits allow you to control only the cylinder direction needed.

**118618** Includes both 119230 (Port #2) and 119231 (Port #4) control kits.

**118612** Station blanking kit.

## Sub-base Valves

### Manifold and End Plate Kits

- Manifold Kits are required when ordering Sub-base valves.
- One End Plate Kit is needed for each valve stack.
- Manifold Kits include the Manifold, one Gasket and two Screws.
- End Plate Kits include two End Plates, one Gasket and two Screws.

Port Size	Manifold Kit	End Plate Kit
1/4"	115455-1	116916-1
1/2"	116899-1	116926-1

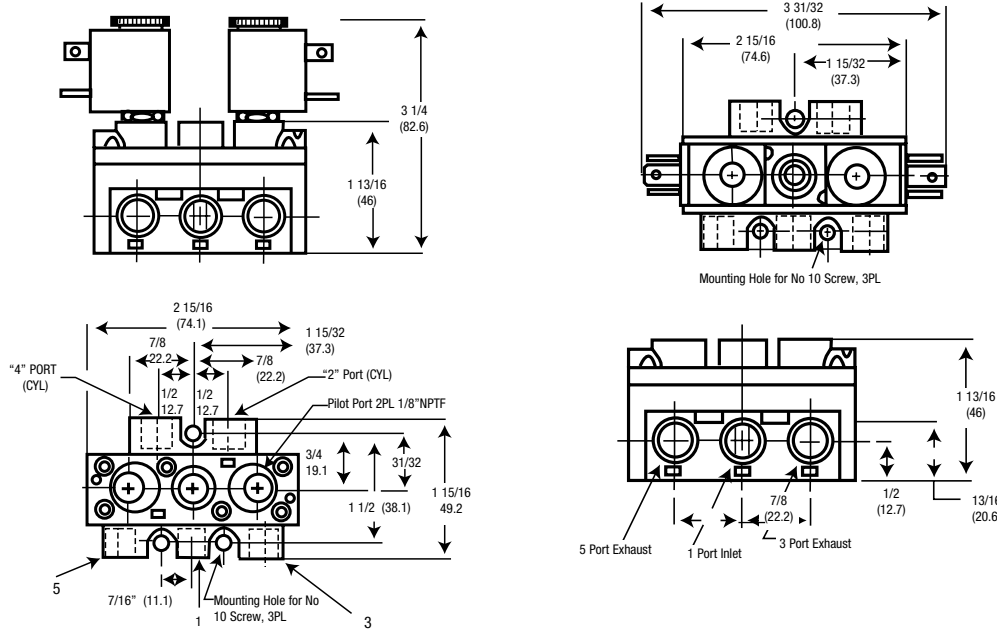


Subbase Valve Manifolds & End Plates

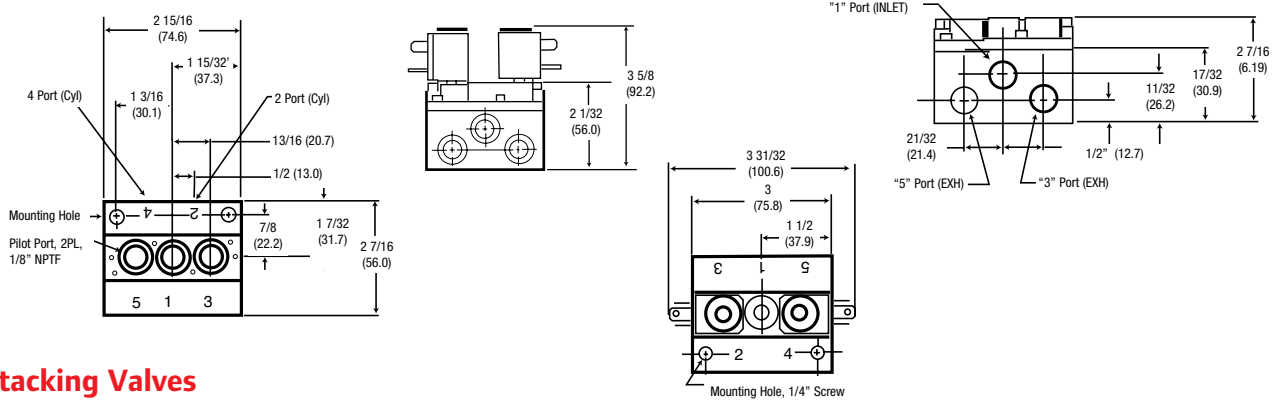
# Alpha

➤ **Dimensions** Dimensions given in Inches and (Millimeters)

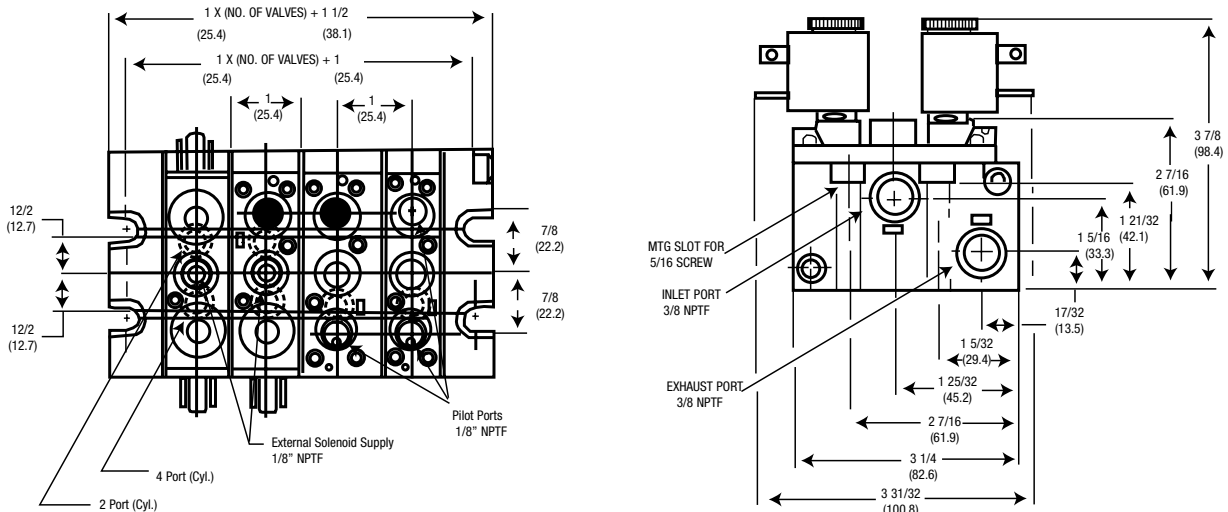
## 1/8" and 1/4" Body Ported



## 3/8" Body Ported Valves



## Stacking Valves

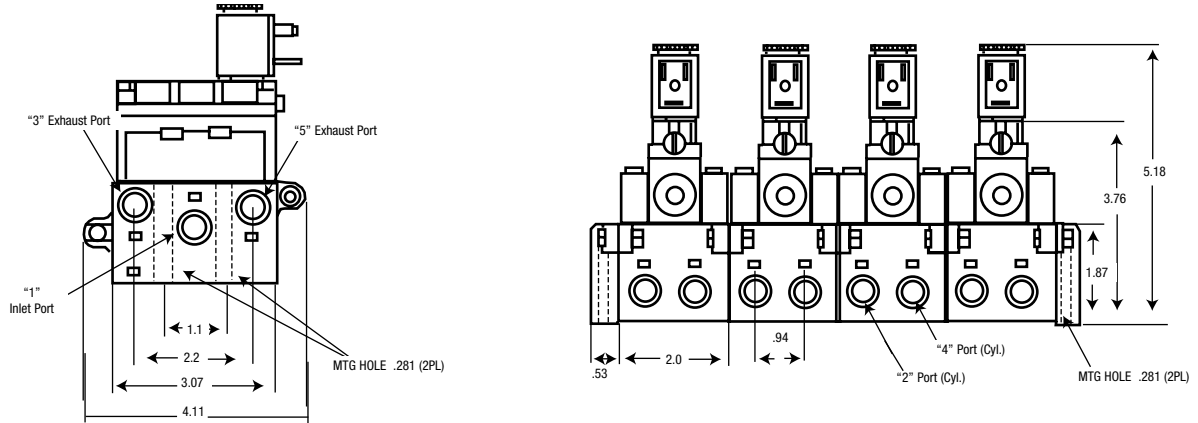




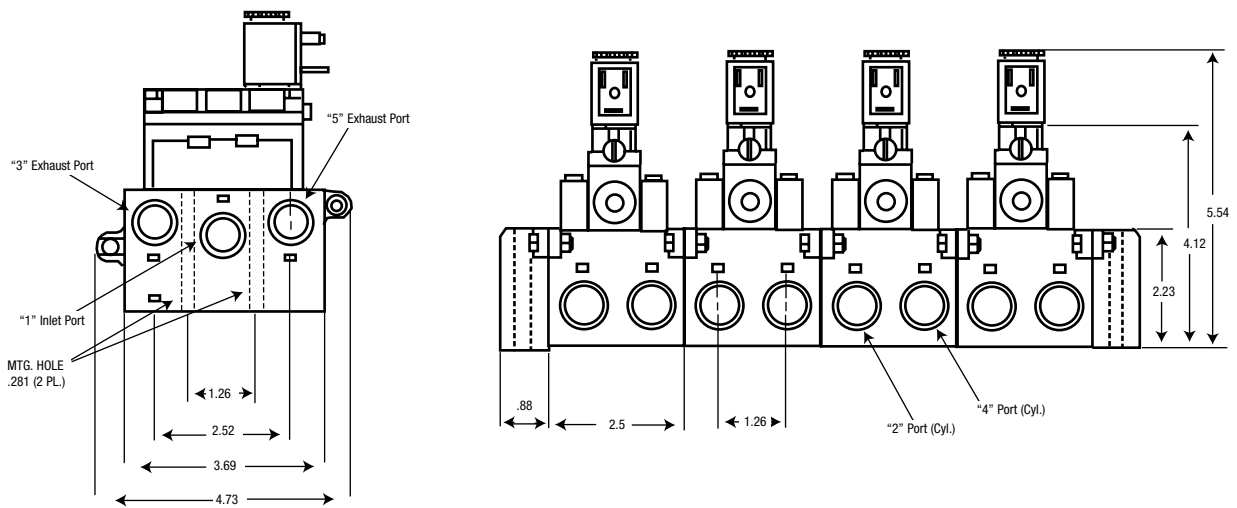
# Alpha

Dimensions given in Inches and (Millimeters)

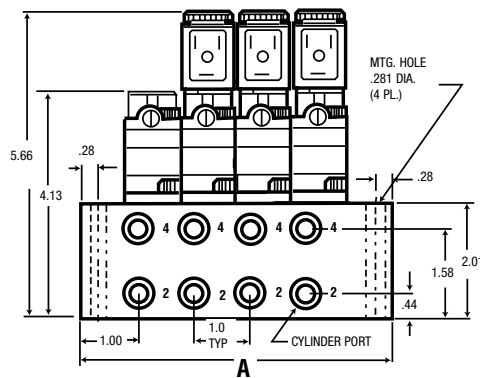
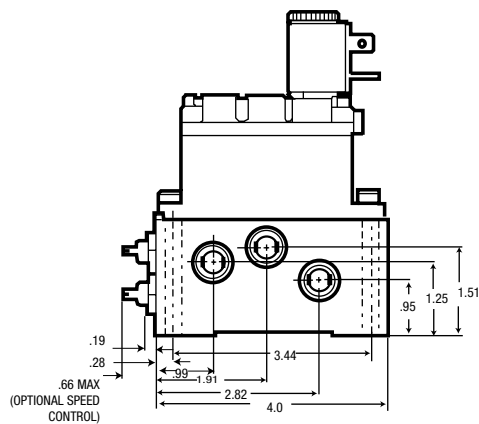
## Subbase Valves with 1/4" Cylinder Ports



## Subbase Valves with 1/2" Cylinder Ports



## Thin Manifolds with 1/4" Cylinder Ports



No. of Stations	A
2	3.57
4	5.57
6	7.57
8	9.57
10	11.57

# Cat Series

## Features

### Valve Performance Features

- Cat Series Valves are available as single station units, bar manifold or assembled as a stack.
- Cat Series valves are suitable for air or inert gas.
- Plugging the exhaust port allows single station valves to be plumbed as 2-way valves.
- Cat Series valves are available with a variety of coil options. See Pg. 69.
- Class F coils are rated for 100% duty cycle.

### Cat Series Valve Features and Benefits

- Quick change coil can be easily interchanged or replaced. Simply remove the top nut, slide off the coil and replace it with a new coil.
- The coil accepts DIN-style connectors, or automotive spade type connections. This helps reduce installation time and provides a secure electrical hook-up. See page 69.
- When mounted individually, the coil can be rotated to face one of four ways. As a stack, the coils can be mounted in two directions.

## Performance Specifications

**Pressure Range:** 0 to 115 PSI Low Watt

**Pressure Range:** 0 to 150 PSI (10.4 bar)

**Temperature Rating:** 0° to 122°F (-17° to 50°C)

**Flow:**

**1/8" Individual, Bar Manifold and Stacking Valves:**

**CAT33P:** Cv = .062 (2.2 SCFM), Seat Orifice .051, Stem .070

**CAT33S:** Cv = .048 (1.8 SCFM), Seat Orifice .051, Stem .070

**CAT44P:** Cv = .056 (2.0 SCFM), Seat Orifice .039, Stem .051

**CATXXB:** Cv = .062 (2.2 SCFM), Seat Orifice .051, Stem .070

**Operating Medium:** Compressed Air

**Response Time:** 5 - 9 ms

Performance Data, Ordering Menus and Dimensional Data for High-Flow CAT Valves are found on page 26.



Single CAT Series Valve



Three Valve CAT Series Stack



High Flow Cat Valve



Six-Station Cat Valve  
Bar Manifold

# Cat Series

## Ordering

### 1/8" Individual and Stacking Valves

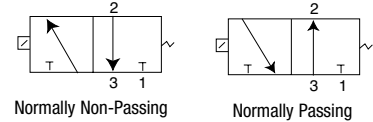
Model Number	Port Size	Valve Function	Body Style
CAT33P-XXX-X	1/8"	Non-Passing	Ported
CAT33S-XXX-X	1/8"	Non-Passing	Stackable
CAT44P-XXX-X	1/8"	Passing	Ported

Coil Options (for above model numbers)					
Code	Voltage	Current	Code	Voltage	Current
000-N	Valve with No Coil		024-D	24 Volt	DC
012-A	12 Volt	AC	120-A	120 Volt	AC
012-D	12 Volt	DC	240-A	240 Volt	AC
024-A	24 Volt	AC	*012-L	12 Volt Low Watt	DC
			*024-L	24 Volt Low Watt	DC

If coil option A or D is selected, a coil connector must be ordered. See Pg. 69 for coil & connector information.

\* Available on CAT33P-XXX-L and CAT33S-XXX-L only.



To stack CAT Series valves, tie-rod mounting kits are required. Order kits separately from the menu below.

## Accessories

### Exhaust Plug

**59632-1** (10-32 Thread)

Plugs exhaust port to convert normally non-passing 3-way valve to 2-way.

NOTE: To make a normally passing 3-way valve to a 2-way valve requires a DC plug.

### Stacking Tie-Rod Kits

- 116345-2** 2 Valve Stack
- 116345-3** 3 Valve Stack
- 116345-4** 4 Valve Stack
- 116345-5** 5 Valve Stack
- 116345-6** 6 Valve Stack

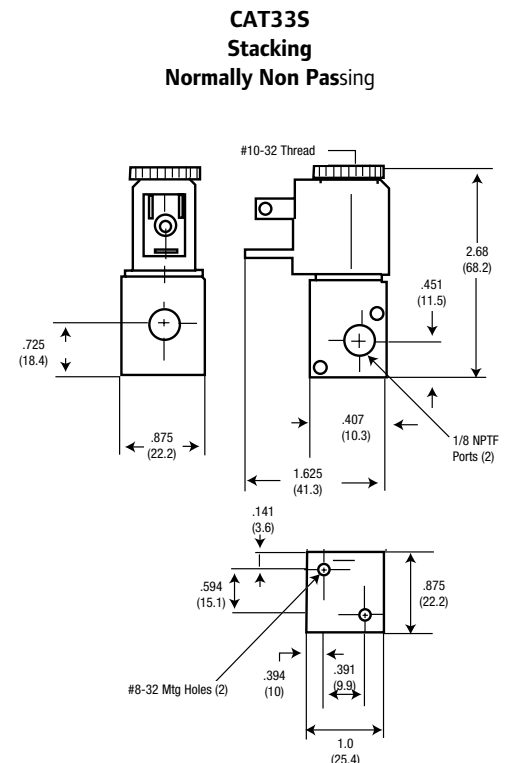
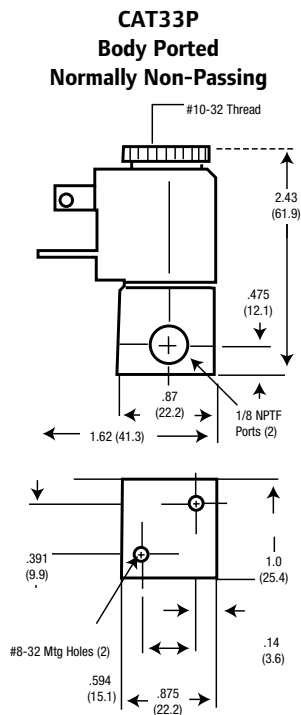
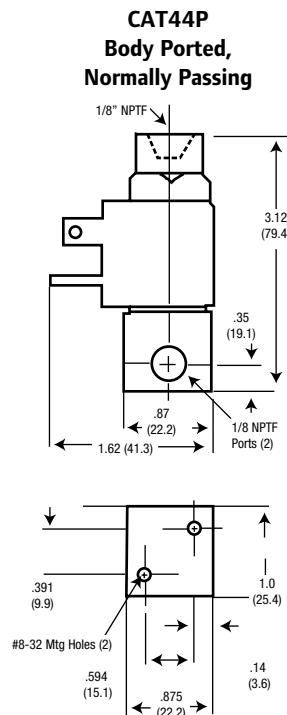
Tie-Rod Kits include tie rods, nuts, o-rings and a plug.



CAT Series Valve Stack and 116345-X Stacking Kit

## Dimensions

Dimensions given in Inches and (Millimeters)



# Cat Series

## Ordering

### High Flow Cat Valves

Model Number	Port Size	Valve Function	Body Style
CAT66P-XXX-X*	1/4"	Normally Closed	Ported
CAT77S-XXX-X*	1/4"	Normally Closed	Stacking
CAT88P-XXX-X*	1/4"	Normally Open	Ported
<b>Coil Voltage*</b> (for above model numbers)			
<b>012-D</b>	12 Volt DC		
<b>120-A</b>	120 Volt AC		
<b>024-D</b>	24 Volt DC		
<b>000-N</b>	No Coil		
<b>*012-L</b>	Low Watt DC		
<b>*024-L</b>	Low Watt DC		

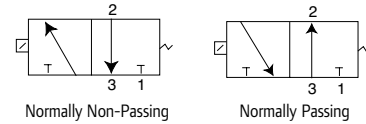
\* Available on normally closed valves only.



High Flow Cat Valve

## Performance Specifications

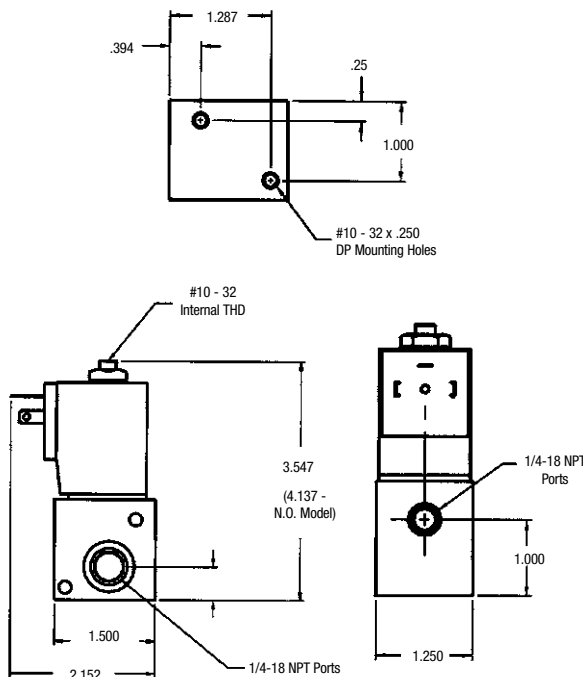
<b>Pressure Range:</b>	0 to 150 PSI
<b>Temperature Rating:</b>	0° to 122° F
<b>Operating Medium:</b>	Compressed Air
<b>High-Flow Valves:</b>	CAT66P: Cv = .2 (6.9 SCFM) CAT77S: Cv = .2 (6.9 SCFM) CAT88P: Cv = .2 (6.9 SCFM)



To stack CAT Series valves, tie-rod mounting kits are required.  
Order kits separately from the menu below.

## Dimensions

### High Flow Cat Valve



## Accessories

### High Flow Tie-Rod Kits

- Stacking Tie-Rod Kits
- 119698-2** (2 Stations)
  - 119698-3** (3 Stations)
  - 119698-4** (4 Stations)
  - 119698-5** (5 Stations)
  - 119698-6** (6 Stations)
  - 119698-7** (7 Stations)

### Connector

- CDW-30** 30-mm connector with wire.
- CSN-30** 30-mm connector, strain relief.
- CHW-30** 30-mm connector, molded cable.
- 119690-XX** See Page 69 for Coil information.

# Cat Series

## Ordering

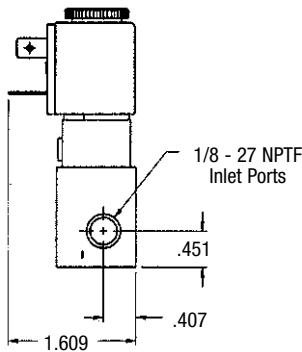
### Cat Valve Bar Manifold

Position	1		2
Example:	<b>CAT</b> <u>XX</u> <b>B</b>	-	XXX-X
Position 1 Number of Stations	Position 2 Coil Options		
<b>02</b> <b>07</b> <b>12</b>	<b>Code</b>	<b>Voltage</b> <b>Current</b>	<b>Code</b> <b>Voltage</b> <b>Current</b>
<b>03</b> <b>08</b> <b>13</b>	<b>000-N</b> Valve with No Coil		<b>120-A</b> 120 Volt AC
<b>04</b> <b>09</b> <b>14</b>	<b>012-A</b> 12 Volt AC		<b>120-D</b> 120 Volt DC
<b>05</b> <b>10</b> <b>15</b>	<b>012-D</b> 12 Volt DC		<b>240-A</b> 240 Volt AC
<b>06</b> <b>11</b> <b>16</b>	<b>024-A</b> 24 Volt AC		<b>012-L</b> 12 Volt Low Watt DC
	<b>024-D</b> 24 Volt DC		<b>024-L</b> 24 Volt Low Watt DC
See Page 69 for Connectors and other Coil options.			

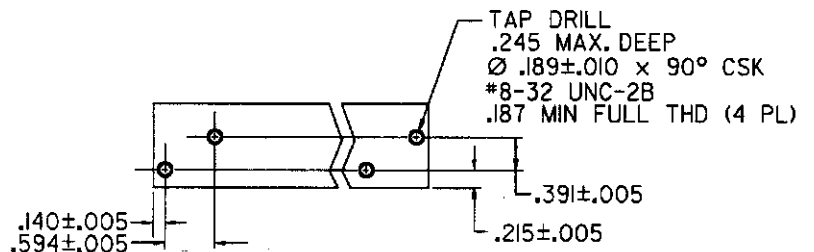
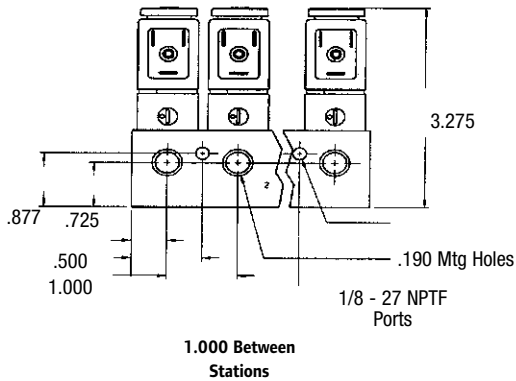
## Dimensions

Dimensions given in Inches and (Millimeters)

### Cat Valve Bar Manifold



Six-Station Cat Valve Bar Manifold



## Ordering

### Miniature 3-Way and 4-Way Valves

Model	Description
<b>P114400</b>	END PLATE FOR 3-WAY OR 4-WAY VALVE STACK
<b>114806</b>	MOUNTING BRACKET FOR INLINE VALVES
<b>114807</b>	ISOLATOR PLUG KIT FOR STACKING VALVES
<b>CSN-MICRO</b>	CONNECTOR, STRAIN RELIEF
<b>P251SS-012-D</b>	3-WAY BODY PORTED, LEAD WIRE, 12 DC
<b>P251SS-012-E</b>	3-WAY BODY PORTED, PLUG-IN, 12 DC
<b>P251SS-024-D</b>	3-WAY BODY PORTED, LEAD WIRE, 24 DC
<b>P251SS-024-E</b>	3-WAY BODY PORTED, PLUG-IN, 24 DC
<b>P251SS-120-A</b>	3-WAY BODY PORTED, LEAD WIRE, 120 AC
<b>P251SS-120-B</b>	3-WAY BODY PORTED, PLUG-IN, 120 AC
<b>P261SS-012-D</b>	3-WAY STACKING, LEAD WIRE, 12 DC
<b>P261SS-012-E</b>	3-WAY STACKING, PLUG-IN, 12 DC
<b>P261SS-024-D</b>	3-WAY STACKING, LEAD WIRE, 24 DC
<b>P261SS-024-E</b>	3-WAY STACKING, PLUG-IN, 24 DC
<b>P261SS-120-A</b>	3-WAY STACKING, LEAD WIRE, 120 AC
<b>P261SS-120-B</b>	3-WAY STACKING, PLUG-IN, 120 AC
<b>P211SS-012-D</b>	4-WAY BODY PORTED, LEAD WIRE, 12 DC
<b>P211SS-012-E</b>	4-WAY BODY PORTED, PLUG-IN, 12 DC
<b>P211SS-024-D</b>	4-WAY BODY PORTED, LEAD WIRE, 24 DC
<b>P211SS-024-E</b>	4-WAY BODY PORTED, PLUG-IN, 24 DC
<b>P211SS-120-A</b>	4-WAY BODY PORTED, LEAD WIRE, 120 AC
<b>P211SS-120-B</b>	4-WAY BODY PORTED, PLUG-IN, 120 AC
<b>P211SC-012-D</b>	4-WAY BODY PORTED W/SPEED CONTROL, LEAD WIRE, 12 DC
<b>P211SC-012-E</b>	4-WAY BODY PORTED W/SPEED CONTROL, PLUG-IN, 12 DC
<b>P211SC-024-D</b>	4-WAY BODY PORTED W/SPEED CONTROL, LEAD WIRE, 24 DC
<b>P211SC-024-E</b>	4-WAY BODY PORTED W/SPEED CONTROL, PLUG-IN, 24 DC
<b>P211SC-120-A</b>	4-WAY BODY PORTED W/SPEED CONTROL, LEAD WIRE, 120 AC
<b>P211SC-120-B</b>	4-WAY BODY PORTED W/SPEED CONTROL, PLUG-IN, 120 AC
<b>P221SS-012-D</b>	4-WAY STACKING, LEAD WIRE, 12 DC
<b>P221SS-012-E</b>	4-WAY STACKING, PLUG-IN, 12 DC
<b>P221SS-024-D</b>	4-WAY STACKING, LEAD WIRE, 24 DC
<b>P221SS-024-E</b>	4-WAY STACKING, PLUG-IN, 24 DC
<b>P221SS-120-A</b>	4-WAY STACKING, LEAD WIRE, 120 AC
<b>P221SS-120-B</b>	4-WAY STACKING, PLUG-IN, 120 AC
<b>P221SC-012-D</b>	4-WAY STACKING W/SPEED CONTROL, LEAD WIRE, 12 DC
<b>P221SC-012-E</b>	4-WAY STACKING W/SPEED CONTROL, PLUG-IN, 12 DC
<b>P221SC-024-D</b>	4-WAY STACKING W/SPEED CONTROL, LEAD WIRE, 24 DC
<b>P221SC-024-E</b>	4-WAY STACKING W/SPEED CONTROL, PLUG-IN, 24 DC
<b>P221SC-120-A</b>	4-WAY STACKING W/SPEED CONTROL, LEAD WIRE, 120 AC
<b>P221SC-120-B</b>	4-WAY STACKING W/SPEED CONTROL, PLUG-IN, 120 AC



3-Way Body Ported



4-Way Body Ported



4-Way Body Ported with Speed Controls



3-Way and 4-Way Stacking Valves



#### 114806 Mounting Bracket

Kit is designed for use with both 3-Way and 4-Way valves. Kit consists of a bracket, two #6-32 screws, and two nuts.



#### P114400 End Plate Kit

Kit consists of two end plates, two o-rings, and two bolts. One kit required for each valve stack. Can be used for 3-Way or 4-Way valves, or any combination of valves.



#### CSN-MICRO Connector

Plug-in DIN type connector conforms to Industrial Micro Type C. Order separately.

#### 114807 Isolator Plug Kit

Kit consists of two plugs. Plugs can be used on stacking valves to convert 4-ways to 3-ways, or 3-ways to 2-ways. Also can be used to provide multiple pressures to a valve stack.

# Premair

## 3-Way Valves

- Quick Response
- Direct Acting/Single Solenoid
- Non-Locking Manual Override
- Continuous Duty Coil
- 1/8" NPT
- 2-Position/Spring Return
- Can be used as a Diverter or Selector Valve

## 4-Way Valves

- Quick Response
- Can be used in a variety of 2-, 3-, and 4-Way functions
- Direct Acting/Single Solenoid
- Non-Locking Manual Override
- Continuous duty Coil
- 1/8" NPT
- 2-Position/Spring Return
- Optional Built-In Dual Flow Controls

## Performance Specifications

**Port Size-NPT**

**Media**

**Operating Pressure**

**Ambient Temperature Range**

**Cv Factor**

**Coil Rated Voltage**

**Allowable Voltage Fluctuation**

**Coil Insulation Type**

**Power Consumption**

**Electrical Entry**

**Manual Override**

**Materials**

**Response Time (On/Off)**

**Max. Cycle Rate**

**SCFM @ 100 PSIG**

**Leak Rate (Max. Allowed)**

**Lubrication**

**Weight**

1/8" NPT

Air or Inert Gas

3-Way, 0 to 125 PSI

4-Way, Vac to 125 PSI

32 to 125 F (0 to 50 C)

.144

120VAC (50/60Hz); 12, 24 VDC

+ or - 10% of Rated Voltage

Class B Rated, 100% Duty Cycle

DC 4.5 Watts

24" Lead Wire (22 AWG)

Plug-In DIN Connector

(Industrial Micro Type C)

Yes, Top of Coil, Non-Locking

Seals; Buna-N, Coil: Acetal

Body; Aluminum, Brass and Stainless

.012/.010 (DC), .012/.020 (AC) Sec.

2700 (DC), 1875 (AC)

>10

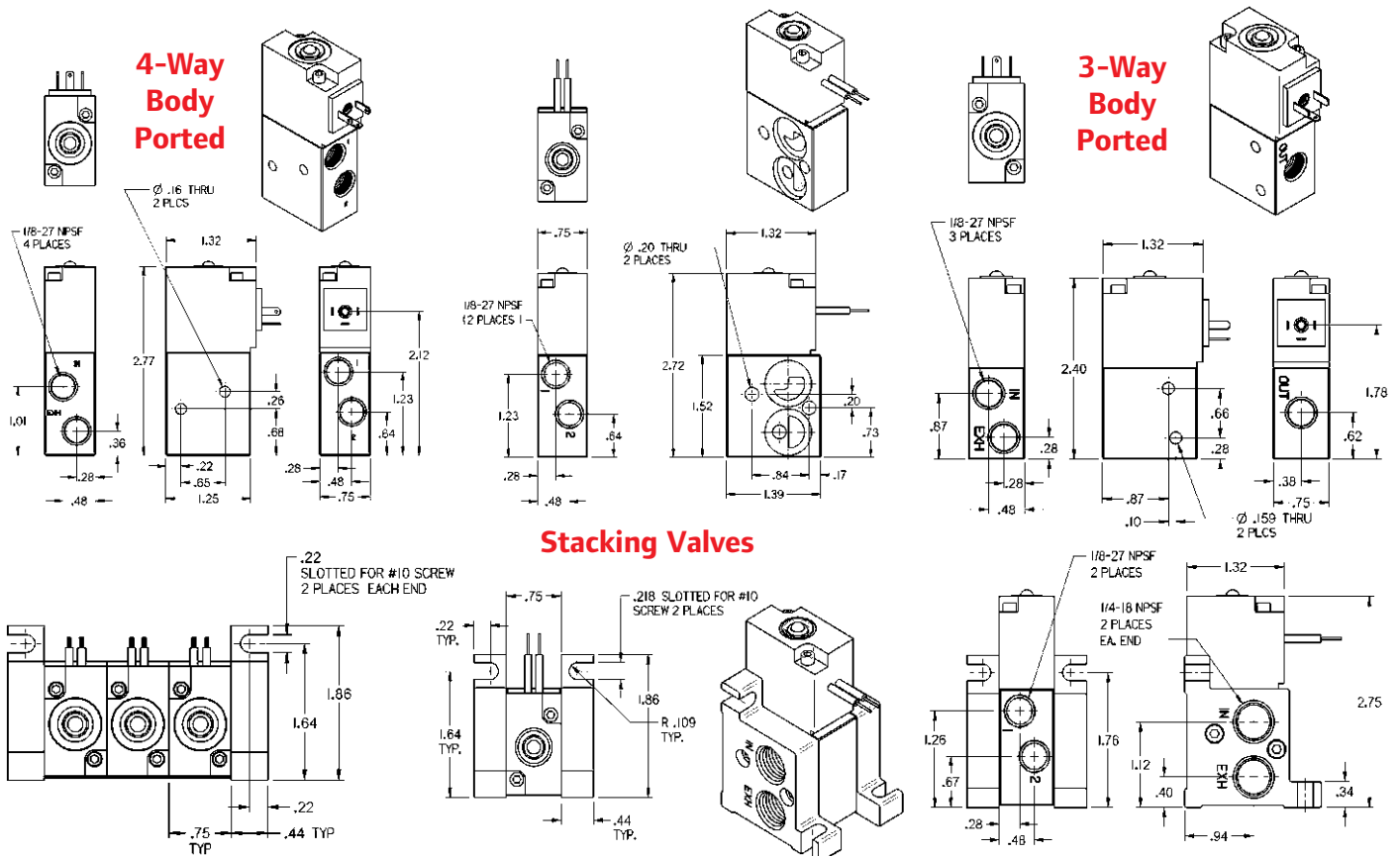
4cc/Min. @ 100 PSIG

None Required, Factory Pre-Lubed

3-Way; .26 lbs (116g)

4-Way; .28 lbs. (128g)

## Dimensions



# MaxAir

## 2-Way Direct Acting Solenoid Valves

- Valves are direct acting, normally closed for fast response and are excellent for low operating pressure applications
- Die-cast brass body, stainless steel stem and buna-n diaphragm provide excellent durability
- Suitable for use with water, air, lightweight oil, liquid gas and vacuum\*
- Available with 12 VDC, 24 VDC & 120VAC coils

## 2-Way Solenoid/Pilot Acting Valves

- Valves are internally piloted, normally closed & are excellent for high flow applications
- Die-cast brass body, stainless steel stem and buna-n diaphragm provide excellent durability
- Suitable for use with water, air, lightweight oil and liquid gas
- Available with 12 VDC, 24 VDC and 120VAC coils

## 2-Way Stainless Steel Solenoid/Pilot Acting Valves

- Valves are internally piloted, normally closed and are excellent for high flow applications
- #304 stainless steel body, stainless steel stem and viton diaphragm provide excellent durability
- Suitable for use with beverage dispensing, water, air, lightweight oil, liquid gas and most chemical liquids
- Available with 12 VDC, 24 VDC & 120VAC coils



TB034B-120-A

TB066B-120-A



TB04EB-120-A



TS04EV-120-A

Model No.	Port Size	Orifice	Cv	SCFM	Pressure Range (PSI)
<b>2-Way Direct Acting Solenoid Valves</b>					
<b>TB011B-XXX-X</b>	1/8" NPT	3/64" (1.2mm)	0.1	3	AC = 120, DC = 100
<b>TB022B-XXX-X</b>	1/4" NPT	3/32" (2.3 mm)	0.18	5	AC = 120, DC = 100
<b>TB034B-XXX-X</b>	3/8" NPT	5/16" (8.0 mm)	1.0	28	AC = 140, DC = 100
<b>TB035B-XXX-X</b>	3/8" NPT	33/64" (13 mm)	4.5	126	AC = 120, DC = 100
<b>TB045B-XXX-X</b>	1/2" NPT	33/64" (13 mm)	4.5	126	AC = 120, DC = 100
<b>TB066B-XXX-X</b>	3/4" NPT	25/32" (20 mm)	8.6	240	AC = 120, DC = 85
<b>TB087B-XXX-X</b>	1" NPT	1" (25 mm)	11	308	AC = 100, DC = 70
<b>2-Way Solenoid/Pilot Acting Valves</b>					
<b>TB03EB-XXX-X</b>	3/8" NPT	33/64" (13 mm)	4.5	126	10-150
<b>TB04EB-XXX-X</b>	1/2" NPT	33/64" (13 mm)	4.5	126	10-150
<b>TB06HB-XXX-X</b>	3/4" NPT	1" (25 mm)	12	336	10-150
<b>TB08HB-XXX-X</b>	1" NPT	1" (25 mm)	12	336	10-150
<b>TB12JB-XXX-X</b>	1-1/4" NPT	1-1/2" (38 mm)	22	615	10-150
<b>TB14JB-XXX-X</b>	1-1/2" NPT	1-1/2" (38 mm)	22	615	10-150
<b>2-Way Stainless Steel Solenoid/Pilot Acting Valves</b>					
<b>TS03EV-XXX-X</b>	3/8" NPT	33/64" (13 mm)	4.5	126	10-150
<b>TS04EV-XXX-X</b>	1/2" NPT	33/64" (13 mm)	4.5	126	10-150
<b>TS06HV-XXX-X</b>	3/4" NPT	1" (25 mm)	12	336	10-150
<b>TS08HV-XXX-X</b>	1" NPT	1" (25 mm)	12	336	10-150
<b>TS12JV-XXX-X</b>	1-1/4" NPT	1-1/2" (38 mm)	22	615	10-150
<b>TS14JV-XXX-X</b>	1-1/2" NPT	1-1/2" (38 mm)	30	839	10-150
<b>TS20KV-XXX-X</b>	2" NPT	2" (50 mm)	48	1343	10-150

## Ordering

(Replace XXX-X with voltage requirement)

**000-N** No Coil

**012-D** 12 VDC

**024-D** 24 VDC

**024-A** 24 VAC

**120-A** 120 VAC

## Performance Specifications

**Temperature Range:** 0° - 180° F

**Duty Cycle:** 100%

**Power Consumption:** 22 VA

**Response Time:** 30 ms

50 ms

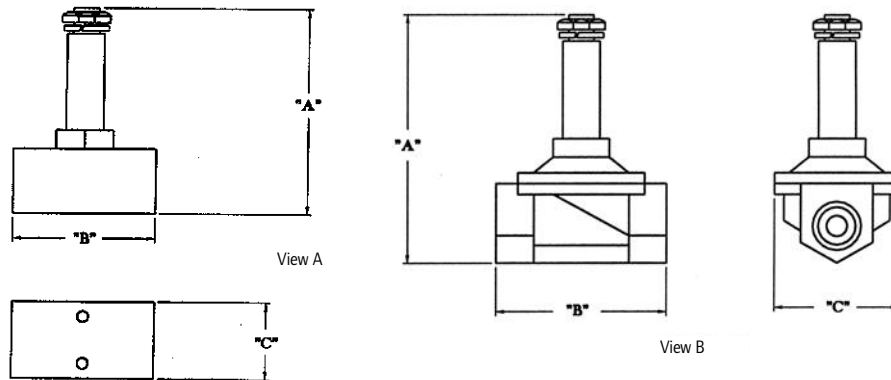
NOTE: Connector is to be ordered separately. See page 69 for ordering information.

\* Vacuum operation only available with TB011B-X, TB022B-X and TB034B-X.



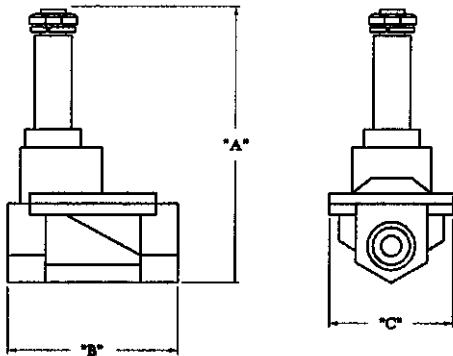
# MaxAir

## 2-Way Direct Acting



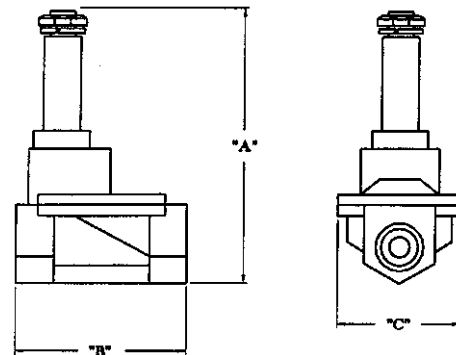
P/N	View	"A"	"B"	"C"	Port Size	Repair Kit
<b>TB011B-XXX-X</b>	A	2.835	.866	.866	1/8	-
<b>TB022B-XXX-X</b>	A	2.972	1.378	1.000	1/4	-
<b>TB034B-XXX-X</b>	A	3.130	2.165	1.181	3/8	-
<b>TB035B-XXX-X</b>	B	4.232	2.618	1.890	3/8	SKT035B
<b>TB045B-XXX-X</b>	B	4.232	2.618	1.890	1/2	SKT045B
<b>TB066B-XXX-X</b>	B	4.449	2.795	2.283	3/4	SKT066B
<b>TB087B-XXX-X</b>	B	4.921	3.780	2.756	1	SKT087B

## 2-Way Solenoid/Pilot Acting



P/N	"A"	"B"	"C"	Port Size	Repair Kit
TB03EB-XXX-X	4.193	2.618	1.890	3/8	SKT03EB
TB04EB-XXX-X	4.193	2.618	1.890	1/2	SKT04EB
TB06HB-XXX-X	4.961	3.780	2.756	3/4	SKT06HB
TB08HB-XXX-X	4.961	3.780	2.756	1	SKT08HB
TB12JB-XXX-X	5.728	5.157	3.780	1-1/4	SKT12JB
TB14JB-XXX-X	5.728	5.157	3.780	1-1/2	SKT14JB

## 2-Way Stainless Steel



P/N	"A"	"B"	"C"	Port Size	Repair Kit
TS03EV-XXX-X	4.193	2.618	1.890	3/8	SKT03EV
TS04EV-XXX-X	4.193	2.618	1.890	1/2	SKT04EV
TS06HV-XXX-X	4.980	3.937	2.756	3/4	SKT06HV
TS08HV-XXX-X	4.980	3.937	2.756	1	SKT08HV
TS12JV-XXX-X	5.728	5.157	3.780	1-1/4	SKT12JV
TS14JV-XXX-X	5.728	5.157	3.780	1-1/2	SKT14JV
TS20KV-XXX-X	6.319	6.299	4.409	2	SKT20KV

# 50 Series

## Features

### 50 Series 3-Way & 4-Way Valves

- Numerous Styles and Options
  - 3-Way or 4-Way Configurations
- Six Actuator Styles.
  - Hand Lever      Cam Stem
  - Palm Button     Pilot
  - Roller Cam      Manual Bleed
- Compact Size provides greater design flexibility
- Perfect for low to moderate flow applications requiring manual or mechanical valve operation

### Comprehensive Valve Design

#### Aluminum Body

50 Series Valves feature an extruded aluminum body for less porosity, greater durability and lighter weight.

#### Body Threaded Ports

Port threads are 1/8" NPTF

#### Buna N Seals

The standard spool seals are Buna N.

For high temperature applications, Viton seals are available.

Consult the factory for ordering information.

#### Sturdy Valve Spools

Spools are steel on mechanical and manually actuated valves.

Pilot and bleed actuator valves feature aluminum spools.



Hand Lever



Palm Button



Roller Cam



Cam Stem



Pilot



Manual Bleed

# 50 Series

## Ordering

### 3-Way and 4-Way Valves

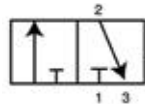
Position	1	2	3		4
Example:	50	X	X	-	XX

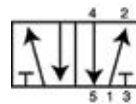
Position 1 Series	Position 2 Valve Function	Position 3 Body Style	Position 4 Actuation/Return			
50 50 Series	3 3-Way	0 1/8" Side Ports 1* 1/8" Side Ports with panel mounting  <small>*Available only with Palm Button Actuators (02, 12, 21, 32, 41)</small>	<b>Code</b>	<b>Actuator/Return</b>	<b>Code</b>	<b>Actuator/Return</b>
	4 4-Way		01 Hand Lever/Spring	05 Roller Cam/Spring		
			10 Hand Lever/Manual	10 06 Cam Stem/Spring	24 06 Cam Stem/Pilot	
			20 Hand Lever/Pilot	02 Palm Button/Spring	07 Palm Button/Spring	
			02 Palm Button/Spring	12 Palm Button/Manual	35 Palm Button/Spring	
			12 Palm Button/Manual	21 Palm Button/Pilot	33 Manual Bleed/Manual Bleed	
			21 Palm Button/Pilot	32 Palm w/o Button/Manual		
			32 Palm w/o Button/Manual	41 Palm w/o Button/Pilot		
			41 Palm w/o Button/Pilot			

### Optional Palm Buttons

Code	Description
13111	Plastic, Black
119243	Metal, Plain
119244	Metal, Red
119245	Metal, Green
MP3651-7	Plastic, Red
<b>For 32 or 41 Actuators</b>	



3-Way



4-Way

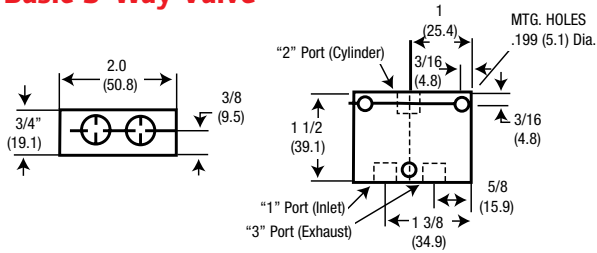
## Performance Specifications

<b>Pressure Range:</b>	20-150 PSI Max. 50-150 PSI Max. (Manual Bleed Actuator)
<b>Flow:</b>	16 SCFM
<b>Cv Factor:</b>	.43 Cv
<b>Temperature Rating:</b>	-10° to 180°F (-23° to 82°C)
<b>Minimum Pilot Pressure:</b>	30 PSI (2.1 Bar) Pilot Return 60 PSI (4.2 Bar) Pilot Actuator/Spring Return Valves
<b>Lubrication:</b>	Valves use O-ring seals. For maximum performance and life expectancy, standard air line lubrication should be used.

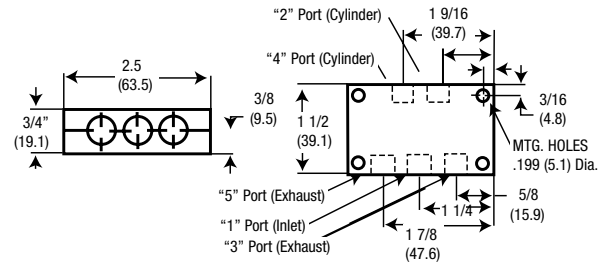
# 50 Series

➤ **Dimensions** Dimensions given in Inches and (Millimeters)

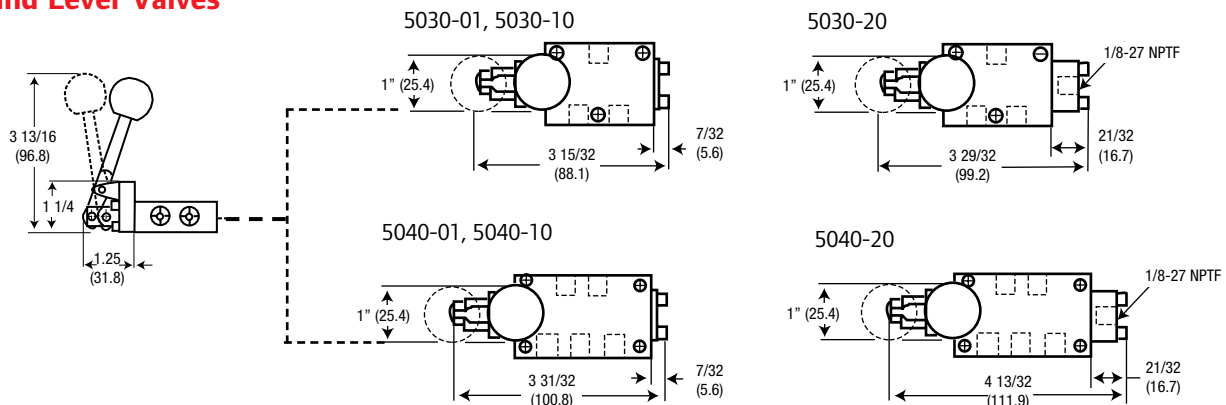
## Basic 3-Way Valve



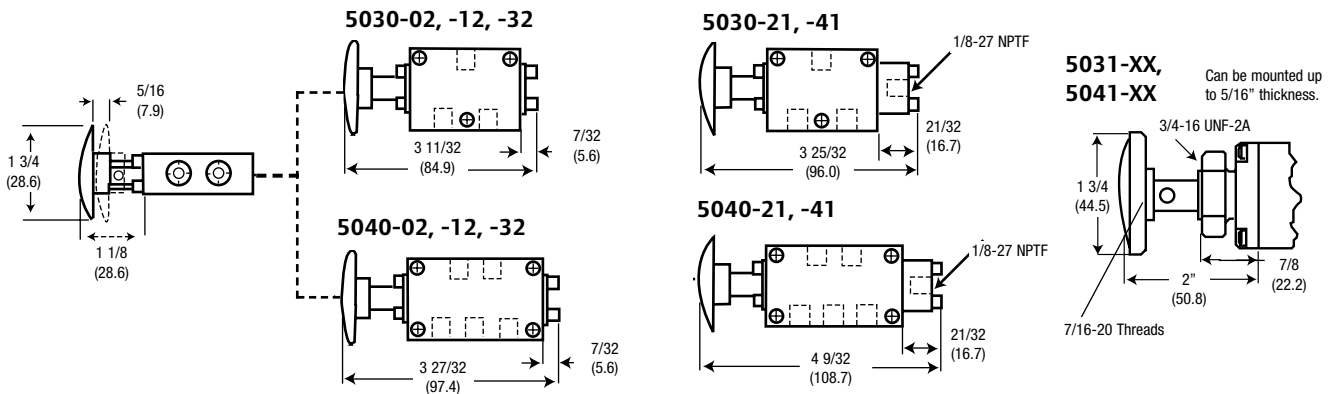
## Basic 4-Way Valve



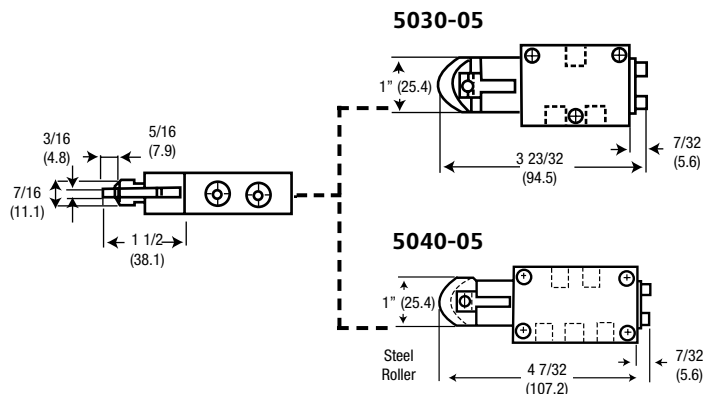
## Hand Lever Valves



## Palm Button Valves

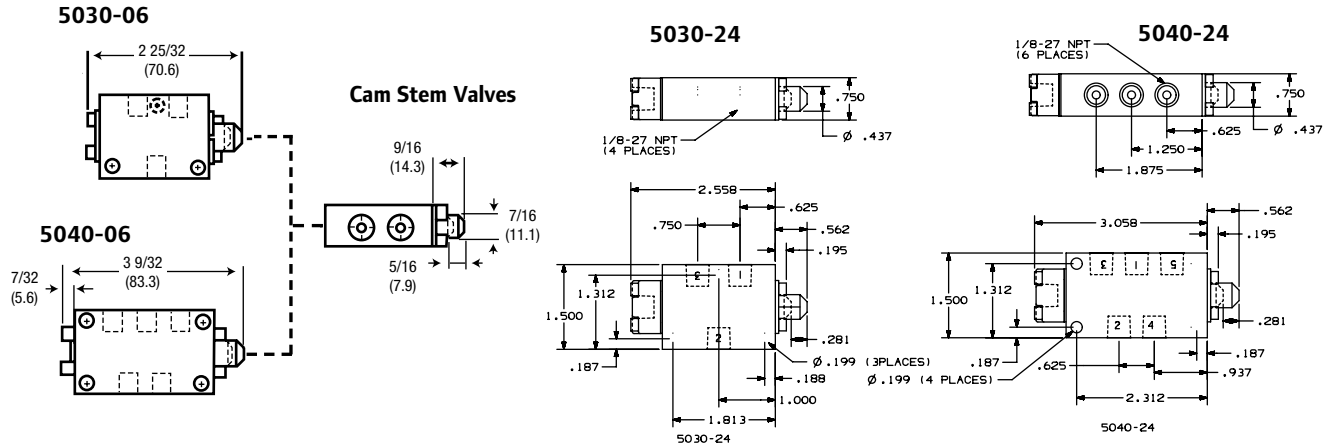


## Roller Cam Valves

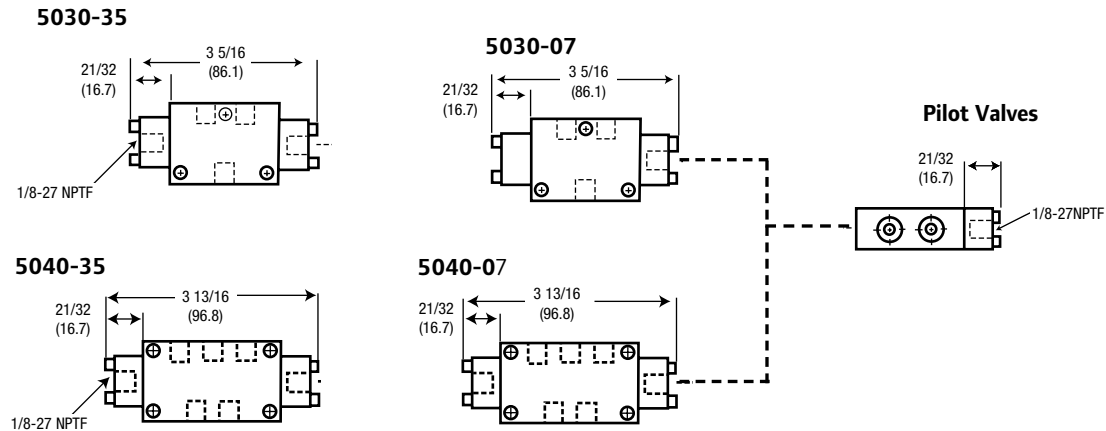


# 50 Series

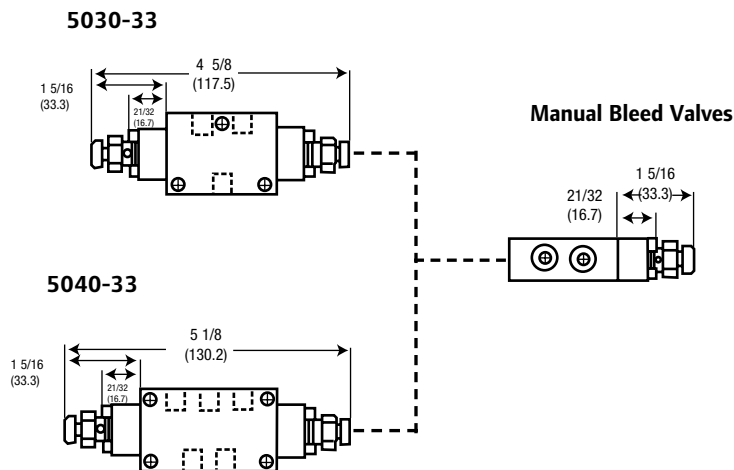
## Cam Stem Valves



## Pilot Valves



## Manual Bleed Valves



# MaxAir

## Features

### 3-Way and 4-Way Hand Lever Valves 1/4" and 3/8" NPT Ports

- Light weight aluminum bodies and Buna-N seals are standard
- Ideal for packaging, material handling and air motor applications.
- Hand levers available with lever parallel or perpendicular to valve body.
- Parallel lever can be manifold mounted.
- See pg. 14 for manifold ordering information.
- 1/4" perpendicular hand lever valves can be panel mounted.



Perpendicular Lever / Spring Return



Perpendicular Lever / Manual Return

## Performance Specifications

<b>Cv (Lever)</b>	1/4" = .70, 3/8" = 1.14
<b>Operating Medium</b>	Non-lubricated or lubricated air
<b>Pressure Range</b>	20 -140 PSI
<b>Temperature Range</b>	15° to 122°F (-10° to 50°C)
<b>Port Size NPT</b>	1/4", 3/8"
<b>Filtration</b>	40 micron recommended

## Ordering

Model	Description
<b>Levers Perpendicular to Body</b>	
M212LM	1/4", 4-Way, 2-Position, Lever/Manual
M212LS	1/4", 4-Way, 2-Position, Lever/Spring
M312LS	1/4", 4-Way, 3-Position, All Ports Blocked
M213LS	3/8", 4-Way, 2-Position, Lever/Spring
M213LM	3/8", 4-Way, 2-Position, Lever/Manual
M252LM	1/4", 3-Way, 2-Position, Lever/Manual
M252LS	1/4", 3-Way, 2-Position, Lever/Spring
<b>Levers Parallel to Body</b>	
M212LM-R	1/4", 4-Way, 2-Position, Lever/Manual
M212LS-R	1/4", 4-Way, 2-Position, Lever/Spring



Parallel Levers



Panel Mounting is standard on  
1/4" NPT Perpendicular Valves

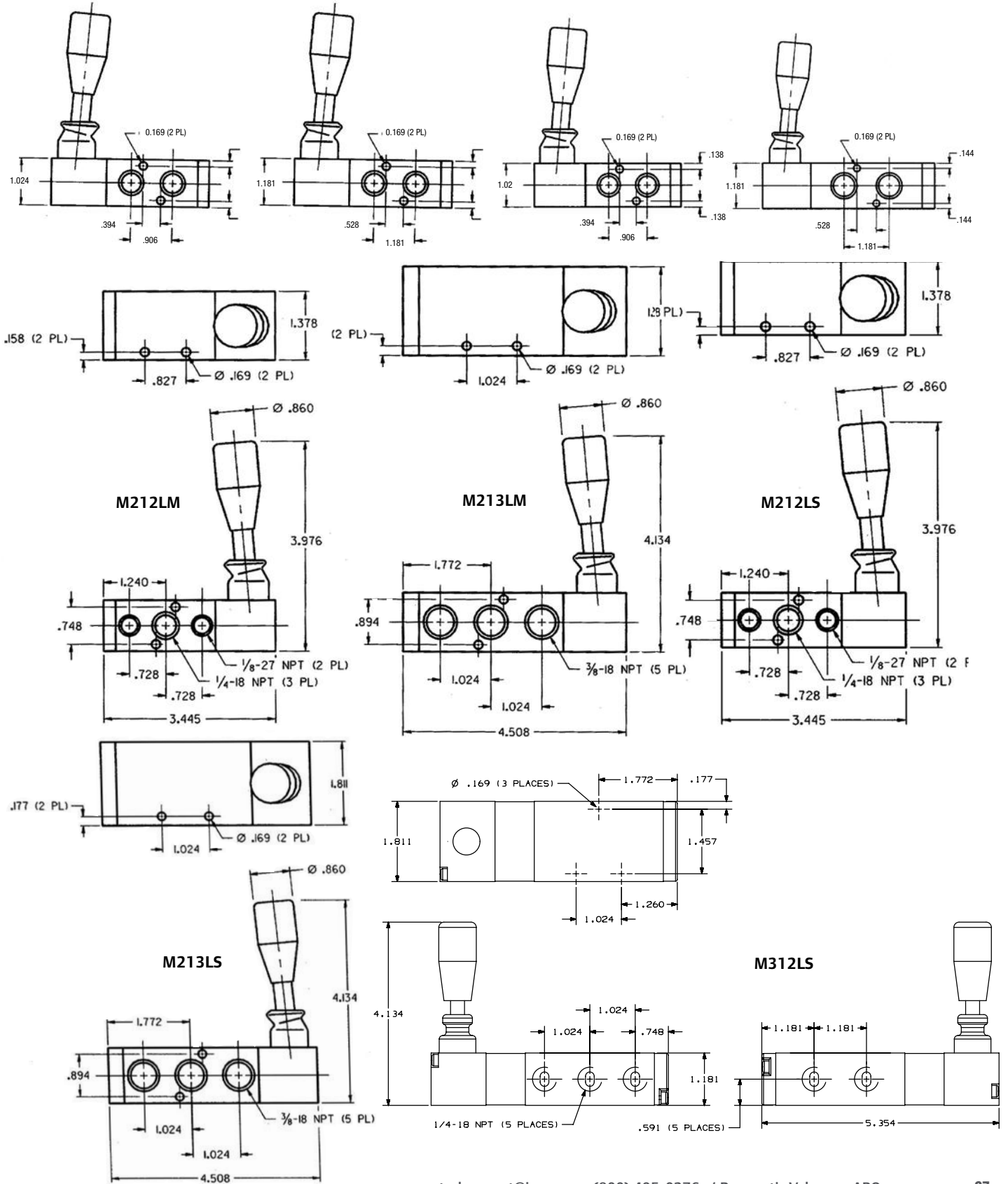
## Replacement Accessories

Model	Description
114420	Black Knob
114421	Red Knob
114418	Boot for 1/4" Valve
114419	Boot for 3/8" Valve
114822	Lever

# MaxAir

## Dimensions

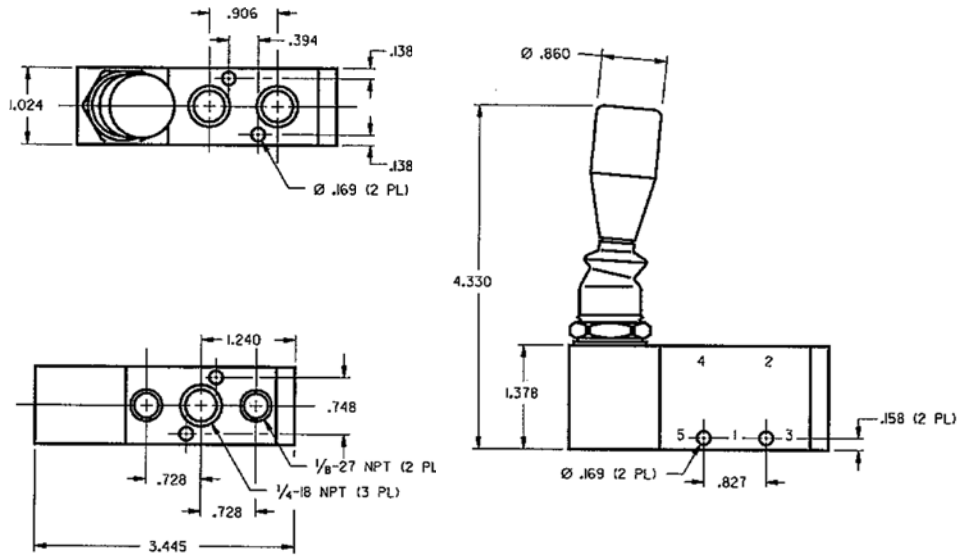
### 4-Way Hand Lever (Perpendicular)



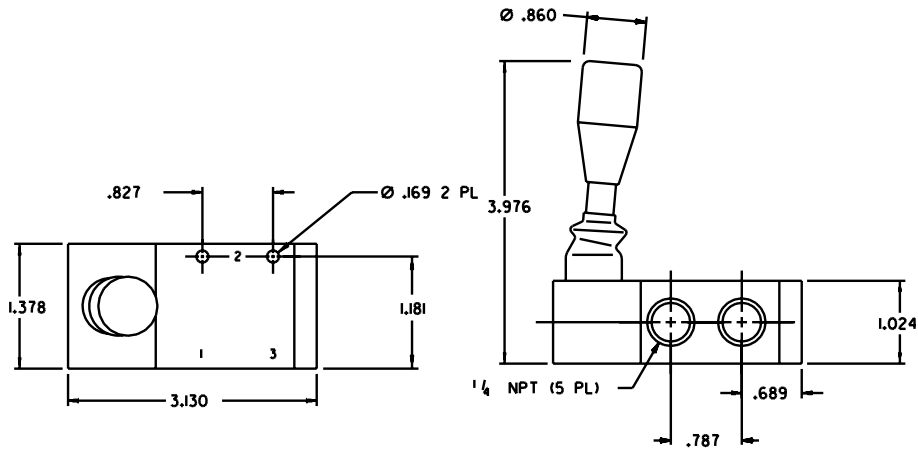
# MaxAir

## Dimensions

### 4-Way Hand Lever (Parallel)



### 3-Way Hand Lever (Perpendicular)





# MaxAir

## Features

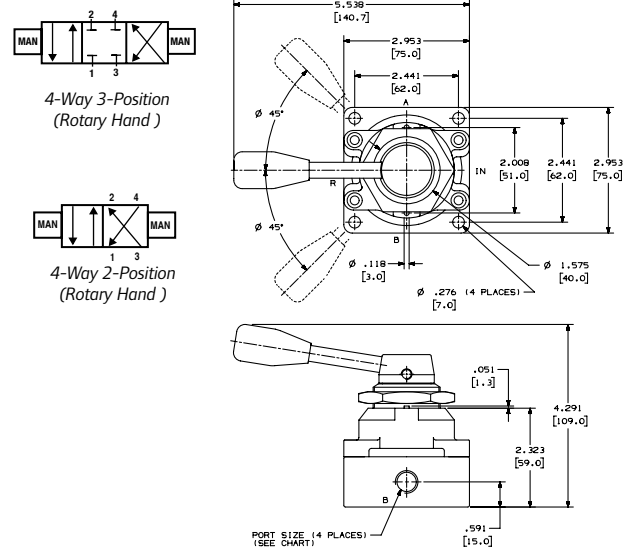
### 4-Way, 2 & 3-Position Rotary Lever Valves 1/4" & 3/8" 1/2" NPT Ports

- Light weight aluminum bodies and Buna-N seals are standard
- Ideal for packaging, material handling and air motor applications.
- Rotary lever valve is a 3-position, all ports blocked, manual return.
- Panel mount nut is supplied as standard.



## Performance Specifications

<b>SCFM</b>	1/4" = 40, 3/8" = 65, 1/2" = 85
<b>Cv (Rotary Lever)</b>	1/4" = 1.25, 3/8" = 2.0, 1/2" = 2.4
<b>Operating Medium</b>	Non-lubricated or lubricated air
<b>Pressure Range</b>	20 -140 PSI
<b>Temperature Range</b>	15° to 122°F (-10° to 50°C)
<b>Port Size NPT</b>	1/4", 3/8", 1/2"
<b>Filtration</b>	40 micron recommended



## Ordering

Model	Description
<b>M112LR</b>	1/4", 4-Way, 2-Position, Manual
<b>M113LR</b>	3/8", 4-Way, 2-Position, Manual
<b>M114LR</b>	1/2", 4-Way, 2-Position, Manual
<b>M512LR</b>	1/4", 4-Way, 3-Position, Manual
<b>M513LR</b>	3/8", 4-Way, 3-Position, Manual
<b>M514LR</b>	1/2", 4-Way, 3-Position, Manual

## Features

### 3-Way & 4-Way Foot Pedal Valves

- Rugged aluminum alloy housing and pedal provide excellent durability and are light weight
- Valves are available with a mechanical detent or as spring return
- Mechanical detent 3-way and 4-way valves have a guard for applications where accidental actuation may result in injury or damage
- Guard is safety yellow composite construction



M252FS  
Foot Pedal Valve



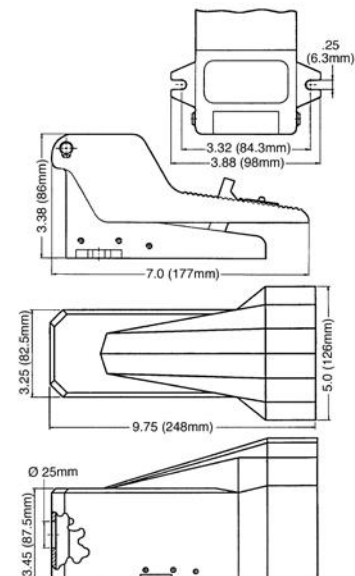
Foot Pedal Valve  
Shown with Guard

## Performance Specifications

<b>Port Size:</b>	1/4" NPT
<b>Pressure Range:</b>	30-150 PSI
<b>Temperature Range:</b>	32° to 160°F (0° to 71°C)
<b>Media</b>	Compressed Air

## Ordering

Model	Description
<b>M252FS</b>	3-Way, Spring Return, No Guard
<b>M212FS</b>	4-Way, Spring Return, No Guard
<b>M252TM</b>	3-Way, Mechanical Detent, With Guard
<b>M212TM</b>	4-Way, Mechanical Detent, With Guard
<b>114417</b>	Guard only
<b>M252TS</b>	3-Way, Spring Return, With Guard
<b>M212TS</b>	4-Way, Spring Return, With Guard
<b>114645</b>	Clip (Foot Pedal)



# MaxAir

## Features

- Rugged aluminum body is lightweight and durable.
- Valves are available with roller cam, cam stem, push button, or selector, with spring return.
- Ideal for sensing the position and controlling moving devices such as cylinders, slides and gates.
- 1/4" 3-way valves can be plumbed to perform as normally passing, normally non-passing, or selector. 1/8" 3-way can only be used as normally non-passing.
- Stock the basic cam stem valve and a selection of actuators to meet most application needs.



M291CS



M291RS



M291HS-10

## 3-Way, 1/8"

### Performance Specifications

<b>Port size:</b>	1/8" NPT
<b>Pressure Range:</b>	0-150 PSI
<b>Temperature Range:</b>	32-160 F (0-71 C)
<b>Media:</b>	Compressed Air
<b>Flow:</b>	C <sub>v</sub> =.2, 8 scfm



M252CS



M252RS



M252HS-10

## 3-Way, 1/4"

### Performance Specifications

<b>Port size:</b>	1/4" NPT
<b>Pressure Range:</b>	0-150 PSI
<b>Temperature Range:</b>	32-160 F (0-71 C)
<b>Media:</b>	Compressed Air
<b>Flow:</b>	C <sub>v</sub> =.7, 26 scfm



M212CS



M212RS



M212HS-10

## 4-Way, 1/4"

### Performance Specifications

<b>Port size:</b>	1/4" NPT
<b>Pressure Range:</b>	0-150 PSI
<b>Temperature:</b>	32-160 F (0-71 C)
<b>Media:</b>	Compressed Air
<b>Flow:</b>	C <sub>v</sub> =.7, 26 scfm

# MaxAir



M291HS-15



M291HS-11



M291HS-13



M291LS-10



M291LS-11



M291LS-10-2

## Ordering - 3-Way, 1/8" NPT

### Complete Models Basic Valves

<b>M291HS-17</b>	3-Way, Standard Palm Button, Spring Return (Green)
<b>M291HS-10</b>	3-Way, Standard Palm Button, Spring Return (Red)
<b>M291HS-15</b>	3-Way, Palm Button w/Detent, Spring Return
<b>M291HS-11</b>	3-Way, Palm without Guard, Spring Return
<b>M291HS-13</b>	3-Way, Palm w/Guard, Spring Return
<b>M291LS-10</b>	3-Way, Standard Selector, Manual
<b>M291LS-11</b>	3-Way, Long Knob Selector, Manual
<b>M291RS</b>	3-Way, Roller Lever, Spring Return
<b>M291CS</b>	Basic Valve, 3-Way, Cam Stem, Spring Return
<b>M291LS-10-2</b>	3-Way, Two Valve Kit (Both valves actuate at same time)

### Actuators Only

<b>114597-10</b>	Standard Palm Button Actuator (Red)
<b>114597-11</b>	Palm Button without Guard (Red)
<b>114597-13</b>	Palm Button w/Guard (Red)
<b>114597-15</b>	Palm Button w/Detent (e-stop) (Red)
<b>114598-10</b>	Standard Knob (Black)
<b>114598-11</b>	Long Knob (Black)
<b>114599</b>	Roller Lever
<b>114597-17</b>	Standard Palm Button Actuator (Green)



M252HS-15



M252HS-11



M252HS-13



M252LS-10



M252LS-11

## Ordering - 3-Way, 1/4" NPT

### Complete Models

<b>M252HS-17</b>	3-Way, Standard Palm Button, Spring Return (Green)
<b>M252HS-10</b>	3-Way, Standard Palm Button, Spring Return (Red)
<b>M252HS-15</b>	3-Way, Palm Button w/Detent
<b>M252HS-11</b>	3-Way, Palm without Guard, Spring Return
<b>M252HS-13</b>	3-Way, Palm w/Guard, Spring Return
<b>M252LS-10</b>	3-Way, Standard Selector, Manual
<b>M252LS-11</b>	3-Way, Long Knob Selector, Manual
<b>M252RS</b>	3-Way, Roller Lever, Spring Return
<b>M252CS</b>	Basic Valve, 3-Way, Cam Stem, Spring Return

### Actuators Only

<b>114597-10</b>	Standard Palm Button Actuator (Red)
<b>114597-11</b>	Palm Button without Guard (Red)
<b>114597-13</b>	Palm Button w/Guard (Red)
<b>114597-15</b>	Palm Button w/Detent (e-stop) (Red)
<b>114598-10</b>	Standard Knob (Black)
<b>114598-11</b>	Long Knob (Black)
<b>114599</b>	Roller Lever
<b>114597-17</b>	Standard Palm Button Actuator (Green)



M212HS-15



M212HS-11



M212HS-13



M212LS-10



M212LS-11

## Ordering - 4-Way, 1/4" NPT

### Complete Models

<b>M212HS-17</b>	4-Way, Standard Palm Button, Spring Return (Green)
<b>M212HS-10</b>	4-Way, Standard Palm Button, Spring Return (Red)
<b>M212HS-15</b>	4-Way, Palm Button w/Detent, Spring Return
<b>M212HS-11</b>	4-Way, Palm without Guard, Spring Return
<b>M212HS-13</b>	4-Way, Palm w/Guard, Spring Return
<b>M212LS-10</b>	4-Way, Standard Selector, Manual
<b>M212LS-11</b>	4-Way, Long Knob Selector, Manual
<b>M212RS</b>	4-Way, Roller Lever, Spring Return
<b>M212CS</b>	Basic Valve, 4-Way, Cam Stem, Spring Return

### Actuators Only

<b>114597-10</b>	Standard Palm Button Actuator (Red)
<b>114597-11</b>	Palm Button without Guard (Red)
<b>114597-13</b>	Palm Button w/Guard (Red)
<b>114597-15</b>	Palm Button w/Detent (e-stop) (Red)
<b>114598-10</b>	Standard Knob (Black)
<b>114598-11</b>	Long Knob (Black)
<b>114599</b>	Roller Lever
<b>114597-17</b>	Standard Palm Button Actuator (Green)

# E Series

## Features

### 3-Way and 4-Way Valves

#### Several Styles and Options

- 3-Way or 4-Way Configurations. 2-and 3-position configurations.

#### Numerous Actuator Styles

Manual	Mechanical	Electric	Pneumatic
Hand Lever	Cam Stem	Single Solenoid	Pilot
Palm Button	Roller Cam	Double Solenoid	Bleed
Pedal			
Treadle			

#### Many Performance Features

- Buna-N spool seals are standard. Viton seals are available for high temperature applications. Consult the factory for ordering information.
- The E Series Valve has a low profile. An extruded aluminum body provides excellent durability and lighter weight.
- An External Solenoid Supply Port allows service in low pressure applications. This requires a #116153 plug Kit. See Page 47 for operation and ordering information.

#### Solenoid Override

- Manual locking override is standard on solenoid models. Turn override to operate.
- Solenoid override is a convenient means to set-up and trouble shoot circuits. Air pressure at the solenoid exhaust will also override the solenoid.

#### Coils

## Performance Specifications

**Flow:** 26 SCFM

**Cv Factor:** .70 Cv

**Temperature Ratings:** -10° to 180° F (-23° to 82° C)

**Weight:** Solenoid Valves 1.8 to 3.4 oz. (.82 to 1.5 g)  
Non-Solenoid Valves .7 to 1.3 oz (.32 to .6 g)

**Lubrication:** Valves use O-ring seals. For maximum performance and life expectancy, standard air line lubrication should be used.

	Pressure Range PSI (Bar)	Minimum Pilot Pressure PSI (Bar)
<b>Manual Actuators</b>		
Manual, Spring, and Spring Centered Returns	20 -150 (1.4 - 10.2)	
<b>Mechanical Actuators</b>		
Manual, Spring, and Spring Centered Returns	20 -150 (1.4 - 10.2)	
<b>Electric Actuators</b>		
Spring Return	30-150 (2-10.2)	
Spring Centered Return	35-150 (2.4-10.2)	
Solenoid Return	20-150 (1.4-10.2)	
<b>Pneumatic Actuators</b>		
Pilot/Spring Return	20-150 (1.4-10.2)	30 (2)
Pilot/Spring Centered	20-150 (1.4-10.2)	35 (2.4)
Pilot/Pilot Return	20-150 (1.4-10.2)	15 (1)
Bleed/Spring Return	20-150 (1.4-10.2)	
Bleed/Bleed	20-150 (1.4-10.2)	



Hand Lever



Palm Button



Pedal



Treadle



Cam Stem



Roller Cam



Solenoids



Pilot



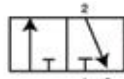
Bleed

# E Series

## Ordering

Position	1	2	3	4	5		6		7
Example:	<b>E</b>	X	X	2	XX	-	XXX	-	X

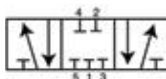
Position 1 Body Style	Position 2 Valve Type	Position 3 Body Style	Position 4 Port Size	Position 5 Actuation/Return*	Position 6 Coil Voltage	Position 7 Current Type
<b>E</b> E Series	<b>1</b> 2 Position Detent <b>2</b> 2 Position <b>3</b> 3 Position Spring Centered <b>5</b> 3 Position Detent (3 & 5, all ports blocked) <b>6</b> 3 Position Detent (inlet ports blocked, cylinder ports open) <b>7</b> 3 Position Spring Centered (6 & 7, inlet ports blocked, cylinder ports open)	<b>1</b> 4 Way Side Ported <b>4*</b> 4 Way Bottom Ported <b>5</b> 3 Way Side Ported *Solenoid and Pilot Models only.	<b>2</b> 1/4" NPT	<b>BD</b> Bleed Double <b>BS</b> Bleed/Spring <b>CS</b> Cam Stem/Spring <b>US</b> Cam Stem/Spring, 1/4" Spool travel, 3-way valve only. <b>RS</b> Roller Cam/Spring <b>HM</b> Palm/Manual <b>HP</b> Palm/Pilot <b>HS</b> Palm/Spring <b>WM</b> Palm w/o Button/Manual <b>WP</b> Palm w/o Button/Pilot <b>WS</b> Palm w/o Button/Spring <b>LM</b> Hand Lever/Manual <b>LP</b> Hand Lever/Pilot <b>LS</b> Hand Lever/Spring <b>PD</b> Pilot/Double <b>PS</b> Pilot/Spring <b>SD</b> Double Solenoid <b>SN</b> Solenoid/Spring-N.O. <b>SS</b> Solenoid/Spring <b>FP</b> Pedal/Pilot <b>FS</b> Pedal/Spring <b>TM</b> Treadle/Manual <b>TS</b> Treadle/Spring	<b>000</b> No coil <b>024</b> 24V AC/DC <b>120</b> 120V AC <b>012</b> 12V AC/DC <b>240</b> 240V AC Required only when ordering Solenoid Valves.	<b>A</b> AC <b>D</b> DC <b>N</b> No Coil Required only on Solenoid Valves If coil option A, D or L is selected, a coil connector must be ordered. See Pg. 69 for coil & connector information.



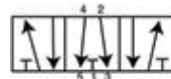
3-Way



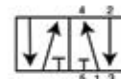
4-Way, 2-Position



4-Way, 3-Position all ports blocked



4-Way, 3-Position inlet ports blocked, cylinder ports open



4-Way, 2-Position Bleed Valve

## Accessories

### Palm Buttons

For use with WM, WP or WS Actuators.

<b>13111</b>	Plastic, Black
<b>119243</b>	Metal, Plain
<b>119244</b>	Metal, Red
<b>119245</b>	Metal, Green
<b>MP3651-7</b>	Plastic, Red

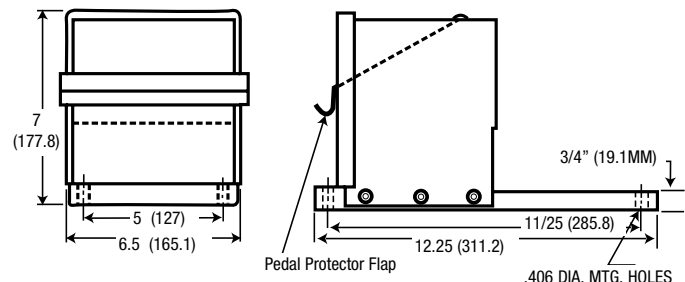


20965-1

### Foot Pedal Guards

Recommended for applications where accidental actuation may result in damage or injury. Model 20965-1 is designed to comply with ANSI No. B11.1-1971 specifications and OSHA regulations.

<b>20965-1</b>	Pedal Guard with Flapper
<b>20965-2</b>	Pedal Guard without Flapper

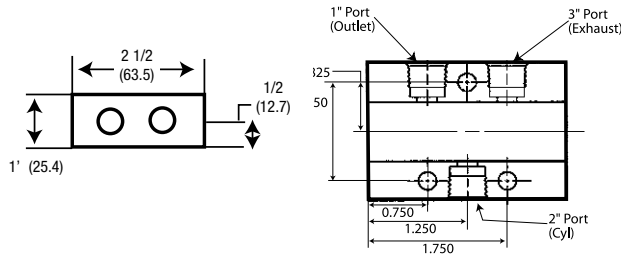


NOTE: Not for use with treadle actuator

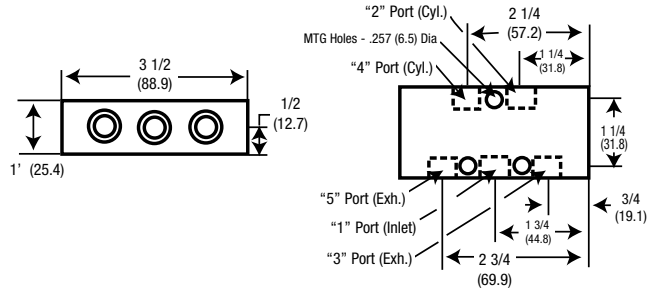
# E Series

➤ **Dimensions** Dimensions given in Inches and (Millimeters)

## Basic 3-Way Valve

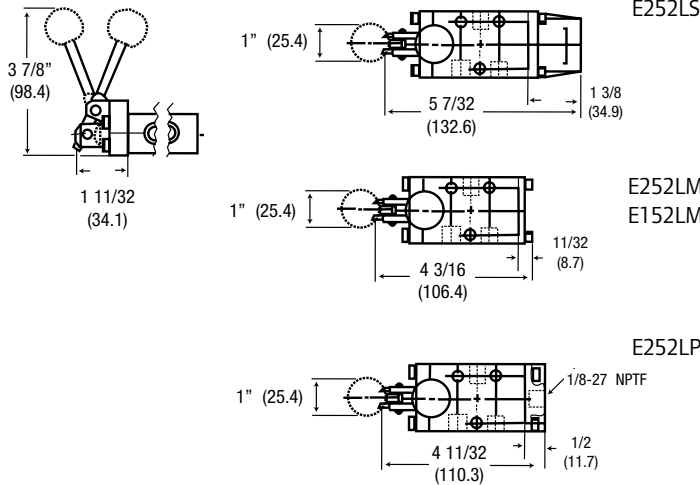


## Basic 4-Way Valve

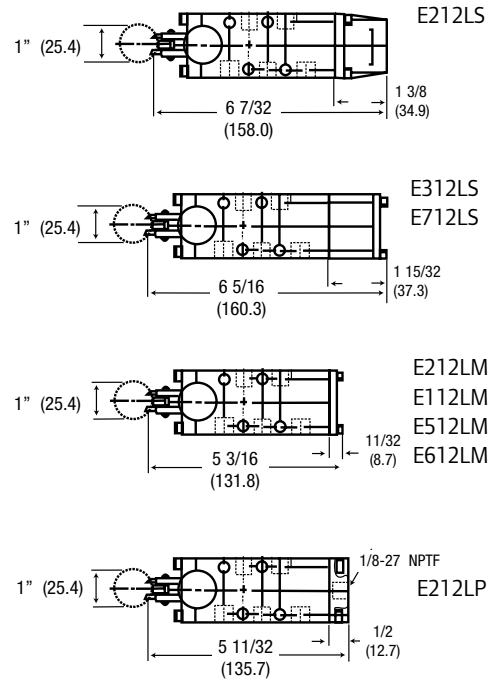


## Hand Lever Valves

### 3 Way Valves

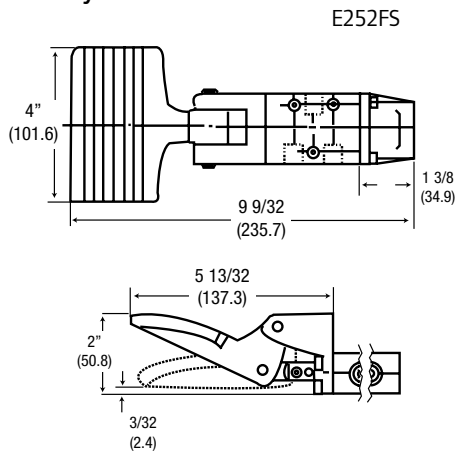


### 4 Way Valves

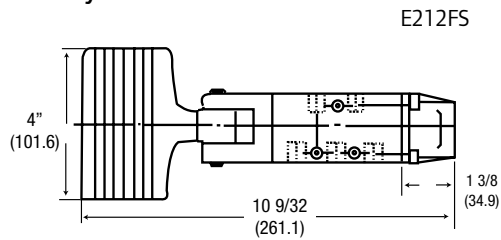


## Pedal

### 3 Way Valves

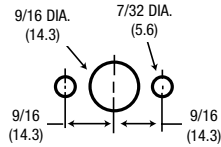
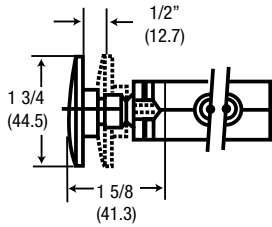


### 4 Way Valves



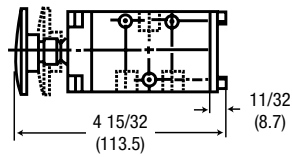
# E Series

## Palm Button Valves

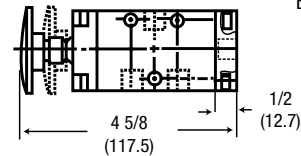


Palm Button Valves may be panel mounted. 1/8" Max. panel thickness utilizing two 10-24 UNC tapped holes in end cap  
**Not Available on detent models:**  
 E152HM or -WM  
 E112HM or -WM

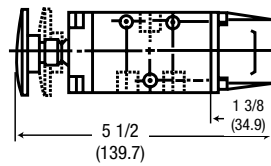
### 3 Way Valves



E252HM or -WM  
 E152HM or -WM

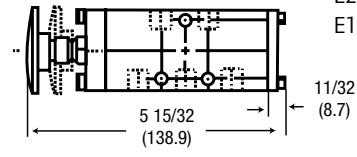


E252HP or -WP

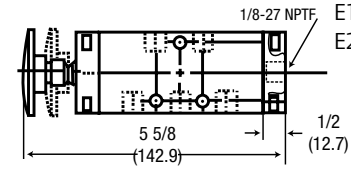


E252HS or -WS

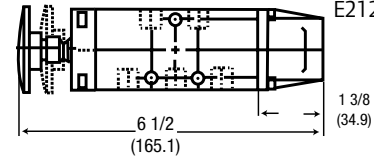
### 4 Way Valves



E212HM or -WM  
 E112HM or -WM

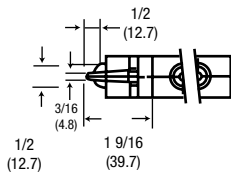


E112HP or -WP  
 E212HP or -WP

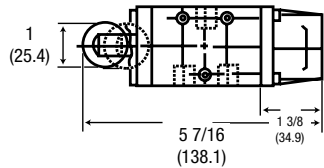


E212HS or -WS

## Roller Cam Valves

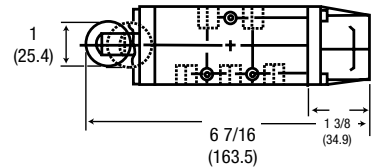


### 3 Way Valves



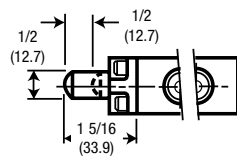
E252RS

### 4 Way Valves

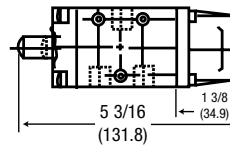


E212RS

## Cam Stem Valves

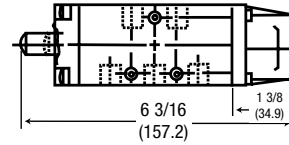


### 3 Way Valves



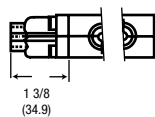
E252CS

### 4 Way Valves

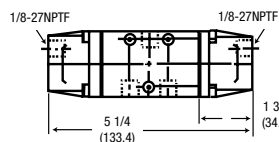


E212CS

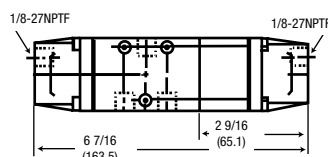
## Pilot Valves



### 3 Way Valves

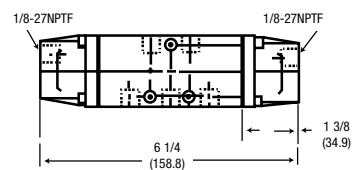


E252PS  
 E252PD

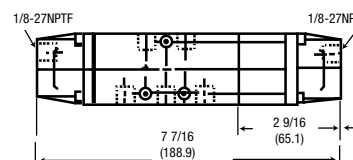


E152PD

### 4 Way Valves



E212PS  
 E212PD

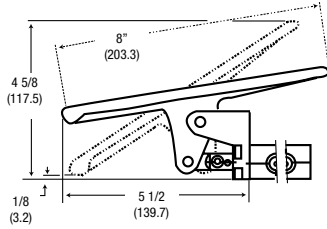


E112PD  
 E312PD  
 E712PD

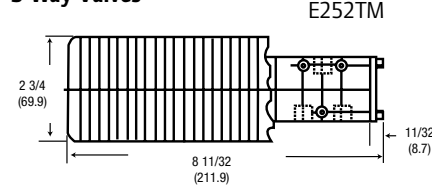
# E Series

➤ **Dimensions** Dimensions given in Inches and (Millimeters)

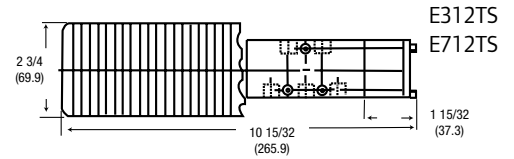
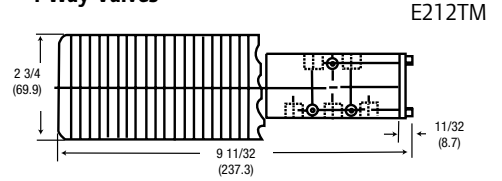
## Treadle Valves



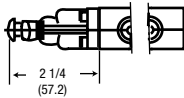
### 3 Way Valves



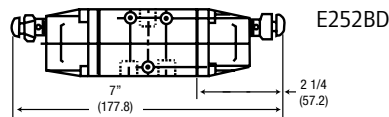
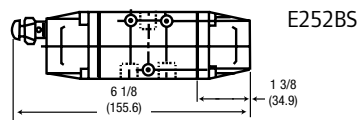
### 4 Way Valves



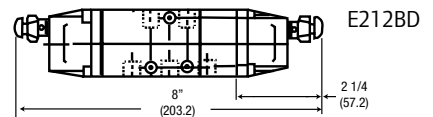
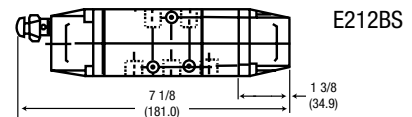
## Bleed Valves



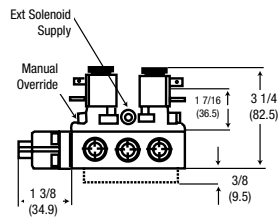
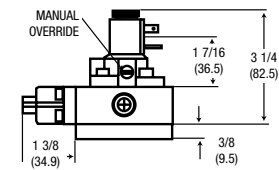
### 3 Way Valves



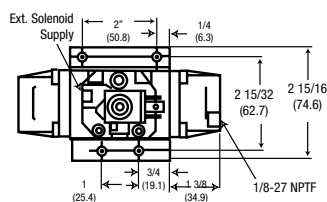
### 4 Way Valves



## Solenoid Valves

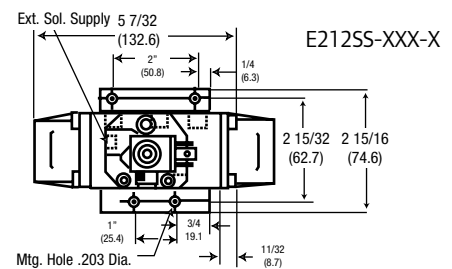


### 3 Way Valves

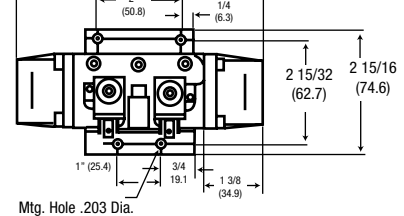


E252SN-XXX-X  
E252SS-XXX-X

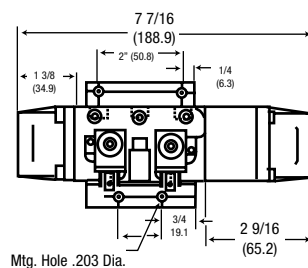
### 4 Way Valves



### E212SD-XXX-X



### E312SD-XXX-X E712SD-XXX-X



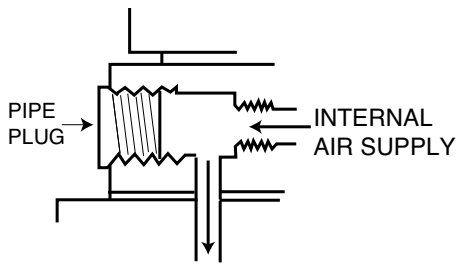


# E Series

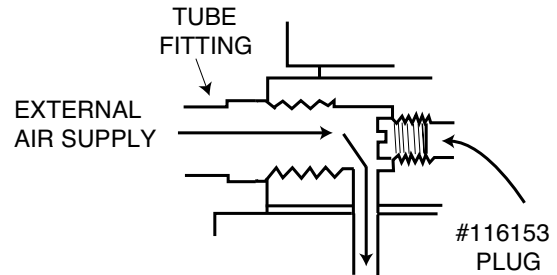
## Accessories

### 116153 Plug Kit

Kit needed for low pressure applications requiring an external Solenoid Supply Pressure. To use, remove and discard the standard pipe plug in the solenoid base. Thread the Plug/O-ring assembly into the threaded port. This blocks the internal supply connection. Finish by connecting an external air supply to the 1/8 NPTF port.



SOLENOID VALVE  
W/INTERNAL SOLENOID SUPPLY  
FROM VALVE BODY AS SHIPPED



CONVERTED SOLENOID VALVE  
W/EXTERNAL SOLENOID SUPPLY  
CONNECTION

# K Series

## Features

### Several Styles and Options

- 5-Port, 4-Way, 2 and 3-position directional control valves.

### Numerous Actuator Styles

Manual	Electric	Pneumatic
Hand Lever	Single Solenoid	Pilot
Palm Button	Double Solenoid	Bleed
Pedal		
Treadle		

## Comprehensive Valve Design

### Aluminum Body

Sand cast aluminum body provides a rugged, reliable valve.

### Buna N Seals

Standard seals are Buna N, for extended valve life. Viton seals are available for high temperature applications. Consult factory for ordering information.

### Sturdy Spools

K-Series valves have an aluminum spool. This slides in a hard anodized Teflon non-stick aluminum sleeve (3/8" or 1/2" models) The sleeves are brass on 3/4" or 1" models.

### Standard Solenoid Override Feature

3/8" and 1/2" models only.

### External Solenoid

External Solenoid supply port enables valve operation for vacuum service or low pressure operations. For proper supply connection, consult factory. (Remove end cap and rotate gasket 90° for remote solenoid supply.)



Hand Lever



Pedal



Treadle



Solenoids



Pilot



Bleed

# K Series

## Ordering

Position	1	2	3	4	5		6		7
Example:	K	X	1	X	XX	-	XXX	-	X

Position 1 Body Style	Position 2 Valve Type	Position 3 Body Style	Position 4 Port Size	Position 5 Actuation/Return*	Position 6 Coil Voltage	Position 7 Current Type
K K Series	2 2 Position	1 4 Way Side Ported	3 3/8" NPT	BD Bleed/Bleed	000 No coil 012 12V AC or DC 024 24V AC or DC 120 120V AC or DC 240 240V AC only	A AC D DC N No Coil  Required only on Solenoid Valves  If coil option A or D is selected, a coil connector must be ordered. See Pg. 69 for coil & connector information.
	3 3 Position Spring Centered		4 1/2" NPT	BS Bleed/Spring		
	5 3 Position Detent (3 & 5, all ports blocked in neutral)		6 3/4" NPT	*FP Pedal/Pilot		
	6 3 Position Detent (inlet ports blocked, cylinder ports open in neutral)		8 1" NPT	*FS Pedal/Spring		
	7 3 Position Spring Centered (6 & 7, inlet ports blocked, cylinder ports open in neutral)			**HS Palm/Spring		
				*LM Hand Lever/Manual		
				*LS Hand Lever/Spring		
				PD Pilot/Pilot		
		PS Pilot/Spring				
		SD Solenoid/Solenoid				
		SS Solenoid/Spring				
		*TM Treadle/Manual				
				*FP, FS, LM, LS & TS available in 3/8" and 1/2" port sizes only. Numbering ends here if a Non-Solenoid valve is being selected.		Required only when ordering Solenoid Valves.
				**HS available in 3/8" port size only.		

## Performance Specifications

**Temperature Ratings:** -10° to 180° F (-23° to 82° C)

**Lubrication:** Valves use O-ring seals. For maximum performance and life expectancy, standard air line lubrication should be used.

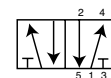
**Flow & Cv Factor:**

Port Size	Flow	Cv Factor
3/8"	83 SCFM	2.30
1/2"	90 SCFM	2.57
3/4"	270 SCFM	7.54
1"	280 SCFM	7.80

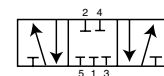


20965-X Foot Pedal Guards, for use with Pedal Style valves. See Pg. 43 (bottom) for details.

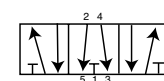
	Pressure Range PSI (Bar)	Minimum Pilot Pressure PSI (Bar)
<b>Manual Actuators</b>		
Manual, Spring, and Pilot	0-150 (0-10.4)	20 (1.4)
<b>Mechanical Actuators</b>		
Manual, Spring, and Pilot	0-150 (0-10.4)	20 (1.4)
<b>Electric Actuators</b>		
Spring Return	50-150 (3.5-10.4)	
Spring Centered Return	60-150 (4.1-10.4)	
Solenoid Return	20-150 (1.4-10.4)	
<b>Pneumatic Actuators</b>		
Pilot/Spring Return	0-150 (0-10.4)	50 (3.5)
Pilot/Spring Centered	0-150 (0-10.4)	60 (4.1)
Pilot/Pilot Return	50-150 (3.5-10.4)	20 (1.4)
Bleed/Spring Return	50-150 (3.5-10.4)	
Bleed/Bleed	20-150 (1.4-10.4)	



2-Position



3-Position, inlet ports blocked

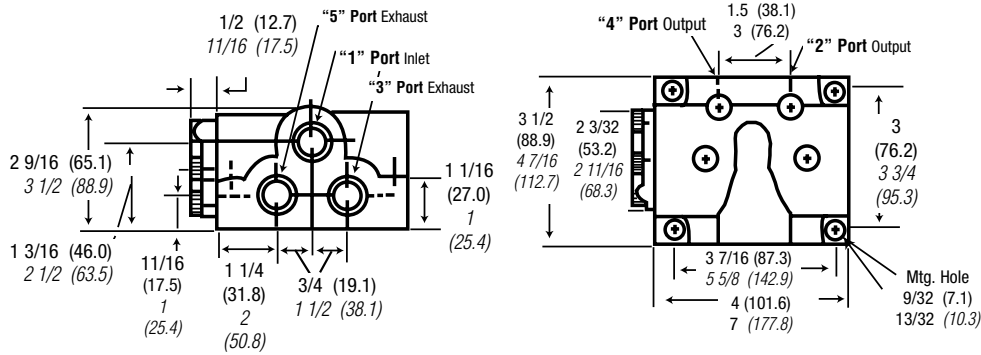


3-Position, inlet blocked, cylinder ports open

# K Series

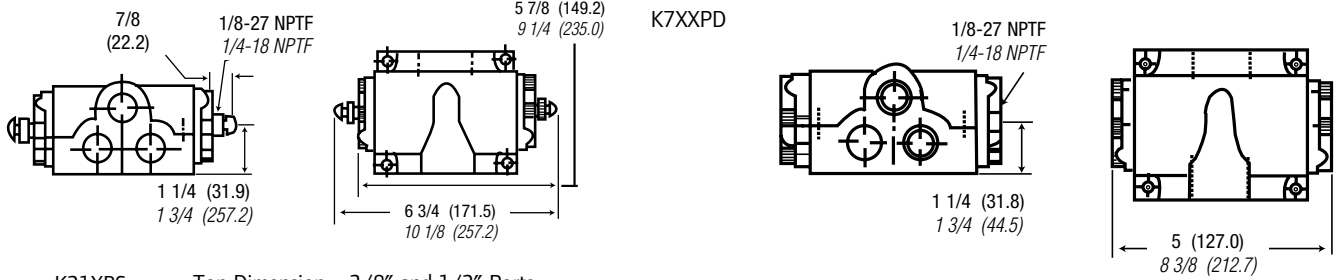
▀ **Dimensions** Dimensions given in Inches and (Millimeters)

## Basic Valves



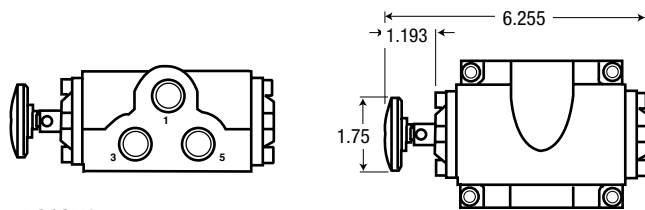
## Pilot and Bleed Valves

K2XXPS  
K2XXPD  
K3XXPD  
K7XXPD



K21XBS Top Dimension = 3/8" and 1/2" Ports  
K21XBD Bottom Dimensions = 3/4" and 1" Ports

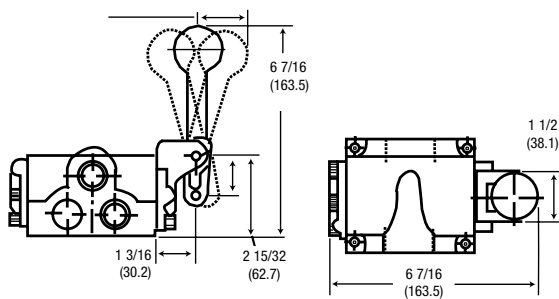
## Palm Valves



K213HS

# K Series

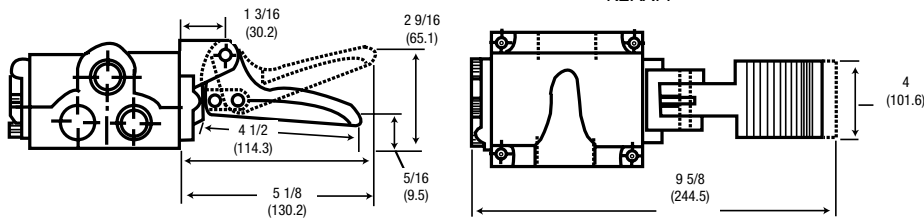
## Hand Lever



K2XXLM  
K3XXLM  
K5XXLM  
K6XXLM  
K7XXLM  
K2XXLS

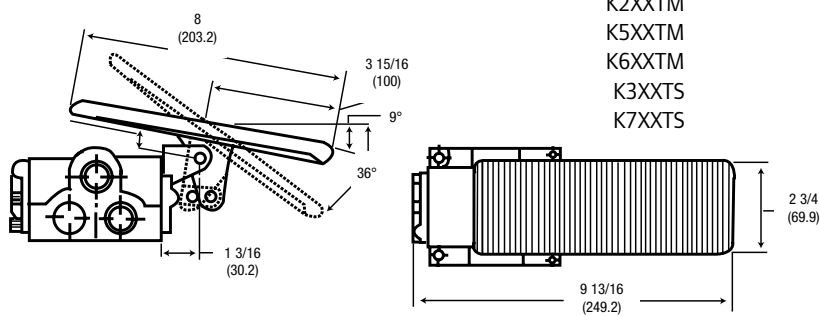
Top Dimension = 3/8" and 1/2" Ports  
Bottom Dimensions = 3/4" and 1" Ports

## Pedal



K2XXFS  
K2XXFP

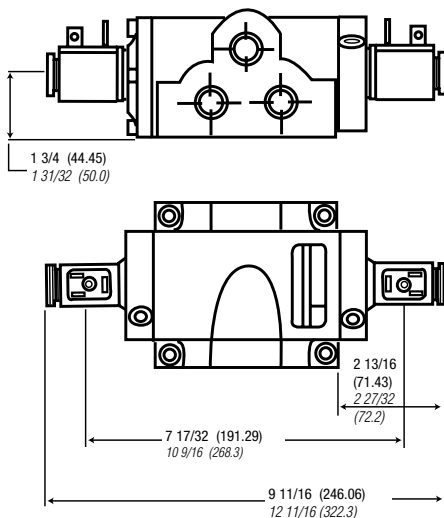
## Treadle



K2XXTM  
K5XXTM  
K6XXTM  
K3XXTS  
K7XXTS

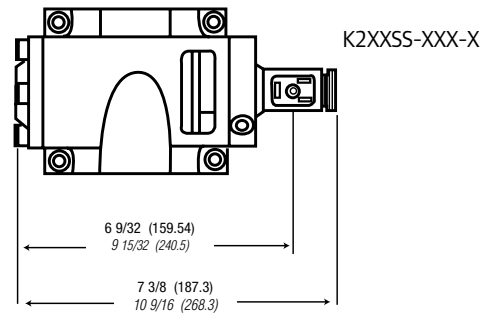
## Solenoid

### Double Solenoid



K2XXSD-XXX-X  
K3XXSD-XXX-X  
K7XXSD-XXX-X

### Single Solenoid



K2XXSS-XXX-X

Top Dimension = 3/8" and 1/2" Ports  
Bottom Dimensions = 3/4" and 1" Ports

# H Series

## Features

### Several Styles and Options

- H-Series Valves feature high-flow and fast response.
- 3-Way and 4-Way 2-position Poppet Valves
- Override is not available with "H" Series Valves

### Numerous Actuator Styles

Electric	Pneumatic
3-Way Solenoid	3-Way Pilot
4-Way Solenoid	4-Way Pilot
	4-Way Pilot Bleed
	4-Way Manual Bleed

## Comprehensive Valve Design

### Durable Valve Body

Valve body is die-cast Zinc, with a zinc chromate coating for added corrosion resistance in harsh environments.

### Superior Performance

Large, unrestricted air passages produce high flow and fast response times.

### Superior Design

3-Way valves feature a single poppet. 4-Way valves have two simultaneously driven poppets to provide the 4-way function.



3-Way Pilot



3-Way Solenoid



4-Way Solenoid



Manual Bleed



Pilot Bleed



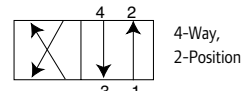
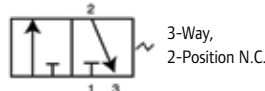
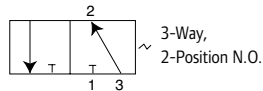
4-Way Pilot

# H Series

## Ordering

Position	1	2	3	4	5		6		7
Example:	<b>H</b>	<b>2</b>	<b>X</b>	<b>X</b>	<b>XX</b>	-	<b>XXX</b>	-	<b>X</b>

Position 1 Body Style	Position 2 Valve Type	Position 3 Body Style	Position 4 Port Size	Position 5 Actuation/Return	Position 6 Coil Voltage	Position 7 Current Type
<b>H</b> H Series	<b>2</b> 2 Position	<b>1</b> 4 Way Side Ported <b>5</b> 3 Way Side Ported	<b>2</b> 1/4" NPT <b>3</b> 3/8" NPT <b>4</b> 1/2" NPT	<b>3-Way Valves</b> <b>PS</b> Pilot/Spring <b>SS</b> Solenoid/Spring <hr/> <b>4-Way Valves</b> <b>BD</b> Manual Bleed/Manual Bleed <b>PA</b> Pilot/Internal Pilot <b>PD</b> Pilot/Pilot <b>SA</b> Solenoid/Internal Pilot <b>SD</b> Solenoid/Solenoid Numbering ends here if a Non-Solenoid valve is being selected.	<b>000</b> No coil <b>012</b> 12V AC or DC <b>024</b> 24V AC or DC <b>120</b> 120V AC or DC <b>240</b> 240V AC only  Required only when ordering Solenoid Valves.	<b>A</b> AC <b>D</b> DC <b>N</b> No Coil  Required only on Solenoid Valves  If coil option A or D is selected, a coil connector must be ordered. See Pg. 69 for coil & connector information.



## Performance Specifications

### Valve Performance Data

Actuator	Return	Pressure Range PSI (bar)	Minimum Pilot Pressure PSI (bar)
<b>3-Way Valves</b>			
Pilot	Spring	30-150 (2.1-10.4)	30 (2.1)
Solenoid	Spring	30-150 (2.1-10.4)	
<b>4-Way Valves</b>			
Pilot	Internal Pilot	20-150 (1.4-10.4)	20 (1.4)
Manual Bleed	Manual Bleed	20-150 (1.4-10.4)	
Pilot Bleed	Pilot Bleed	20-150 (1.4-10.4)	20 (1.4)
Solenoid	Internal Bleed or Solenoid	25-135 (1.7-9.3)	

### Flow SCFM

Port Size	Side Ported	Cv Factor
<b>3-Way Valves</b>		
1/4"	55	1.51
3/8"	81	2.27
1/2"	85	2.40
<b>4-Way Valves</b>		
1/4"	50	1.40
3/8"	88	2.38
1/2"	100	2.80

### Response Time @ 100 PSI

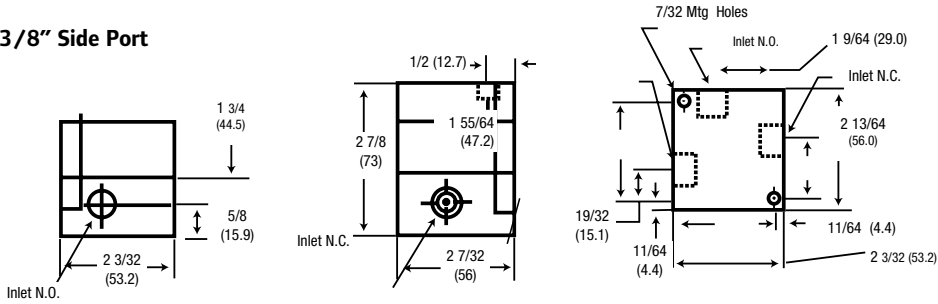
Energized	De-energized
<b>3-Way Valves</b>	
N.O. - 23 ms	20 ms
N.C. - 22 ms	26 ms
<b>4-Way Valves</b>	
44 ms	27 ms

# H Series

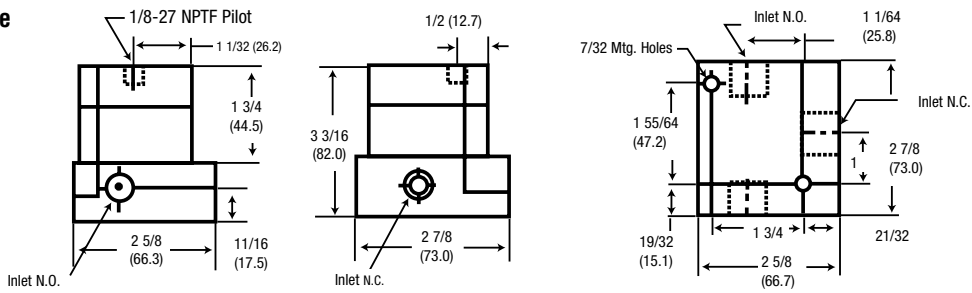
Dimensions given in Inches and (Millimeters)

## 3-Way Basic Valves

### 1/4" and 3/8" Side Port

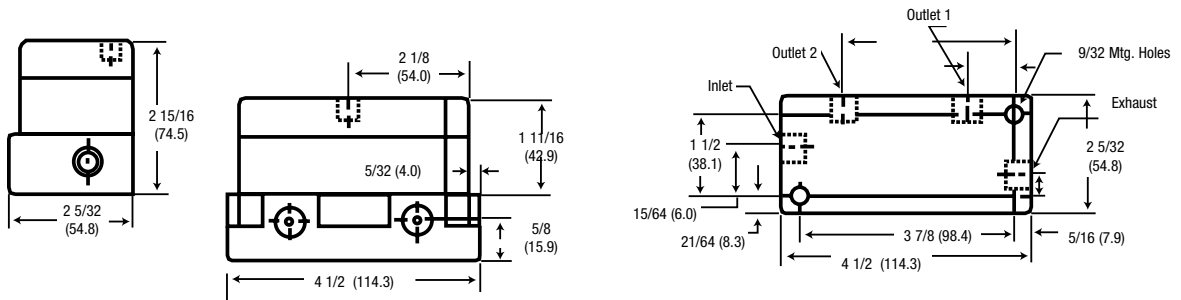


### 1/2" Side Port

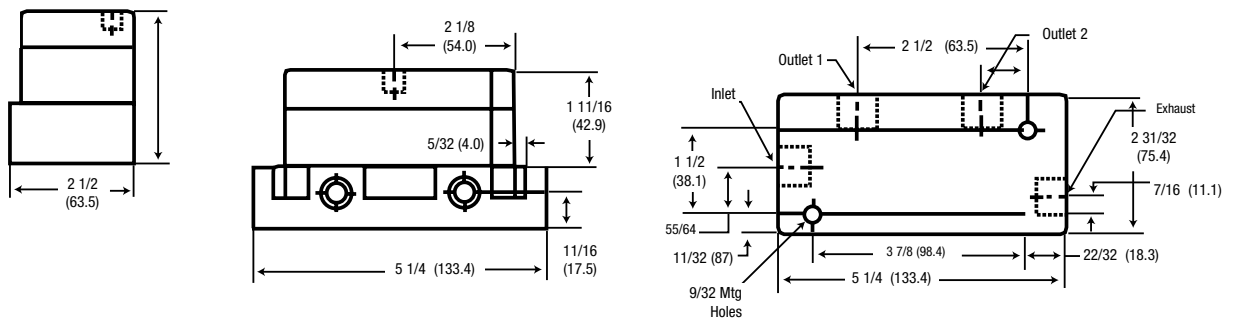


## 4-Way Basic Valves

### 1/4" and 3/8" Side Port



### 1/2" Side Port



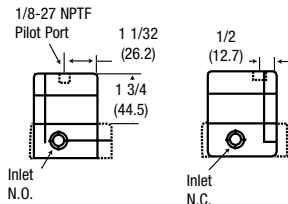


# H Series

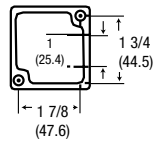
► **Dimensions** Dimensions given in Inches and (Millimeters)

## Pilot Valves

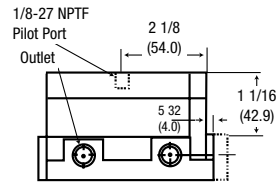
### 3-Way Pilot



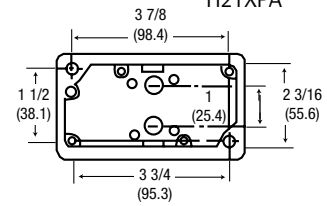
### H25XPS



### 4-Way Pilot

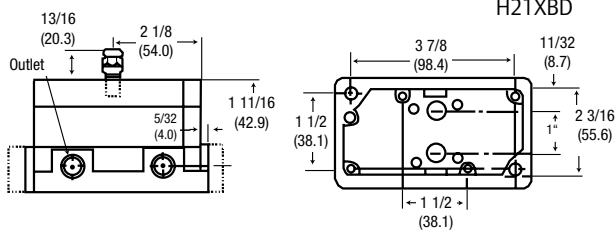


### H21XPA



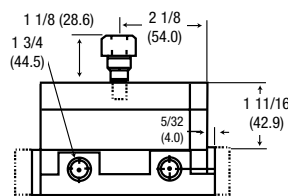
## Bleed Valves

### 4-Way Manual Bleed

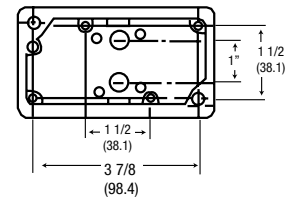


### H21XBD

### 4-Way Pilot Bleed

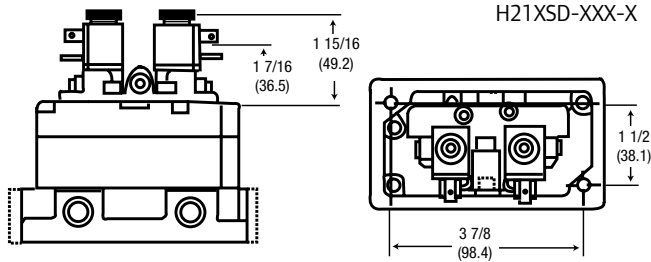


### H21XPD



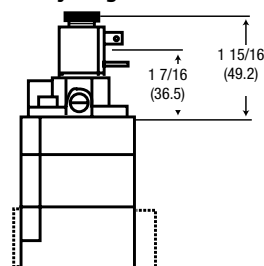
## Solenoid Valves

### 4-Way Double Solenoid

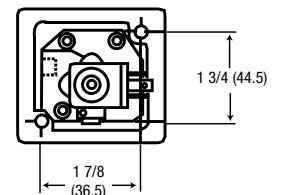


### H21XSD-XXX-X

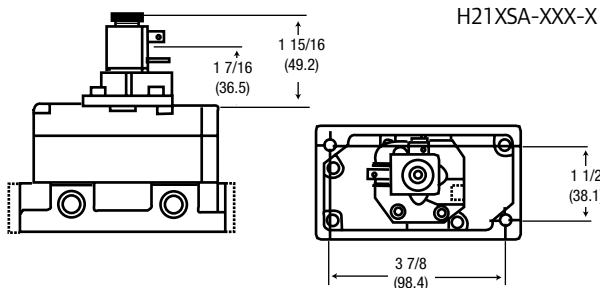
### 3-Way Single Solenoid



### H25XSS-XXX-X



### 4-Way Single Solenoid



### H21XSA-XXX-X

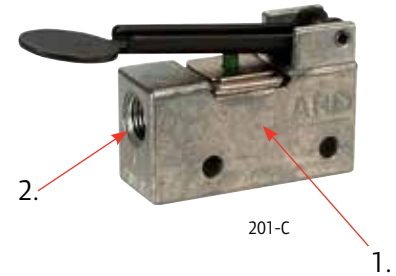
# 200 Series

## Features

- 200-Series valves can be plumbed to perform as normally passing, normally non passing, selector or any 2-way function.
- Ideal for sensing the position of moving devices such as cylinders, slides or gates.
- Mounting holes are standard 1" electrical centers

### Numerous Actuator Styles:

Mechanical		Manual
Short Roller Lever	Short Ball Roller	Plain Lever
Long Roller Lever	Long Ball Roller	Fingertip Lever
One-Way, Short Lever	Straight Plunger	Centering Toggle
One Way, Long Lever	Roller Plunger	Retained Toggle
Pin Plunger	Cross-Roller Plunger	Panel Button



## Comprehensive Valve Design

### 1. Durable Valve Body

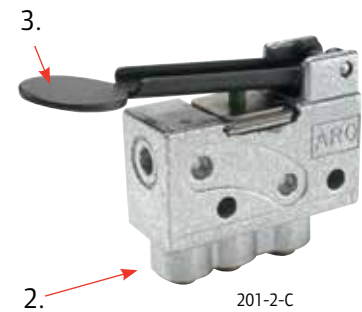
Body is die cast zinc for high wear resistance. Valve also features a stainless steel, PTFE coated spool, with Viton O-ring seals and Buna-N static seals.

### 2. Two Plumbing Options

Available with 1/8" NPTF ports, or instant tube fittings for use with 5/32" (4mm) nylon tubing.

### 3. Numerous Actuator Styles

Five manual, ten mechanical and one pilot actuators to choose from. Eight can be panel mounted.



## Performance Specifications

**Pressure Range:** 30 to 150 PSIG (2.1 to 10.4 bar)

**Temperature Range:** 32° to 160° F (0° to 71° C)

**Flow & Cv Factor:**

**1/8" Ports:** 7.5 SCFM, Cv = .195

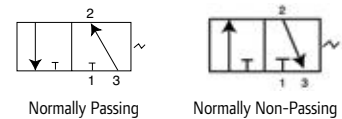
**5/32" (4mm) Tube Fittings:** 4.0 SCFM, Cv = .104

### 206-C Minimum Pilot Pressure PSIG (bar)

Supply Pressure	25 (1.7)	50 (3.4)	75 (5.1)	100 (6.9)	125 (8.6)	150 (10.4)
Piped IN - N.N.P.	11.5 (.8)	12.0 (.8)	12.5 (.9)	13.0 (.9)	13.5 (.9)	14.0 (1.0)
Piped IN - N.P.	14.5 (1.0)	17.0 (1.2)	19.5 (1.3)	22.0 (1.5)	24.5 (1.7)	27.0 (1.9)

### Actuating Force:

Actuator	Force Oz.(N)	Stroke In (mm)	Travel In (mm)
200	20 (5.56)	.195 (4.95)	.055 (1.40)
201	20 (5.56)	.289 (7.34)	.086 (2.18)
202	36 (10.0)	.086 (2.18)	.024 (0.61)
203	21 (5.84)	.160 (4.06)	.040 (1.02)
204	34 (9.45)	.089 (2.26)	.027 (.69)
205	23 (6.39)	.164 (4.17)	.043 (1.09)
209	57 (15.9)	.069 (1.57)	.015 (.38)
212	57 (15.9)	.069 (1.57)	.015 (.38)
213	57 (15.9)	.069 (1.57)	.015 (.38)
214	57 (15.9)	.062 (1.57)	.089 (2.26)
215	57 (15.9)	.062 (1.57)	.089 (2.26)
216	57 (15.9)	.062 (1.57)	.089 (2.26)
222	24 (6.67)	70°	----
223	24 (6.67)	70°	----
224	57 (15.9)	.062 (1.57)	.025 (3.18)



206 consist of a 212-C and a model 296 actuator



# 200 Series

## Ordering

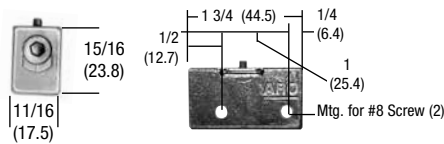
Position	1	2		3
Example:	2	XX	-	X
Position 1 Series	Position 2 Actuator Type		Position 3 Port Type	
2 200 Series	<b>00</b> Plain Lever <b>01</b> Fingertip Lever <b>02</b> Short Roller Lever <b>03</b> Long Roller Lever <b>04</b> One-Way, Short Lever <b>05</b> One Way, Long Lever <b>06</b> Pilot Actuated <b>09</b> Pin Plunger	<b>12</b> Short Ball Roller <b>13</b> Long Ball Roller <b>14</b> Straight Plunger <b>15</b> Roller Plunger <b>16</b> Cross-Roller Plunger <b>22</b> Centering Toggle <b>23</b> Retained Toggle <b>24</b> Panel Button	<b>C</b> 1/8" NPTF Ports <b>2-C</b> 5/32" Tubing Ports	

## Dimensions

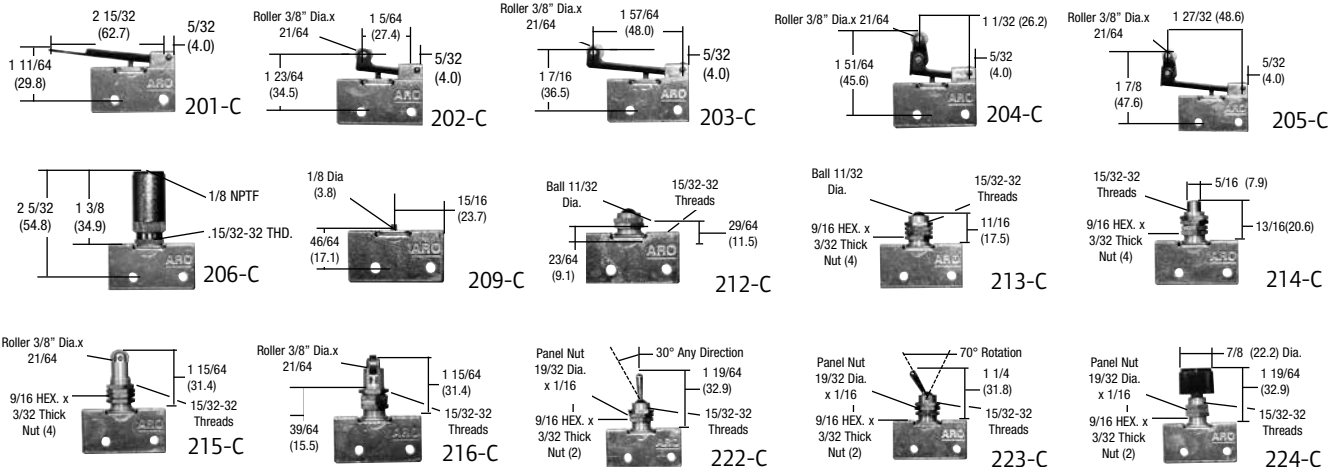
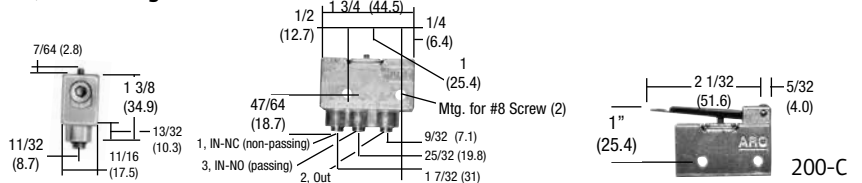
Dimensions given in Inches and (Millimeters)

### Basic Valves

#### 1/8" NPT Ports

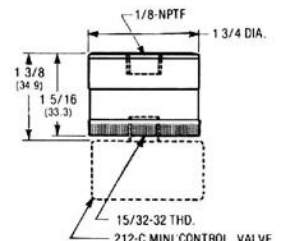


#### 5/32" Tubing Ports



### Low-Pressure Pilot Actuator Switch

- Use on 212-C ball roller limit valve.
- For use in low pilot pressure applications.
- Maximum pilot pressure is 100 psig (6.9 bar)
- 1/8" NPTF air inlet ports.
- Aluminum-alloy construction with low friction Buna-N cup seal.
- Order Model 20368 and 212-C Aro ball roller limit valve separately.



Supply Pressure	Minimum Pilot Pressure PSIG (bar)					
	25 (1.7)	50 (3.5)	75 (5.2)	100 (6.9)	125 (8.6)	150 (10.4)
Piped IN-N.P.	5.5 (0.4)	6.0 (0.4)	6.5 (0.4)	7.0 (0.5)	7.5 (0.5)	8.0 (0.6)
Piped IN-N.P.	5.5 (0.4)	6.0 (0.4)	6.5 (0.4)	7.0 (0.5)	7.5 (0.5)	8.0 (0.6)

# 100 Series

## Features

### Miniature Control Valves

- Ball Poppet valve provides fast response.
- Slotted Mounting holes for easy placement and adjustment.
- 100 Series Mini Valves are non-passing, non-lube limit valves.
- 33% glass reinforced polyester body is strong, lightweight and corrosion resistant.
- Available with 5/32" tube fittings. Both ports are on one side for ease of plumbing and maintenance.
- Seals are Buna-N, Stainless Steel Spring, Brass Plunger and Delrin Roller.

## Performance Specifications

<b>Pressure Range:</b>	0 to 150 PSIG (0 to 10.4 bar)
<b>Temperature Range:</b>	-10° to 180° F (-23° to 82° C)
<b>Flow &amp; Cv Factor:</b>	3.4 SCFM at 100 PSIG (7 bar) input 85 PSI (5.8 bar) output. Cv = .09
<b>Actuating Force:</b>	<b>Travel Operation:</b>
<b>Straight Plunger:</b>	<b>Straight Plunger:</b>
52 oz. at 100 PSIG	.03125" (.8mm) to actuate
(14.46 N at 7 bar)	.109375" (2.8mm) total
<b>Levers:</b>	<b>Levers:</b>
25 oz. at 100 PSIG	.0625" (1.6mm) to actuate
(6.95 N at 7 bar)	.21875" (5.5mm) total

## Ordering

Model No.	Port Size	Actuator Type
103-2-A	5/32" Tube	Roller Lever
105-2-A	5/32" Tube	90° Roller Lever
109-2-A	5/32" Tube	Straight Plunger



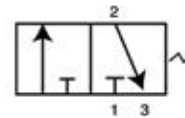
103-2-A



105-2-A

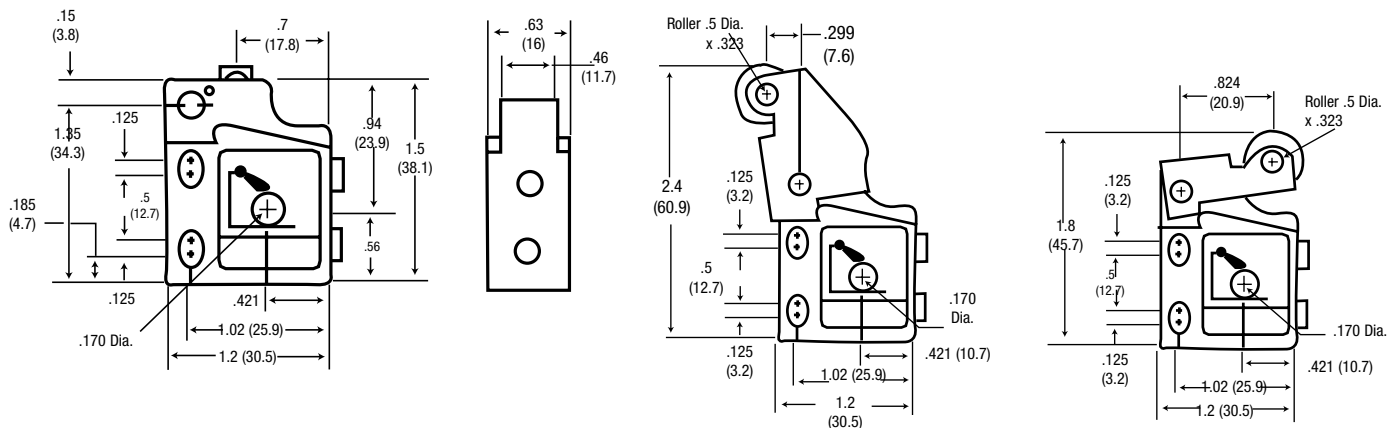


109-2-A



Normally Non-Passing

## Dimensions Dimensions given in Inches and (Millimeters)

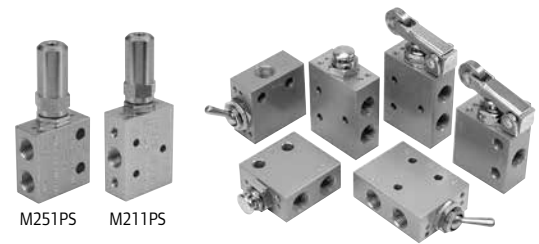


# MaxAir

## Features

### MaxAir 3-Way & 4-Way, 1/8" Manual & Mechanical Valves

- Rugged aluminum alloy body is lightweight and durable.
- 3-way valves can be plumbed to perform as normally passing, normally non-passing, or selector.



## Performance Specifications

- Port size:** 1/8" NPT
- Pressure Range:** 0-150 PSI
- Temp. Range:** 32°-160° F (0°-71°C)
- Media:** Compressed Air
- Flow:** 3-Way = 7 scfm  
4-Way = 9 scfm

## Accessories

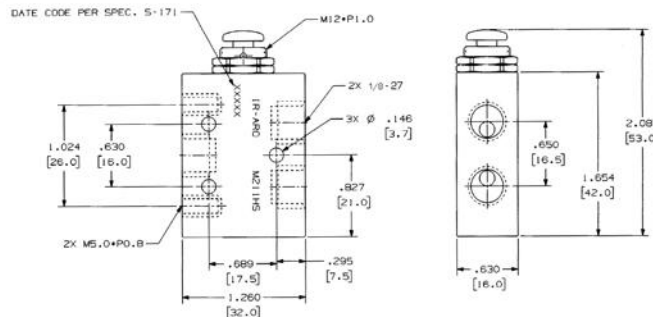
### Attachments for use on M251HS & M211HS Valves

- 104484** One-way roller lever
- 104485** Ball plunger attachment
- 104486\*** Air pilot attachment
- 104487** Finger button attachment
- M251PS** 3-Way
- M211PS** 4-Way

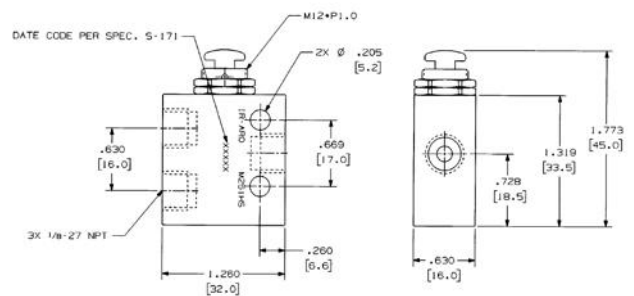
\*Air pilot attachment can be ordered with valve

## Dimensions Dimensions given in Inches and (Millimeters)

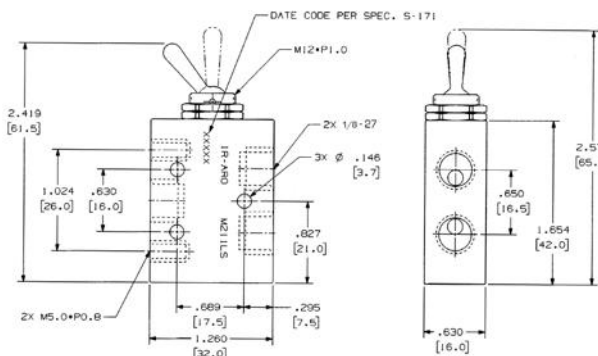
### M211HS 4-Way, Push Button, Spring Return\*\*



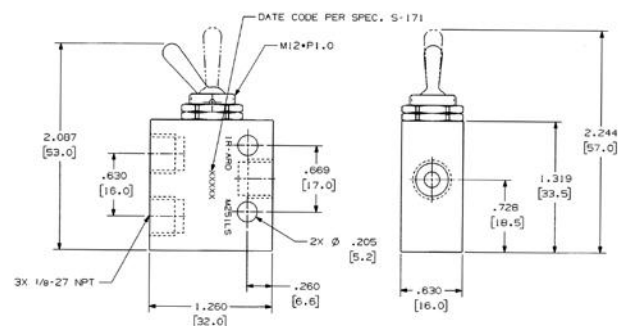
### M251HS 3-Way, Push button, Spring Return\*\*



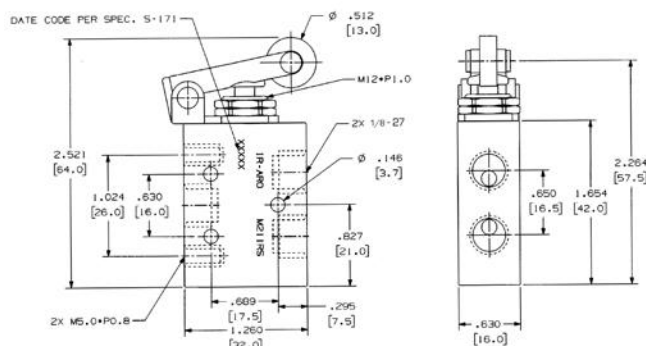
### M211LS 4-Way, Toggle, Maintained



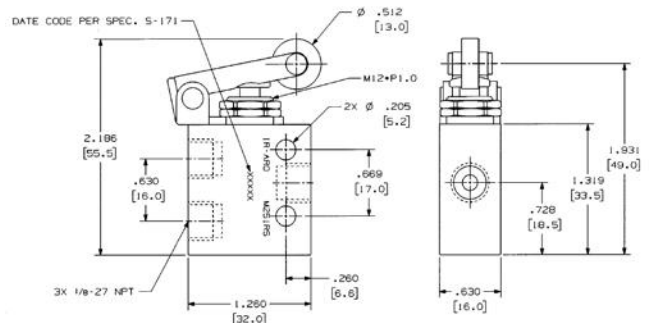
### M251LS 3-Way, Toggle, Maintained



### M211RS 4-Way, Roller, Spring Return



### M251RS 3-Way, Roller, Spring Return



\*\* Accessories can be mounted on push button valves for additional actuating styles

# 400 Series

## Features

### 3-Way Limit Valves

- Plumb 400 Series valves as normally passing, normally non-passing, selector or any 2-way valve function.
- Ports available with either 1/8" NPTF threads or 5/32" tube fittings.
- Four actuator options: Nylon Roller, Steel Roller, Rod Lever or Adjustable Roller Lever.  
Actuators must be ordered separately. See menu below.
- Operating head may be adjusted to any of four positions.
- Outer case protects working parts from dirt.

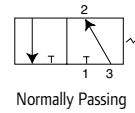


## Performance Specifications

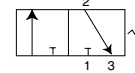
**Pressure Range:** 30 to 150 PSIG (2.1 to 10.4 bar)  
**Temperature Range:** 32° to 160° F (0° to 71° C)  
**Flow & Cv Factor:** 1/8" Ports 7.5 SCFM, Cv = .195  
 5/32" (4mm) Tube Fittings 4.0 SCFM, Cv = .104

**Actuator Force:**  
 447 - 1.6 lbs.  
 448 - 1.6 lbs.  
 449 - 0.5 lbs.  
 450 - 0.8 lbs.

**Actuating Torque:** 2.4 in. lbs.  
**119605** Side Plate Cover-used to cover body cavities.



Normally Passing



Normally Non-Passing

## Ordering

### Valves

1/8" Ports	Tube Fittings	Valve Action
<b>400-A</b>	<b>400-1-A</b>	One Way, Clockwise
<b>401-A</b>	<b>401-1-A</b>	One Way, Counterclockwise
<b>402-A</b>	<b>402-1-A</b>	Clockwise & Counterclockwise

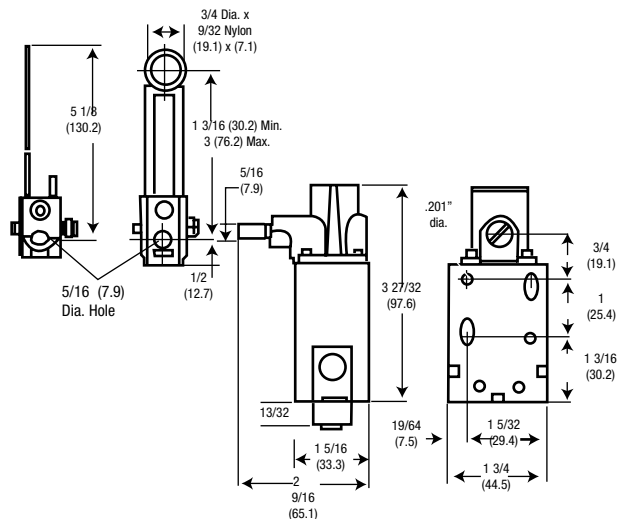
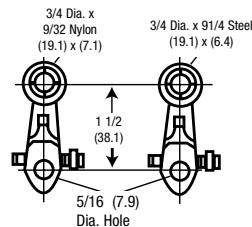
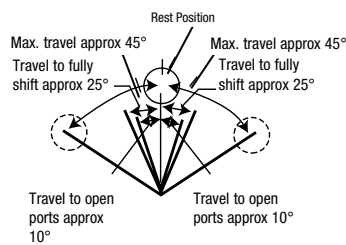
### Actuators

Code	Description
<b>447</b>	Nylon Roller
<b>448</b>	Steel Roller
<b>449</b>	Rod Lever
<b>450</b>	Adjustable Roller

## Dimensions

Dimensions given in Inches and (Millimeters)

### 400 Series

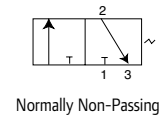
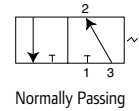


# 460 Series

## Features

### Palm Button Control Valves

- Plumb each to perform as normally passing, normally non-passing, selector or any 2-way valve function.
- Ports available with either 1/8" NPTF threads or 5/32" tube fittings.
- 2 1/2" Buttons (63.5mm) are available in four colors. If needed, order 20975 guard separately.
- 460-5 and 461-5 models use buttons that are threaded on rather than pushed on, making them more tamper resistant.



## Performance Specifications

<b>Pressure Range:</b>	30 to 150 PSIG (2.1 to 10.4 bar)
<b>Temperature Range:</b>	32° to 160° F (0° to 71° C)
<b>Flow &amp; Cv Factor:</b>	1/8" Ports      7.5 SCFM, Cv = .195
	5/32" (4mm)    4.0 SCFM, Cv = .104
	Tube Fittings
<b>Actuator Force:</b>	3 lbs.

## Ordering

Position	1	2		3
Example:	46	X	-	X

Position 1 Series	Position 2 Port Type	Position 3 Button Color
46 460 Series	0 1/8" NPT	1 Black
	1 5/32" Tubing	2 Red
		3 Green
		4 Yellow
		5 Valve W/O Button
(Order button for 7/16"-20 TH'd separately)		

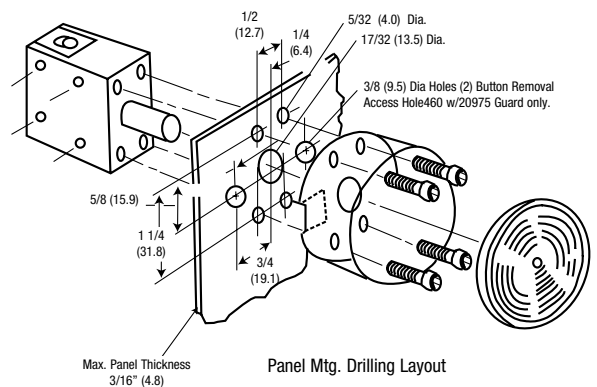
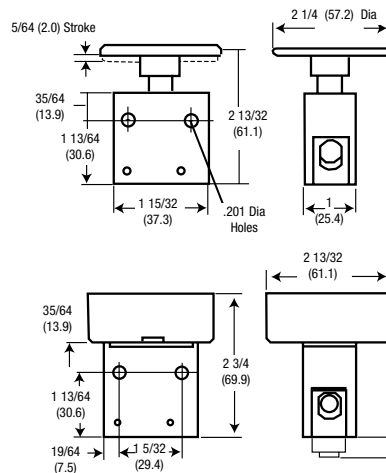
## Accessories

<b>20975 Button Guard</b>	† 13111	Plastic, Black
<b>*20973-1 Black Button</b>	†119243	Metal, Plain
<b>*20973-2 Red Button</b>	†119244	Metal, Red
<b>*20973-3 Green Button</b>	†119245	Metal, Green
<b>*20973-4 Yellow Button</b>	†MP3651-7	Plastic, Red

\* Tolerance ring 20972 must be ordered with accessory buttons. (Replacement buttons for -1, -2, -3, -4 options only.)  
 † (Buttons for -5 models only)

## Dimensions Dimensions given in Inches and (Millimeters)

### 460 Series



# Bleeder, Quick Exhaust, Relay Valves

## Features

### Button Bleeders

- Provides remote control of bleeder pilot-operated valves.
- Reduces air pressure on valve, so valve can shift.
- Mounting blocks provide remote location of bleeder valve.
- 1/8" NPT thread. Maximum operating pressure of 150 PSIG (10.4 bar)



### Pilot Bleeder Valve - 9600

- Similar to button bleeder valves, but operated by a pressure signal.
- 1/8" NPT threads. Operating Pressures 20-150 PSIG (1.4 - 10.4 bar)



### Quick Exhaust Valves

- Provides quick dump of exhaust at cylinder.
- Eliminates need for large diameter piping or selector valves.
- Die cast aluminum body.

### Single Pulse Relay Valve - PR10

- Converts continuous inlet supply to a momentary pressure pulse.
- Ideal where input signal remains pressurized, but output must go "off" after performing its task.
- Locate PR10 as close to pilot port of valve as possible.



## Performance Specifications and Ordering

### Button Bleeders

Model Number	Description
24130	1/2" (12.7) Dia. Head
24135	1 1/8" (28.6) Dia. Head

### Quick Exhaust Valves

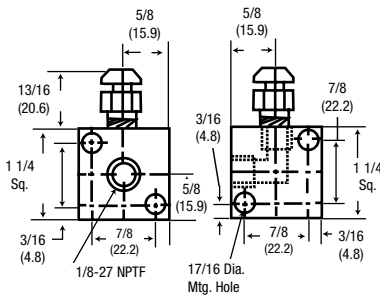
Model Number	Inlet Port	Cyl. Port	Exh Port	Pres Range PSI (bar)
EV 125	1/8"	1/8"	1/4"	1-125 (.07-8.6)
EV 250	1/4"	1/4"	3/8"	1-125 (.07-8.6)
EV 375	3/8"	3/8"	3/8"	1-125 (.07-8.6)
EV 30-A	1/2"	1/2"	3/4"	5-125 (.35-8.6)
EV 35-A	3/4"	3/4"	3/4"	5-125 (.35-8.6)

### Single Pulse Relay Valve - PR10

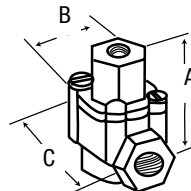
Supply PSIG Press. (bar)	Pulse Duration	Reset Time
50 (3.5)	125ms	300 ms
75 (5.2)	110ms	300 ms
100 (6.9)	105ms	300 ms
125 (8.6)	100ms	300 ms

## Dimensions Dimensions given in Inches and (Millimeters)

### Button Bleeders

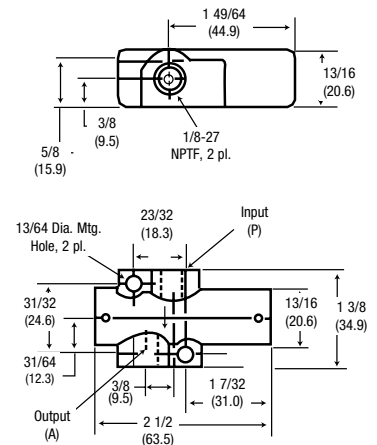


### Quick Exhaust Valves



A	B	C
1-7/16 (36.5)	1-23/32 (43.7)	1-1/2 (38.1)
2-1/8 (54.0)	2-7/32 (56.4)	2-1/1 (52.4)
2-1/8 (54.0)	2-7/32 (56.4)	2-1/1 (52.4)
3-1/8 (79.4)	3-1/2 (88.9)	4-1/32 (102.4)
3-1/8 (79.4)	3-1/2 (88.9)	4-1/32 (102.4)

### Single Pulse Relay Valve - PR10





# Circuitry Valves

## Features

### Shuttle Valves

- Allows one of two input sources to get the output.
- Prevents either input from exhausting at other input source.
- Check ball moves from inlet with the greatest pressure and against the port having the least pressure. Minimum pressure difference of 10 PSIG(.7 bar) is necessary to effect shuttle change. 200 PSIG (13.8 bar) maximum.



SV20-C

## Ordering

### Shuttle Valves

Model Number	Inlet Ports	Outlet
SV10-C	1/8"	1/8"
SV20-C	1/4"	1/4"

### Microswitch

#### 20370 Microswitch Actuator

Pressure Range 25-125 PSIG (1.7-8.6 bar)  
 Temperature Range 0-180 F (-18-82 C)



20370

#### 20467 Microswitch

Can be wired normally open or normally closed.  
 Single pole, double throw:  
 15 Amps, 125, 250 or 480 V-AC  
 1/2 Amp, 125 V-DC; 1/4 Amp, 250 V-DC  
 1/8 H.P., 125 V-AC; 1/4 H.P., 250 V-DC

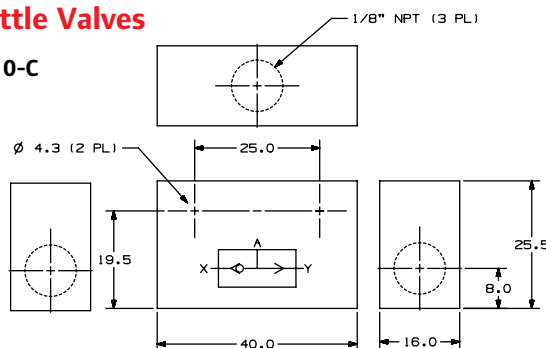
20467

## Dimensions

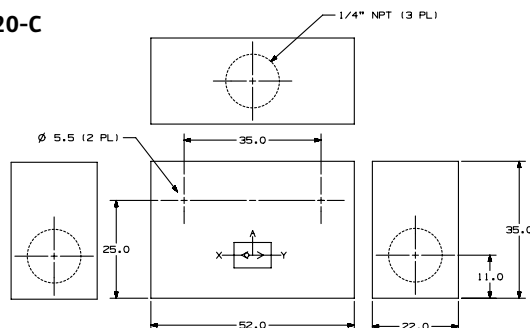
Dimensions given in Inches and (Millimeters)

### Shuttle Valves

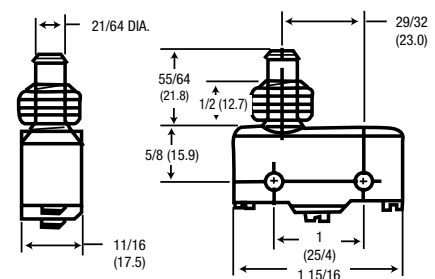
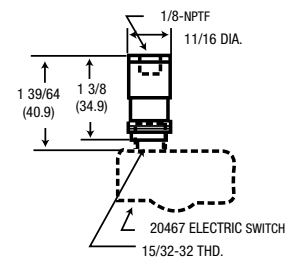
#### SV-10-C



#### SV-20-C



### Microswitch



# Circuitry Valves

## Features

### Breather Vents

- Use on valves and single acting cylinders to prevent dirt from entering ports open to atmosphere. Other uses are for vacuum relief or pressure equalization on gear boxes, reservoirs and air tanks.
- 40 micron filtration. Selection based on thread size.



20311-X

### Muffler

- Use on valve exhaust ports.
- Sintered bronze construction. Air muffler and exhaust diffuser.
- 40 micron nominal filtration; sound deadening qualities with low pressure drop.



20312-X

### Speed Controls

- Controls air flow on exhaust ports of air valves.
- Change cylinder operating speed by adjusting screw. Secure with lock nut.



20313-X

### Silencer

- Reduces noise of air powered motors and valves.
- For high SCFM applications. High flow, low back pressure with no build up.
- 300 PSI Max.



20308-X

## Ordering

### Breather Vents

Model Number	Port Size	Length In. (mm)	Hex
20311-1	1/8"	7/16 (11.1)	7/16
20311-2	1/4"	5/8 (15.9)	9/16
20311-3	3/8"	3/4 (19.1)	11/16
20311-4	1/2"	7/8 (22.2)	7/8
20311-6	3/4"	1 (25.4)	1-1/16
20311-8	1"	1-5/16 (33.3)	1-5/16

### Speed Controls

Model Number	Port Size	Length Closed	Length Open In. (mm)
20313-1	1/8"	1 3/8 (34.9)	2 (50.8)
20313-2	1/4"	1 9/16 (39.7)	2 3/16 (55.6)
20313-3	3/8"	1 7/8 (47.6)	2 13/16 (71.4)
20313-4	1/2"	2 1/4 (57.2)	3 5/16 (84.1)
20313-6	3/4"	2 3/4 (69.9)	3 13/16 (96.8)
20313-8	1"	3 1/4 (82.6)	4 5/8 (117.5)

### Muffler

Model Number	Port Size	Length In. (mm)	Hex
116464	10-32	23/32 (18.2)	5/16
20312-1	1/8"	1 1/8 (28.6)	7/16
20312-2	1/4"	1 3/8 (34.9)	9/16
20312-3	3/8"	1 1/2 (38.1)	11/16
20312-4	1/2"	1 7/8 (47.6)	7/8
20312-6	3/4"	2 1/4 (57.2)	11/16
20312-8	1"	1 7/8 (73.0)	1 5/16

### Silencer

Model	Ports	Diameter	Length
20308-1	1/8"	13/16	2-1/8
20308-2	1/4"	13/16	2-1/4
20308-3	3/8"	1-1/4	3-7/16
20308-4	1/2"	1-1/4	3-9/16
20308-6	3/4"	2	5-3/8
20308-8	1"	2	5-1/2

# Circuitry Valves

## Features

### 3-Way Sleeve Valve

- Provides low-cost on-off control of single-acting spring return cylinders.
- Use in both ports of double-acting cylinders to isolate from circuit.



600-X

## Performance Specifications and Ordering

**Maximum Pressure:** 200 PSI (13.8 bar)

**Temperature Range:** -25° - 200°F (-32° - 93°C)

Model Number	Port Size	10 PSI Pressure Drop (SCFM)	
		100 PSI	80 PSI
600-1	1/8"	16	14.5
600-2	1/4"	40	36
600-3	3/8"	65	59
600-4	1/2"	140	127

# Flow Controls

## Features

- 360° swivel eases tube alignment. Preapplied thread sealant.
- Choose threaded or instant tube fitting inlets; slotted or knob flow adjustment.
- Sturdy components include nickel-plated brass body, black anodized aluminum swivel, Buna-N seals and a stainless steel spring.
- Ready for installation on all ARO and competitive cylinders.
- Consult factory for BSP size models.

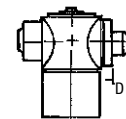
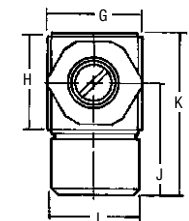
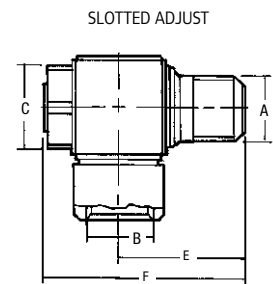
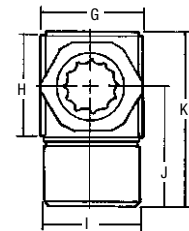
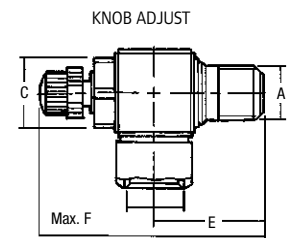
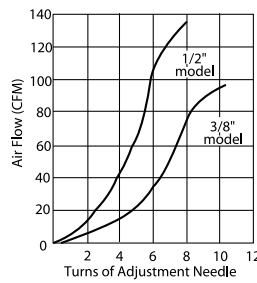
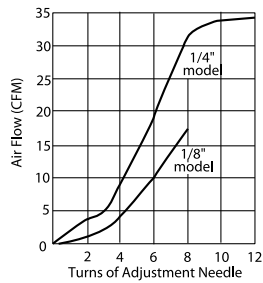
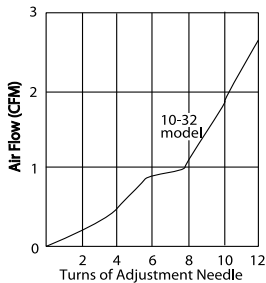


## Ordering

Slotted Adjust		Knob Adjust	
119307-XXX Male x Female thd	119309-XXX Male thd x fitting	119308-XXX Male x Female thd	119310-XXX Male thd x fitting
XXX Male x Female	XXX Male x Tubing	XXX Male x Female	XXX Male x Tubing
103 10-32x10-32	103 10-32 x 5/32"	125 1/8" x 1/8" NPT	120 1/8" x 5/32"
125 1/8" x 1/8" NPT	120 1/8" x 5/32"	250 1/4" x 1/4" NPT	125 1/8" x 1/4"
250 1/4" x 1/4" NPT	125 1/8" x 1/4"	375 3/8" x 3/8" NPT	250 1/4" x 1/4"
375 3/8" x 3/8" NPT	250 1/4" x 1/4"	500 1/2" x 1/2" NPT	255 1/4" x 3/8"
500 1/2" x 1/2" NPT	255 1/4" x 3/8"		375 3/8" x 3/8"
	375 3/8" x 3/8"		

## Performance Specifications

**Operating Pressure:** 15-150 PSI (1-10 bar)  
**Operating Temperature:** -32°F - 158°F



## Dimensions

Dimensions given in Inches and (Millimeters)

	Port Size "A" & "B"	"C" inches (mm)	"D" inches (mm)	"E" inches (mm)	"F" inches (mm)	"G" inches (mm)	"H" inches (mm)	"I" inches (mm)	"J" inches (mm)	"K" inches (mm)
SLOTTED ADJUST	10/32	5/16 (8)	1/8 (3.2)	27/64 (11)	53/64 (21)	27/64 (11)	11/32 (9)	7/16 (11)	37/64 (14.7)	53/64 (21.1)
	1/8	1/2 (13)	0	25/32 (19.8)	1-17/64 (32)	19/32 (15)	19/32 (15)	33/64 (13)	47/64 (18.5)	1-3/64 (26.7)
	1/4	43/64 (17)	0	1-1/64 (25.8)	1-39/64 (41)	3/4 (19)	3/4 (19)	23/32 (18)	7/8 (22.5)	1-19/64 (32.9)
	3/8	7/8 (22)	0	1-9/64 (29)	1-27/32 (47)	29/32 (23)	29/32 (23)	29/32 (23)	1-1/8 (28.5)	1-39/64 (41)
KNOB ADJUST	1/2	1-1/16 (27)	0	1-27/64 (36)	2-9/32 (58)	1-7/64 (28)	1-7/64 (28)	63/64 (25)	1-7/32 (31)	1-53/64 (46.3)
	1/8	33/64 (13)	0	25/32 (19.8)	1-7/8 (47.5)	19/32 (15)	19/32 (15)	33/64 (13)	47/64 (18.5)	1-3/64 (26.7)
	1/4	43/64 (17)	0	1-1/64 (25.8)	2-9/32 (58)	3/4 (19)	3/4 (19)	45/64 (18)	57/64 (22.5)	1-19/64 (32.9)
	3/8	7/8 (22)	0	1-9/64 (29)	2-37/64 (65.5)	29/32 (23)	29/32 (23)	29/32 (23)	1-1/8 (28.5)	1-39/64 (41)
	1/2	1-1/16 (27)	0	1-27/64 (36)	3-5/32 (80)	1-7/64 (28)	1-7/64 (28)	63/64 (25)	1-7/32 (31)	1-53/64 (46.3)

# Flow Controls

## Features

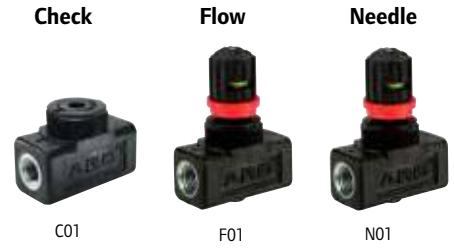
### In-Line, Composite

- Four Stage, tapered needle design provides infinite control settings.
- Composite body is tough and corrosion resistant.
- Color-coded micrometer & calibrated adjustment knob provide instant reference points for repeat settings. Press red locking ring down prevents adjustment. Tamper resistant wire supplied in package.
- Units are threaded for easy remote panel mounting. Order panel nuts below.
- Needle Valve is available with stainless steel needle & inserts. Order 104104-NS2.

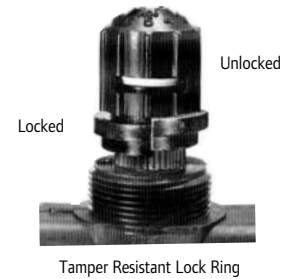
## Ordering

Position	1		2	3
Example:	104104	-	X	XX
Position 1 Series	Position 2 Valve Type	Position 3 Port Size		
104104	<b>C</b> Check Valve <b>F</b> Flow Control <b>N</b> Needle Valve	<b>01</b> 1/8-27 NTF SAE Short <b>02</b> 1/4-18 NTF SAE Short <b>03</b> 3/8-18 NTF SAE Short <b>04</b> 1/2-14 NTF SAE Short <b>06</b> 3/4-14 NTF SAE Short <b>S2*</b> 1/4-18 NTF SAE Short Stainless Steel inserts & stem		

\* Available on needle valve only.

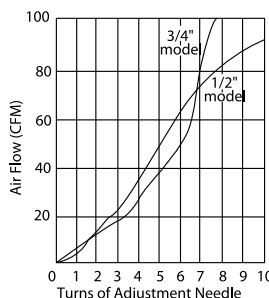
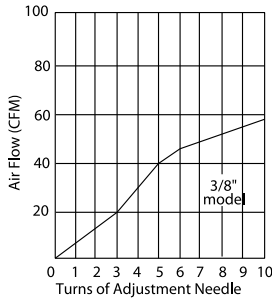
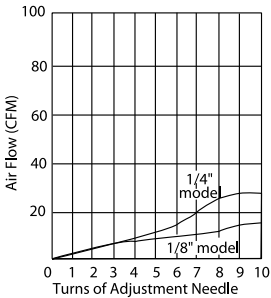
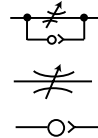


Panel Mounting Nuts	Port Size
104096	1/8" & 1/4"
104094	3/8", 1/2" & 3/4"

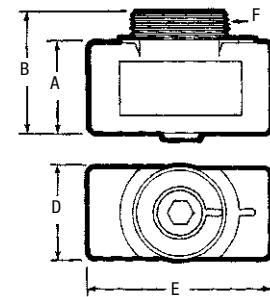


## Performance Specifications

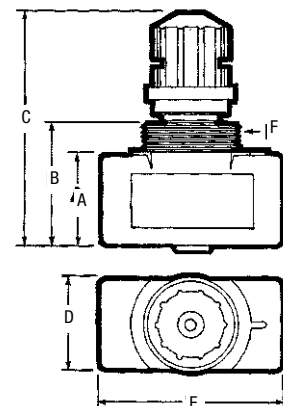
- Operating Pressure:** 200 PSI (13.8 bar)  
**Operating Temperature:** 0° - 200°F (-18° - 93°C)  
**Flow:** 100 PSI Inlet



### Check Valve



### Flow and Needle Valve



## Dimensions

Dimensions given in Inches and (Millimeters)

Model	Port* NPT(F)	A		C		D inches (mm)	E inches (mm)	F inches (mm)
		inches (mm)	B inches (mm)	Min.	Max.			
01	1/8-27	15/16 (23.8)	1-11/32 (34.1)	2-33/64 (63.9)	2-53/64 (71.6)	15/16 (23.8)	1-29/32 (48.4)	1-20 UNEF-2A
02	1/4-18	15/16 (23.8)	1-11/32 (34.1)	2-33/64 (63.9)	2-53/64 (71.6)	15/16 (23.8)	1-29/32 (48.4)	1-20 UNEF-2A
03	3/8-18	1-5/16 (33.3)	1-11/16 (42.9)	3-23/64 (85.3)	3-55/64 (97.8)	1-5/16 (33.3)	2-27/32 (72.2)	1-3/16-18 UNEF-2A
04	1/2-14	1-5/16 (33.3)	1-11/16 (42.9)	3-23/64 (85.3)	3-55/64 (97.8)	1-5/16 (33.3)	2-27/32 (72.2)	1-3/16-18 UNEF-2A
06	3/4-14	1-9/16 (39.7)	2 (50.8)	3-43/64 (93.3)	4-11/64 (105.7)	1-9/16 (39.7)	3 (76.2)	1-3/16-18 UNEF-2A

# Flow Controls

## Features

### In-Line, Brass

- CPXX-B\*** Check Valve
- FXX-BK** Flow Control
- NXX-BK** Needle Valve

- High Pressure (up to 2000 PSI) flow control for either pneumatic or hydraulic applications.
- Heavy-duty brass construction provides good corrosion resistance.
- Valve bodies, needle housings, locknuts and plugs are machined from brass stock.
- Cracking Pressure
  - CP10** - 1-1/2 PSI
  - CP20** - 1-1/2 PSI



F20-BK



CP20-B



N10-BK

## Ordering

### In-Line, Brass

Replace the "XX" with valve number corresponding to port size desired.

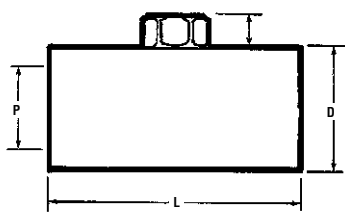
**Example:** F10-BK  
Flow Control Valve  
1/8" Ports

Model	Valve No. (XX)	NPTF Port	PD Hex	E	L	G
<b>FXX-BK</b> <b>NXX-BK</b> <b>CPXX-B*</b>	<b>10</b>	1/8	11/16	1-1/4	1-1/2	9/32
	<b>20</b>	1/4	7/8	1-1/4	2	5/16
	<b>25</b>	3/8	1-1/16	1-3/8	2-1/4	11/32
	<b>30</b>	1/2	1-5/16	1-3/8	2-21/32	3/8
	<b>35</b>	3/4	1-5/8	1-7/8	3	15/32

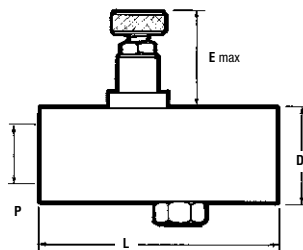
\* available in 1/8" and 1/4" only

## Dimensions Dimensions given in Inches and (Millimeters)

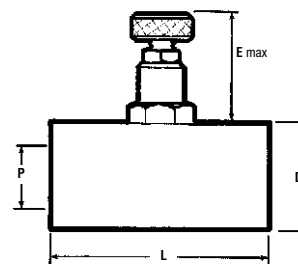
### In-Line, Brass



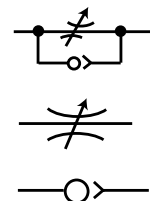
CPXX-B



FXX-BK



NXX-BK



# Solenoid Accessories

## Features

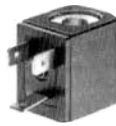
### Coils

- Coils are Class F rated for 100% duty cycle (311°F/155°C) applications.
- AC and DC coils are interchangeable on the same solenoid stem.
- Low “inrush” and “holding” current keeps heat rise to a minimum. This maximizes coil life and reduces power consumption.

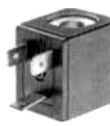
Code / Voltage	Code / Voltage
31 = 12V AC	38 = 24V AC or 12V DC
33 = 120V AC	(22mm Coils only)
35 = 240V AC	39 = 24V DC



115046-XX



115064-XX



116218-XX



116647-XX



119690-XX



119416 Side exhaust coil nut.



117345-XX ATEX

### Connectors

- Protect electrical connections from humidity and moisture. Meet NEMA 4 classifications
- Each is its own junction box, eliminating need to wire solenoid to another box.



CHW



CHL-XXX



CDN, CDW  
CDL-XXX



CBW



CSN  
CSL-XXX



CDW-30



CSN-30



CHW-30

### Hazardous Location Coil

Coils are CSA certified and meet the requirements for use in hazardous locations.

**Environmental Code:** Division 1, Class I, II, III, Group A-G

**FM Certification:** 3006713

**Electrical Entry:** 1/2" - 14 NPT-1 w/24" Lead Wires  
Class “H” rated, 100% duty cycle

Available in 120V AC & 24V DC only



114772-XX (30mm wide)

## Ordering

### Coils

(Replace XX on model number with coil voltage required.)

#### 115046-XX Cable Coil (NEMA 4, 22mm)

10' AWG UL-listed elastomer cable. No solenoid connector needed.

#### 115064-XX Low Watt Coil (DC only) (NEMA 4, 22mm)

Low DIN coil. DC only, for use with 3-prong connectors.  
12 and 24V DC only. Used only on valves ordered as low wattage.

#### 116218-XX Standard Coil cURus listed (NEMA 4, 22mm)

AC or DC DIN coil for use with 3-prong connectors.

#### 116647-XX Coil with Molded Leads cURus listed (NEMA 4, 22mm)

AC or DC lead wire coil with 18" molded leads. No solenoid connector needed.

#### \*119690-XX Oversize (NEMA 4, 30 mm)

High Flow Cat Valve and 2-way Valve coil.  
Available in -32, -33, -35, -38 and -39 voltages

#### 117345-XX ATEX

- NEC/CEC: Class I & II, Div 1 & 2, Group A-D
- ATEX: Zone 1&2, 21&22

\* NOTE: -38 option is 12 VDC only on 30mm coils. 24 VAC is not available  
See Page 70 for Voltage Operating Ranges and Voltage Ratings.

### Connectors

#### 22-mm Connectors:

(Replace XXX with voltage and type from chart below)

- CHW** Straight connector with cable (36") located on top.
- CBW** Straight connector with cable (36") located on back.
- CHL-XXX** Straight connector (36") with indicator light located on back.
- CSN** Strain Relief, without indicator light or cable.
- CSL-XXX** Strain Relief with indicator light located on back.
- CDN** 1/2" Conduit without lights or lead wires.
- CDW** 1/2" Conduit without lights, 18" lead wires.
- CDL-XXX** 1/2" Conduit with light and 18" lead wires.

#### 30-mm Connectors:

Use with High Flow Cat & intrinsically safe Genesis Valves

- CDW-30** Connector with wire.
- CSN-30** Connector, strain relief.
- CHW-30** Connector, molded cable.

Voltage XXX)	
012 = 12V AC/DC	120 = 120V AC
024 = 24V AC/DC	240 = 240V AC/DC

# Solenoid Accessories

## Performance Specifications

### Coils

#### Voltage Operating Ranges

Coil Voltage Ratings	Operating Range AC	Operating Range DC $\pm 10\%$
12	11-13	11-13
24	22-26	22-26
120	108-132	108-132
240	216-264	--
380	342-418	--

22 mm Coil	Current (Amps)	Watts
12 DC	0.38	5.4
24 DC	0.20	5.4
120 DC	0.04	5.4
12, 24 DC	.05	1.1

30 mm Coil	Current (Amps)	Watts
12 DC	0-.62	15
24 DC	0.62	15
24 DC	(Hazardous Duty)	5

#### 22 mm Coil Voltage Ratings

Coil Voltage Rating	50/60 Hz Current (Amps)		50/60 Hz Volt-Amps	
	Inrush	Holding	Inrush	Holding
12AC	.70/.63	.50/.42	8.4/7.5	6.0/5.0
24AC	.46/.40	.36/.27	11.0/9.4	8.4/6.5
120AC	.09/.08	.07/.05	11.0/9.4	8.4/6.5
240AC	.05/.04	.04/.03	11.0/9.4	8.4/6.5
380AC	.03/.026	.024/.019	11.4/9.9	9.1/6.9

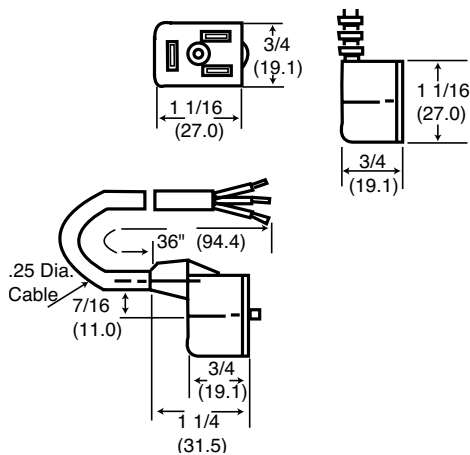
#### 30 mm Coil Voltage Ratings

Coil Voltage Rating	50/60 Hz Current (Amps)		50/60 Hz Volt-Amps	
	Inrush	Holding	Inrush	Holding
24AC	--	--	23	20
120AC	--	--	23	20
120AC	(Hazardous Duty)		11.5	8.5

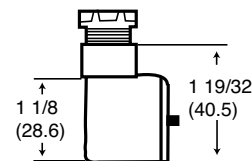
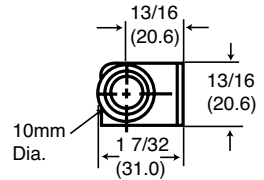
## Dimensions Dimensions given in Inches and (Millimeters)

### Connectors

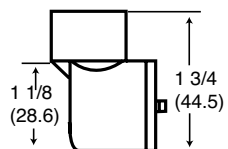
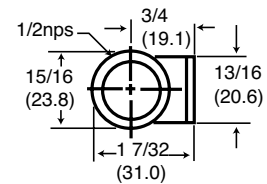
#### Straight Connectors



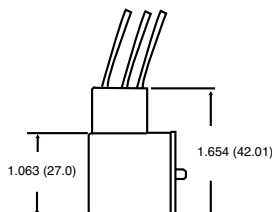
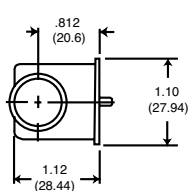
#### CSN 22 mm Strain Relief



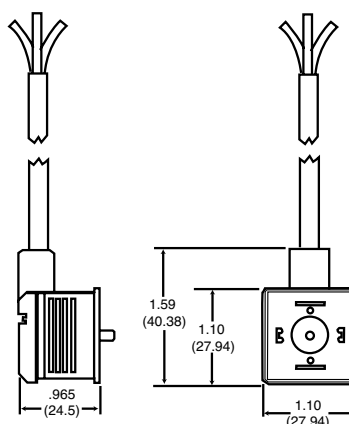
#### 1/2" Conduit Connector



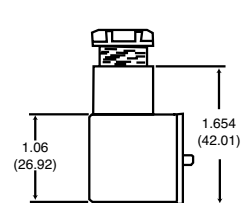
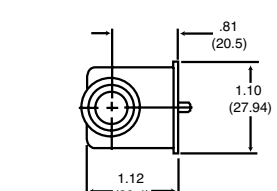
#### CDW-30



#### CHW-30



#### CSN-30 30 mm Strain Relief





# Repair Kits

## Ordering

### Alpha Valves

Valve Model	Kit Number
All 2-Position, Spring Return, Urethane	<b>118597-2</b>
All 2-Position, Pilot or Solenoid Return, Urethane	<b>118597-12</b>
All 2-Position, Spring Return, Viton	<b>118598-4</b>
All 2-Position, Pilot or Solenoid Return, Viton	<b>118598-14</b>
3-Position, Closed, Urethane	<b>118597-3</b>
3-Position, Open, Urethane	<b>118597-7</b>
3-Position, Closed, Viton	<b>118598-8</b>
3-Position, Open, Viton	<b>118598-9</b>

### Sierra Valves

Model Number	Repair Kit
All Sierra Model 15	<b>MQ3620</b>
M812SS-XXX-X	<b>RKM812-SS</b>
M812SD-XXX-X	<b>RKM812-SD</b>
M813SD-XXX-X	<b>RKM813-SD</b>

### 50-Series Valves

Model Number	Repair Kit
All Models	<b>7000</b>

### E-Series Valves

Model	Repair Kit	Model	Repair Kit	Model	Repair Kit	Model	Repair Kit	Model	Repair Kit
E112HM	<b>116772</b>	E212JD	<b>116702</b>	E252BD	<b>116773</b>	E252LP	<b>116772</b>	E712LS	<b>116773</b>
E112LM	<b>116772</b>	E212KD-XXX-X	<b>116702</b>	E252BS	<b>116772</b>	E252LS	<b>116772</b>	E312SD-XXX	<b>116773</b>
E112PD	<b>116773</b>	E212KS-XXX-X	<b>116702</b>	E252CA	<b>116772</b>	E252PA	<b>116772</b>	E512LM	<b>116772</b>
E152HM	<b>116772</b>	E212LA	<b>116772</b>	E252CS	<b>116772</b>	E252PD	<b>116773</b>	E612LM	<b>116772</b>
E152LM	<b>116772</b>	E212LM	<b>116772</b>	E252CP	<b>116772</b>	E252PE	<b>116772</b>	E712SD-XXX-X	<b>116773</b>
E152PD	<b>116773</b>	E212LP	<b>116772</b>	E252FA	<b>116772</b>	E252PS	<b>116772</b>	<b>Solenoid Operator</b>	
E212BS	<b>116772</b>	E212LS	<b>116772</b>	E252FP	<b>116772</b>	E252RA	<b>116772</b>	E212KD-XXX-X	<b>116575</b>
E212BD	<b>116773</b>	E212PA	<b>116772</b>	E252FS	<b>116772</b>	E252RP	<b>116772</b>	E212KS-XXX-X	<b>116573</b>
E212CA	<b>116772</b>	E212PD	<b>116773</b>	E252GA	<b>116772</b>	E252RS	<b>116772</b>	E212SA-XXX-X	<b>116573</b>
E212CS	<b>116772</b>	E212PE	<b>116772</b>	E252GS	<b>116772</b>	E252SA-XXX-X	<b>116772</b>	E212SP-XXX-X	<b>116573</b>
E212CP	<b>116772</b>	E212PS	<b>116772</b>	E252HA	<b>116772</b>	E252SN-XXX-X	<b>116772</b>	E212SD-XXX-X	<b>116575</b>
E212FA	<b>116772</b>	E212RA	<b>116772</b>	E252HM	<b>116772</b>	E252SP-XXX-X	<b>116773</b>	E212SS-XXX-X	<b>116573</b>
E212FP	<b>116772</b>	E212RP	<b>116772</b>	E252HP	<b>116772</b>	E252SS-XXX-X	<b>116772</b>	E252KS-XXX-X	<b>116573</b>
E212FS	<b>116772</b>	E212RS	<b>116772</b>	E252HS	<b>116772</b>	E252TM	<b>116772</b>	E252SA-XXX-X	<b>116573</b>
E212HA	<b>116772</b>	E212SA-XXX-X	<b>116772</b>	E252JS	<b>116702</b>	E252UA	<b>116772</b>	E252SN-XXX-X	<b>116573</b>
E212HM	<b>116772</b>	E212SD-XXX-X	<b>116773</b>	E252JD	<b>116702</b>	E252US	<b>116772</b>	E252SP-XXX-X	<b>116573</b>
E212HP	<b>116772</b>	E212SP-XXX-X	<b>116773</b>	E252KS-XXX-X	<b>116702</b>	E312LS	<b>116773</b>	E252SS-XXX-X	<b>116573</b>
E212HS	<b>116772</b>	E212SS-XXX-X	<b>116772</b>	E252LA	<b>116772</b>	E312PD	<b>116773</b>	E312SD-XXX-X	<b>116575</b>
E212JS	<b>116702</b>	E212TM	<b>116772</b>	E252LM	<b>116772</b>	E312TS	<b>116773</b>	E712SD-XXX-X	<b>116575</b>

### MaxAir Valves

Model	Repair Kit
M212LM	<b>RKM212-LM</b>
M212LS	<b>RKM212-LM</b>
M212PD	<b>RKM212-PD</b>
M212PS	<b>RKM212-PS</b>
M212SD-XXX-X	<b>RKM212-SD</b>
M212SS-XXX-X	<b>RKM212-SS</b>
M252SS-XXX-X	<b>RKM212-SS</b>
M213LM	<b>RKM213-LM</b>
M213LS	<b>RKM213-LS</b>
M213PD	<b>RKM213-PD</b>
M213PS	<b>RKM213-PS</b>
M213SD-XXX-X	<b>RKM213-SD</b>
M213SS-XXX-X	<b>RKM213-SS</b>
M214-PD	<b>RKM214-PD</b>
M214PS	<b>RKM214-PS</b>
M214SD-XXX-X	<b>RKM214-SD</b>
M214SS-XXX-X	<b>RKM214-SS</b>
M2X2FS	<b>114645</b>
M2X2TM	<b>114645</b>
M312PD	<b>RKM312-PD</b>
M312SD-XXX-X	<b>RKM312-SD</b>
M313PD	<b>RKM313-PD</b>
M313SD-XXX-X	<b>RKM313-SD</b>
M314PD	<b>RKM314-PD</b>
M314SD-XXX-X	<b>RKM314-SD</b>

# Repair Kits

## Ordering

### H-Series

Model	Repair Kit	Model	Repair Kit	Model	Repair Kit	Model	Repair Kit
H212BD	<b>7103</b>	H214PD	<b>7103</b>	H243SD-XXX-X	<b>7103</b>	<b>SOLENOID OPERATOR</b>	
H212PA	<b>7103</b>	H214SA-XXX-X	<b>7103</b>	H252PS	<b>7102</b>	H212SA-XXX-X	<b>116572</b>
H212PD	<b>7103</b>	H214SD-XXX-X	<b>7103</b>	H252SS-XXX-X	<b>7102</b>	H212SD-XXX-X	<b>116574</b>
H212SA-XXX-X	<b>7103</b>	H242BD	<b>7103</b>	H253PS	<b>7102</b>	H213SA-XXX-X	<b>116572</b>
H212SD-XXX-X	<b>7103</b>	H242PA	<b>7103</b>	H253SS-XXX-X	<b>7102</b>	H213SD-XXX-X	<b>116574</b>
H213BD	<b>7103</b>	H242PD	<b>7103</b>	H254PS	<b>7102</b>	H214SA-XXX-X	<b>116572</b>
H213PA	<b>7103</b>	H242SA-XXX-X	<b>7103</b>	H254SS-XXX-X	<b>7102</b>	H214SD-XXX-X	<b>116574</b>
H213PD	<b>7103</b>	H242SD-XXX-X	<b>7103</b>	H282PS	<b>7102</b>	H242SA-XXX-X	<b>116572</b>
H213SA-XXX-X	<b>7103</b>	H243BD	<b>7103</b>	H282SS-XXX-X	<b>7102</b>	H242SD-XXX-X	<b>116574</b>
H213SD-XXX-X	<b>7103</b>	H243PA	<b>7103</b>	H283PS	<b>7102</b>	H243SA-XXX-X	<b>116572</b>
H214BD	<b>7103</b>	H243PD	<b>7103</b>	H283SS-XXX-X	<b>7102</b>	H243SD-XXX-X	<b>116574</b>
H214PA	<b>7103</b>	H243SA-XXX-X	<b>7103</b>	-	-	H252SS-XXX-X	<b>116572</b>
						H253SS-XXX-X	<b>116572</b>
						H254SS-XXX-X	<b>116572</b>
						H282SS-XXX-X	<b>116572</b>

### K-Series

Model	Repair Kit	Model	Repair Kit	Model	Repair Kit	Model	Repair Kit	Model	Repair Kit	Model	Repair Kit
K213BS	7006	K233PD	7006	K244BD	7006	K314BD	7006	K713SD-XXX-X	7006	<b>SOLENOID OPERATOR CONT.</b>	
K213FP	7006	K233PS	7006	K244BS	7006	K334TS	7006	K713TS	7006	K234SD-XXX-X	116578
K213FS	7006	K233RS	7008	K244FP	7006	K336PD	7010	K714LS	7006	K234SS-XXX-X	116578
K213HS	7006	K233SD-XXX-X	7006	K244FS	7006	K336SD-XXX-X	7010	K714PD	7006	K236SD-XXX-X	116579
K213LM	7006	K233SS-XXX-X	7006	K244LM	7006	K338PD	7010	K714SD-XXX-X	7006	K236SS-XXX-X	116579
K213LS	7006	K233TM	7006	K244LS	7006	K338SD-XXX-X	7010	K714TS	7006	K238SD-XXX-X	116579
K213PD	7006	K234BD	7006	K244PD	7006	K343LS	7006	K716PD	7010	K238SS-XXX-X	116579
K213PS	7006	K234BS	7006	K244PS	7006	K343PD	7006	K716SD-XXX-X	7010	K243SD-XXX-X	116578
K213RS	7008	K234FP	7006	K244RS	7008	K343SD-XXX-X	7006	K718PD	7010	K243SS-XXX-X	116578
K213SD-XXX-X	7006	K234FS	7006	K244SD-XXX-X	7006	K343TS	7006	K718SD-XXX-X	7010	K244SD-XXX-X	116578
K213SS-XXX-X	7006	K234LM	7006	K244SS-XXX-X	7006	K344LS	7006	K733PD	7006	K244SS-XXX-X	116578
K213TM	7006	K234LS	7006	K244TM	7006	K344PD	7006	K733LS	7006	K246SD-XXX-X	116579
K214BS	7006	K234PD	7006	K246BD	7010	K345SD-XXX-X	7006	K733SD-XXX-X	7006	K246SS-XXX-X	116579
K214BD	7006	K234PS	7006	K246BS	7010	K344TS	7006	K733TS	7006	K248SD-XXX-X	116579
K214FP	7006	K234RS	7008	K246PD	7010	K346PD	7010	K734PD	7006	K248SS-XXX-X	116579
K214FS	7006	K234SD-XXX-X	7006	K246PS	7010	K346SD-XXX-X	7010	K734LS	7006	K313SD-XXX-X	116578
K214LM	7006	K234SS-XXX-X	7006	K246RS	7012	K348PD	7010	K734SD-XXX-X	7006	K314SD-XXX-X	116578
K214LS	7006	K234TM	7006	K246SD-XXX-X	7010	K348SD-XXX-X	7010	K734TS	7006	K316SD-XXX-X	116579
K214PS	7006	K236BD	7010	K246SS-XXX-X	7010	K513LM	7007	K736PD	7010	K318SD-XXX-X	116579
K214PD	7006	K236BS	7010	K248BD	7010	K513TM	7007	K736SD-XXX-X	7010	K333SD-XXX-X	116578
K214RS	7008	K236PD	7010	K248BS	7010	K514LM	7007	K738PD	7010	K334SD-XXX-X	116578
K214SD-XXX-X	7006	K236PS	7010	K248PD	7010	K514TM	7007	K738SD-XXX-X	7010	K336SD-XXX-X	116579
K214SS-XXX-X	7006	K236RS	7012	K248PS	7010	K533LM	7007	K743LS	7006	K338SD-XXX-X	116579
K214TM	7006	K236SD-XXX-X	7010	K248RS	7012	K533TM	7007	K743SD-XXX-X	7006	K343SD-XXX-X	116578
K216BD	7010	K236SS-XXX-X	7010	K248SD-XXX-X	7010	K534LM	7007	K743TS	7006	K344SD-XXX-X	116578
K216BS	7010	K238BS	7010	K248SS-XXX-X	7010	K534TM	7007	K744LS	7006	K346SD-XXX-X	116579
K216PD	7010	K238BD	7010	K313LS	7006	K543LM	7007	K744PD	7006	K348SD-XXX-X	116579
K216PS	7010	K238PD	7010	K313PD	7006	K543TM	7007	K744SD-XXX-X	7006	K713SD-XXX-X	116578
K216RS	7012	K238PS	7010	K313TS	7006	K544LM	7007	K744TS	7006	K714SD-XXX-X	116578
K216SD-XXX-X	7010	K238RS	7012	K314LS	7006	K544TM	7007	K746PD	7010	K716SD-XXX-X	116579
K216SS-XXX-X	7010	K238SD-XXX-X	7010	K314PD	7006	K613LM	7007	K746SD-XXX-X	7010	K718SD-XXX-X	116579
K218BD	7010	K238SS-XXX-X	7010	K314SD-XXX-X	7006	K613TM	7007	K748PD	7010	K733SD-XXX-X	116578
K218BS	7010	K243BD	7006	K314TS	7006	K614LM	7007	K748SD-XXX-X	7010	K734SD-XXX-X	116578
K218PD	7010	K243BS	7006	K316PD	7010	K614TM	7007	<b>SOLENOID OPERATOR</b>			
K218PS	7010	K243FP	7006	K316SD-XXX-X	7010	K633LM	7007	K213SD-XXX-X	116578	K736SD-XXX-X	116579
K218RS	7012	K243FS	7006	K318PD	7010	K633TM	7007	K213SS-XXX-X	116578	K738SD-XXX-X	116579
K218SD-XXX-X	7010	K243LM	7006	K318SD-XXX-X	7010	K634LM	7007	K214SD-XXX-X	116578	K743SD-XXX-X	116578
K218SS-XXX-X	7010	K243LS	7006	K333LS	7006	K634TM	7007	K214SS-XXX-X	116578	K746SD-XXX-X	116579
K233BD	7006	K243PD	7006	K333PD	7006	K643LM	7007	K216SD-XXX-X	116579	K748SD-XXX-X	116579
K233BS	7006	K243PS	7006	K333SD-XXX-X	7006	K643TM	7007	K216SS-XXX-X	116579		
K233FP	7006	K243RS	7008	K333TS	7006	K644LM	7007	K218SD-XXX-X	116579		
K233FS	7006	K243SD-XXX-X	7006	K334LS	7006	K644TM	7007	K218SS-XXX-X	116579		
K233LM	7006	K243SS-XXX-X	7006	K334PD	7006	K713LS	7006	K233SD-XXX-X	116578		
K233LS	7006	K243TM	7006	K334SD-XXX-X	7006	K713PD	7006	K233SS-XXX-X	116578		

# APLC

## Features

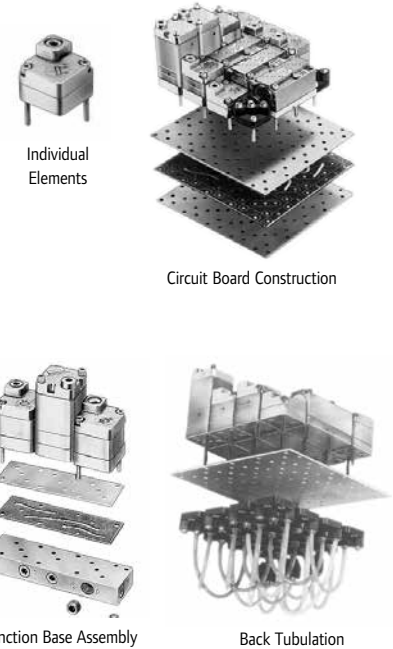
### Aro Pneumatic Logic Control Overview

**Elements:** Elements are miniature diaphragm operated poppet valves designed to perform specific functions. This includes “Or,” “And,” “Not,” plus various “Memory” and “Delay” functions. Elements are designed so response times, shift ratios, flow and exhaust capacities are closely matched and all are compatible in a total system. This compatibility simplifies circuit design.

**Circuit Board Construction:** Aro’s patented circuit board construction uses a gasket and two metal plates to create a custom air manifold. Interconnections between the elements are cut into the gasket (module) and sealed between the metal plates. The result is a completely interconnected circuit without tubing or fittings. Two gasket modules are used for more complex circuits. Circuit Boards produce a smaller circuit package at lower cost; increased tamper resistance; and provide a clean, neat assembly.

**Function Base Assembly Method:** A Function Base can be used when circuits require four or less elements. This consists of a gasket module, a thin metal plate and a porting strip. Interconnections between the elements are cut into the module. The porting strip has 1/8” NPTF ports, eliminating the need for porting blocks. This method can be mounted on any flat surface; it provides a neat, durable assembly; and it increases tamper resistance.

**Back Tubulation Construction:** This method uses a thin metal plate (base plate) and porting blocks for each element. Each block has built in fittings for 5/32” (4mm) tubing. Element interconnections are made by connecting tubes to these fittings. Back tubulation is often used for “bread boarding” new circuits, air circuit training and if circuits are frequently changed.



## Performance Specifications

### Air Supply Preparation

**Recommended Filtration:** Filter air with a 40 micron filter or better. Additional screens in the base of timing function elements and amplifiers prevent large particles from entering the element.

**Recommended Lubrication:** None required for individual elements, or for circuits including timing functions or amplifiers.

**Moisture:** All metal parts are chromate plated to resist corrosion from moisture and many chemicals. A dry air supply is recommended for maximum repeatability of timing and sensing functions.

### Operating Air:

**Operating Pressure:** 30-125 PSI (2-9 bar). Two-hand anti-tie-down devices require 50-125 PSI (3.5-9 bar).

### Shift Pressures:

**Snap-Acting Elements** (And, Not, Inhibitor, S/R -- Mem, Delay and Pulse) shift when the pilot pressure exceeds 70% of the supply. They return when pilot pressure is less than 40% (Inhibitor 5%) of the supply.

**Non-Snap-Acting** Elements (Or -- Flip-Flop) have a shift pressure of 50% of supply pressure.

### Flow & Cv Factors:

Dependent on specific elements and flow paths.

**Flow** = 9.3-16.2 SCFM, **Cv** = .14-.28

### Identification:

**Symbols:** Each element has a symbol based on the National Standard for diagramming moving part logic control (attached method).

**Port Identification:** Letters cast into the cover and base of each element correspond to input and output designations.

**Mounting:** Elements have 5/8” (15.9mm) bolt extensions. All mounting hardware and seals are provided with each element.

**Test Ports:** Many elements have 1/8” NPT ports connected to the “C” (output) port. These can be used as optional output ports, or as test ports.

### Anticipated Life:

**Element Life:** APLC elements have proven extremely durable, operating many millions of cycles, or several years, without failure.

If needed, repair kits or parts are available for most elements.

# APLC - 2 Hand Anti-Tie-Down

## Features

### 2 Hand Anti-tie down (ATD)

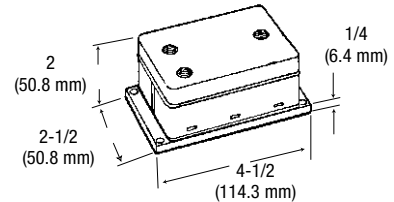
- Ideal for machines where position of operator's hands must be monitored.
- Actuate and hold both air valve buttons concurrently to maintain an output air signal. If either push button is released, the output air signal is exhausted, indicating the operator's hands are no longer in position.
- Operating Pressures: 50-125 PSI (3.5-8.6 bar). Designed to comply with OSHA regulations.

Warning: These provide only the anti-tie down logic function and are not stroke limiting devices. On machines with full revolution clutches and/or where repeat cycles can occur, approved safety and/or single stroke devices must be used in conjunction with the anti-tie down units.

## Elements

### 59191 Base Mounted

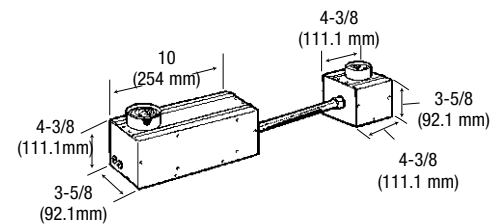
- Element has three 1/8" NPTF ports on top. 2 inputs, 1 output.
- Element is base mounted.  
See page 101 for additional information



## Packages

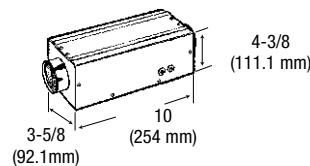
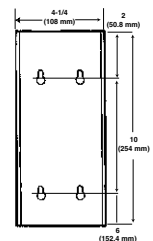
### 59808

- Includes two enclosures with green push button valves separated by a length of flexible conduit. External supply and output to machine is made by 5/32" (4mm) instant tube fittings.
- Comes assembled with all internal connections ready to install on machine.
- Palm Buttons are 30" center to center.



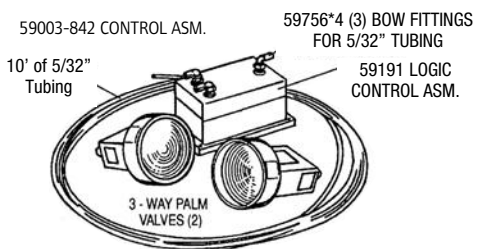
### 59809

- Green push buttons located on opposite ends of a single enclosure. External supply and output to machine is made by 5/32" (4mm) instant tube fittings.
- Comes assembled with all internal connections ready to install on machine.



### 59003-842

- Unassembled package.
- Includes 59191 anti-tie-down block, two 461-3 palm buttons with 20975 guards, 10 feet of 5/32" tubing and fittings for 59191.
- Customer can custom fit components to machine.



# APLC - Specialty Circuit Blocks\*

## Accessories

### 59860 Signal Standardizer

- Converts an input signal of any duration into a timed output signal.
- Built in 4-way function in which two output signals are provided; one normally on, the other normally off.
- Can be used for 3-way and 4-way valves of all types including single and double pilot-operated models.
- Timing Range is 0.1 to 3 seconds. Longer with use of an accumulator. Each additional cu. in. of space added will give an extra 8 seconds of timing.
- Use filtered, dry, non-lubricated air. 50-125 psi (3.5-8.6 bar)
- See page 79 for additional information.



59860



59861



59917

### 59861 Oscillator Circuit

- Use in applications involving cycling and oscillating valves and cylinders for manufacturing and testing; as well as, pumping, sorting and painting.
- Has two dial timers so both phases can be adjusted independently.
- Can be used for all types of 3-way and 4-way valves.
- Recommended Timing Range of .1 to 3 seconds. Longer when using an accumulator. Each additional cu. in. of space added will give an extra 8 seconds of timing.
- See page 79 for additional information.

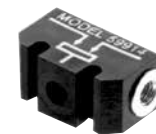
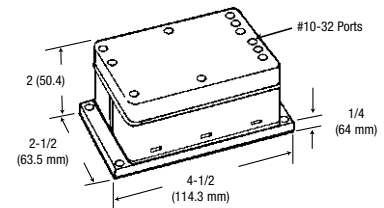
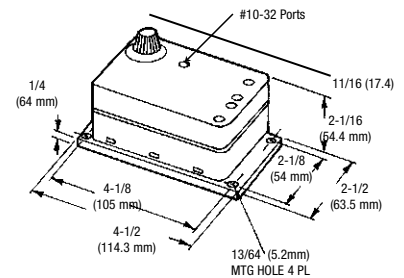
NOTE: For set-up or trouble-shooting, time delay functions can be adjusted far beyond their recommended range; however, if their normal operating time is longer than 3 seconds, additional volume should be connected to the port marked "Acu" (to the right of the adjustment dial). Each cubic inch additional volume connected to this port will increase the maximum range of the time delay by 8 seconds. A pressure gauge tee'd into the accumulator port can be very valuable as a visual aid when adjusting timers with extended ranges.

### 59917 Binary Flip-Flop

- With supply on, output one or output two will be on and the other off.
- Pressurizing the trigger port switches the outputs between on and off.

NOTE: All Flex-6 units have 10/32" ports.

### Dimensions for Base Mounted Units Ports are 10/32 Threads



59914



59913

## In Line Logic Elements

### 59914 "OR" Element

- Connects two inputs to one output. The output will be on when either, or both, inputs are on.

### 59913 "AND" Element

- Connects two inputs to one output. The output will be on when both inputs are on.

**Operating Press:** 30-150 PSIG (2-10 bar)

**Operating Temp:** 32°-160°F (0°-71°C)

**Ports:** #10-32 threads

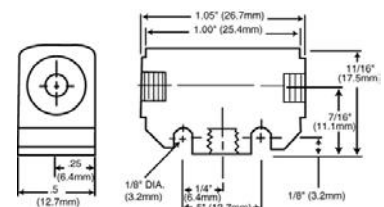
**Shuttle/Poppet:** Buna N

**Body Material:** Acetal Resin

**Inserts:** Aluminum

**Flow:** "OR" = 4 SCFM, "AND" = 3.2 SCFM

**Cv:** "OR" = .11, "AND" = .09



\* See page 79 for sample application circuits

# APLC - Flex 6

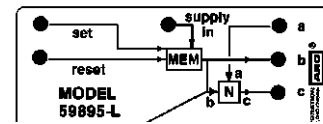
## Features

### Flex 6

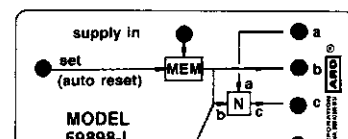
#### Designed to Control Sequential Type Machines

- Simplifies design & installation of control circuits.
- Circuit changes or additions can be accomplished in seconds.
- Very economical for simple air operated machines and fixtures.
- Ideal for harsh and explosive environments.
- All ports are 10/32 threads.
- Use filtered, dry, non-lubricated air. 50-125 psi (3.5-8.6 bar)

**Set/Reset Memory:** The first step in each Flex-6 circuit is controlled by a set/reset memory. A momentary start signal pressurizes the set port, causes the memory to go on and starts the sequence. The memory remains on until the reset port is pressurized (end of cycle or emergency stop). Loss of supply pressure also resets the memory (output off).

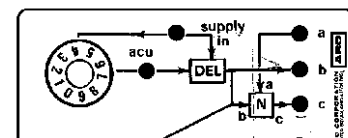


Set/Reset Memory



Automatic Reset

**Automatic Reset Memory:** Other Flex-6 memory functions automatically reset. A momentary signal at the set port causes the memory output to go on, provided the previous stage is on. The output will remain on until the entire circuit is reset. This memory has the ability to ignore signals arriving at the wrong time and will reset regardless of the set input condition. You don't need to analyze if the set signal is momentary or maintained, nor are you required to connect limit valves in series with a previous output.



Timer Adjustment

**Timer Adjustment:** Each time delay has a numbered dial (the numbers act as reference only). Screwdriver adjustment and fixed delay models are available on special order.

**Adjustment Range:** The recommended adjustment range is .1 to 3 seconds. If normal operating time is longer than 3 seconds, additional volume should be connected to the port marked "ACU." Each cubic inch additional volume connected to this port increases maximum time delay by 8 seconds.

**Sequence Controlled with Input Signals:** If all steps are started by input signals, use one 59897 start/stop unit and an additional 59898 unit as required to complete the sequence.

**Sequence Controlled by Time Delay Functions:** If all steps are started by time delay (with the exception of the start button) use one piece 59895 start/stop unit and an additional 59896 to complete the sequence.

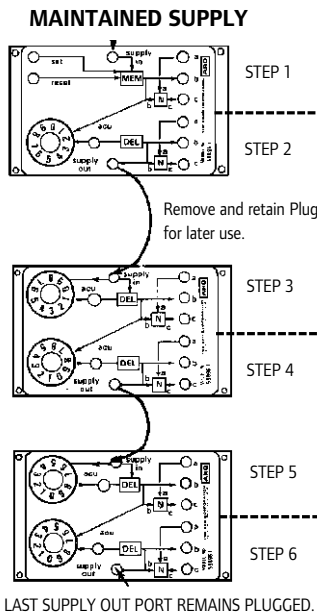
**Both Input and Time Delay used to Control a Sequence:** Mixed circuits are easily accomplished by selecting from the units previously mentioned, plus two more. Models 59899 and 59900 provide a combination of a time delay and an input signal functions in a single unit. Using the 59899 and 59900 gives you the exact unit needed for all mixed circuits.

# APLC - Flex 6

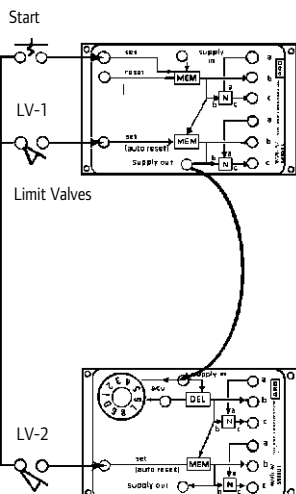
## Set-up

### Steps to Connecting Flex-6 Units

1. Arrange the units in the order and sequence they are used (steps 1 and 2 top, 3 and 4 next, etc.).
2. Connect a maintained supply to the "supply in" port of the first unit. Then connect the "supply out" of the first unit to the "supply in" of the second unit. Connect subsequent units in this manner. The last "supply out" port will remain plugged.



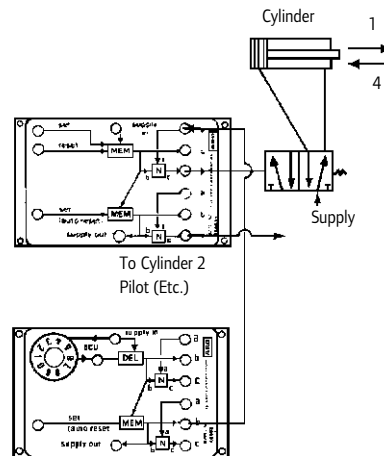
3. Connect the set input signals. The start signal and all other input signals are connected to the set ports of the units they will start.



4. Connect and "program" the outputs. Each unit has three ports on the right side marked "A," "B," and "C." The "C" port is the output and is connected to the pilot valve or other device causing action for each stage. The "C" output signal can be removed by a signal (maintained) to the "A" port. The "B" ports are used to provide this maintained signal.

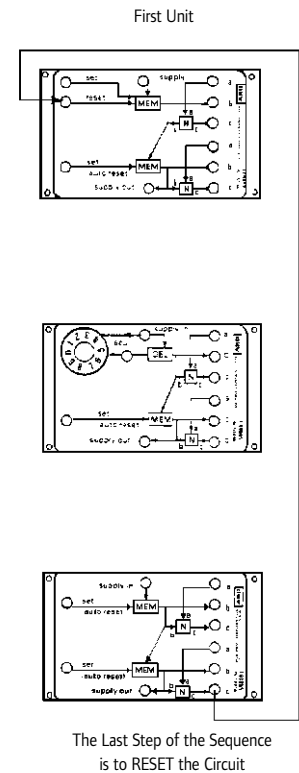
**Example:** Cylinder 1 extends in step 1 and retracts in step 4. The "C" port of step 1 is connected to a spring return pilot valve which extends the cylinder. The "B" port of step 4 is connected to the "A" port of step 1. This accomplishes the retract function.

NOTE: Once these connections have been made, plug all "B" and "C" ports not used. "A" ports not used remain open.



Remove plug and connect to "A" port to remove "C."

5. Connect the reset signal from the last step in sequence to the port marked "reset" in the first. This signal resets the circuit, making it ready to start a new cycle.



All Ports are 10/32

# APLC - Flex 6

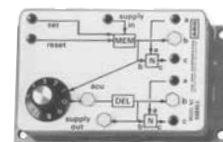
## Features

### Flex 6 Individual Units

#### 59895 S/R Mem-Delay Model

The first unit in a Flex-6 circuit when step two is a delay function. The first output is caused by the start input signal. The second output is caused by a time delay following the first output.

Flex 6 Dimensional Data is located on Pg. 86.

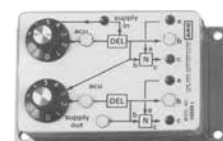


59895

#### 59896 Double Delay

Used as the second unit, or later, in circuits when two time delay functions are needed. The first output is caused by a time delay after the supply signal is applied. The second output is caused by a time delay following the first output.

Flex 6 Dimensional Data is located on Pg. 86.

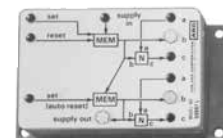


59896

#### 59897 S/R Mem-Auto Mem Model

The first unit in Flex-6 circuits when step two is an input signal. The first output is caused by the start input signal. The second output is caused by a second input signal.

Flex 6 Dimensional Data is located on Pg. 86.

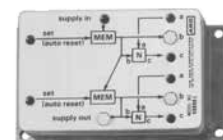


59897

#### 59898 Double Auto Mem Model

Used as the second unit, or later, in circuits when two input signals are available. Both outputs are caused by their respective inputs and both are controlled by automatic reset memory functions.

Flex 6 Dimensional Data is located on Pg. 86.

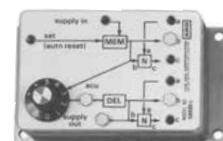


59898

#### 59899 Auto Mem-Delay Model

Used as the second unit, or later, in Flex-6 circuits when an input signal and a delay function are required. The first output is caused by an input signal. The second output is caused by a time delay following the first output.

Flex 6 Dimensional Data is located on Pg. 86.

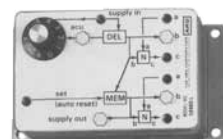


59899

#### 59900 Delay-Auto Mem Model

Used as the second unit, or later, in circuits when a delay and an input signal are required. The first output is caused by delay function after the supply signal is applied. The second output is caused by an input signal.

Flex 6 Dimensional Data is located on Pg. 86.



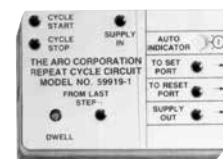
59900

#### 59919-1 Cycle Repeat Circuit

Cycle Repeat Circuit provides continuous recycling of a control circuit started by a momentary start signal, end of cycle stop — momentary input, single cycle operation, emergency stop and an adjustable dwell between cycles. Add to any Flex-6 circuit so it cycles continuously.

Flex 6 Dimensional Data is located on Pg. 86.

See page 102 for additional information.



59919-1



# APLC - Specialty Assemblies

## Features

### Other Six Element Assemblies

Four other six element assemblies are available. These units are sometimes used with Flex-6 circuits and in other cases provide a complete function in themselves.

#### Two-Hand Ant-Tie-Down Model 59191

The two-hand anti-tie-down is used to insure that both push buttons have been actuated before the cycle will start. When the anti-tie-down is used, both buttons must be actuated concurrently to create an output signal. Once either push button is released, the output signal goes off. Both push buttons must then be released and reactivated to start again.

The first drawing shows a two-hand anti-tie-down added to the start of a Flex-6 circuit.

The second drawing shows a more complex circuit which is used to insure that the operator hold both buttons until cylinder 1 is fully extended. Once cylinder 1 is extended and actuates limit valve 1, the push buttons can be released and the machine will continue its automatic cycle.

#### The Signal Standardizer Model 59860

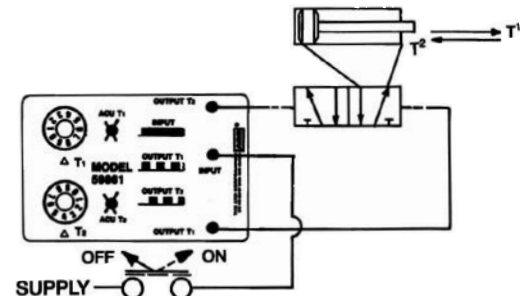
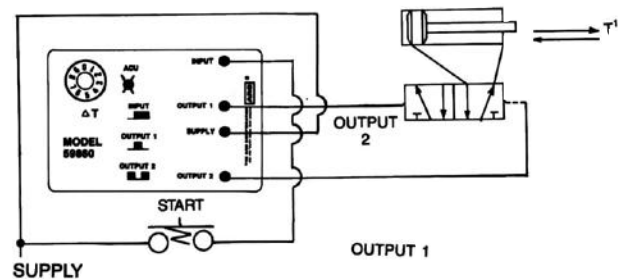
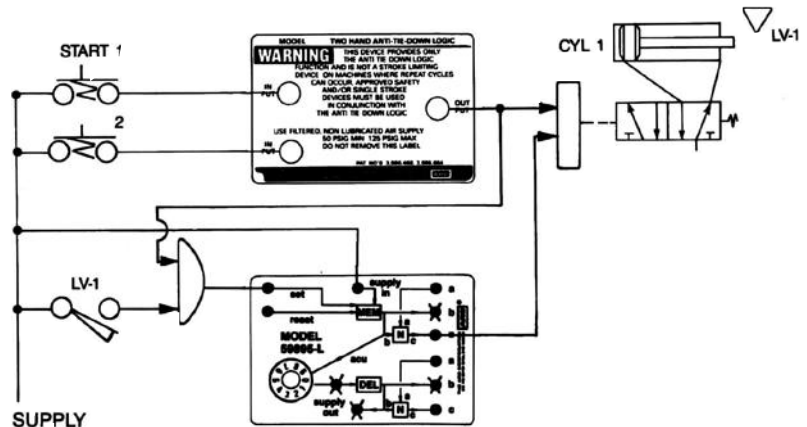
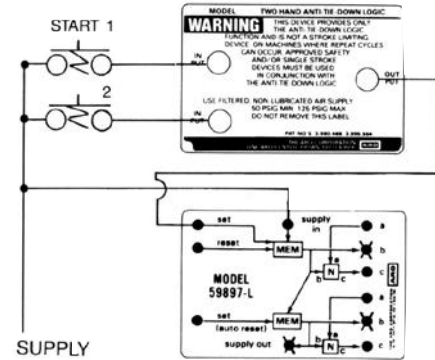
The 59860 signal standardizer (or signal shaper) can be used to convert a signal of any duration to outputs of a predetermined time period.

When the start signal is received, the cylinder will extend for the period of time adjusted on the timer. Then the cylinder will retract. The start input signal can be shorter or longer than the output signal(s)\* without affecting the timing function.

#### The Oscillator Circuit Model 59861

When a signal is received at the input of the oscillator circuit output T<sup>1</sup> will come on. After an adjustable period of time (adjustable at timer T<sup>1</sup>) output T<sup>1</sup> will go off and output T<sup>2</sup> will go on.\* After another adjustable period of time (adjustable at T<sup>2</sup>) output will go off and output T<sup>1</sup> will go on. This will continue as long as the input remains on.

\* Outputs not used can be plugged. Small cylinders can be ported directly to these outputs.



# APLC - Specialty Assemblies

## Features

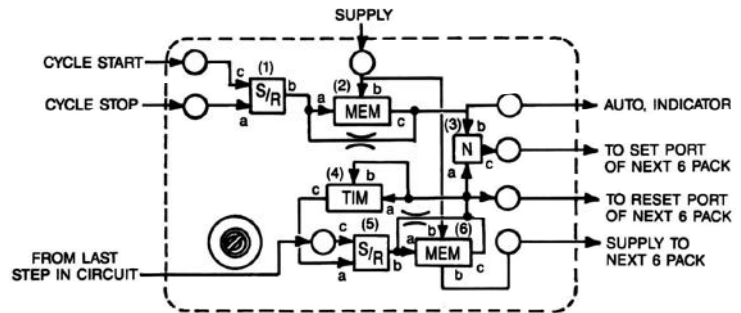
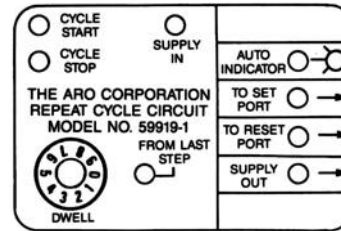
### Cycle Repeat Circuit

#### Cycle Repeat Circuit Model 59919-1

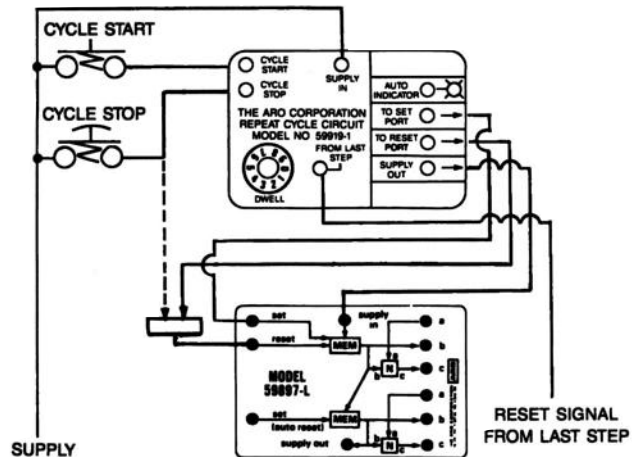
This circuit is designed to replace the 59003-099 cycle repeat circuit.

The cycle repeat circuit shown can be added to any Flex-6 circuit so that it will recycle continuously. The circuit contained in this assembly is shown at the right.

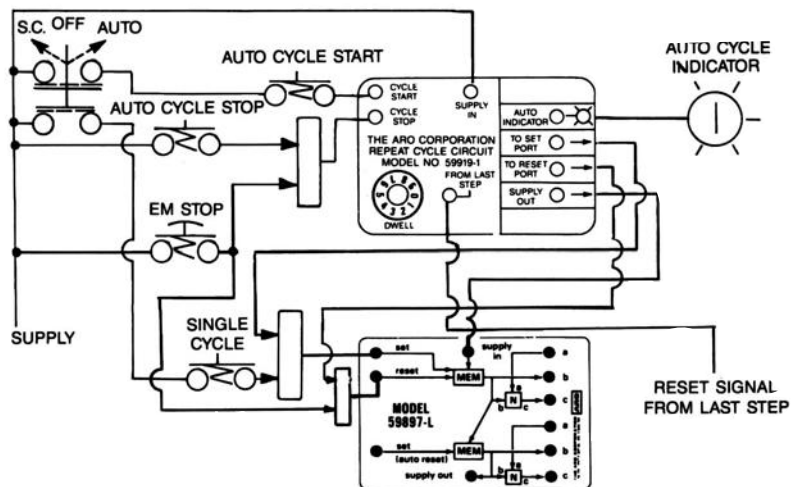
1. The cycle repeat circuit provides for:
  - A. Continuous recycling of a control circuit, started by a momentary start signal.
  - B. end of cycle stop – momentary input.
  - C. An adjustable dwell between cycles.
  - D. Single cycle operation.
  - E. Emergency stop.



The illustration at right shows a cycle repeat circuit connected in its simplest form. Actuation of the start push button starts the circuit to run in an auto-recycle mode. When the cycle stop push button is actuated the circuit will complete that cycle and will not start the next cycle. If you want the cycle to stop immediately, add the connection shown by the dotted line.



The illustration at right shows a more complex application of the cycle repeat circuit. Here we have provisions for either single cycle or automatic cycling and an auto cycle indicator. The circuit can be stopped either at the end of the cycle (with the auto cycle stop push button) or immediately (with the emergency stop button).



# APLC - Elements

## Individual Elements

### 59010 "OR" Element

#### 59023 "OR" Element on 1/8" Base

- Combines two air signals so either can produce an output.
- Output port C is pressurized when either input port A or B is pressurized "on".

**Dimensions:** 1 1/4" sq. x 1" (31.8mm sq. x 25.4mm)

**Response Times:** Input to Output Milliseconds

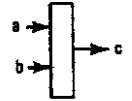
"A" on to "C" on	7.5
"B" on to "C" on	7

Truth table

A	B	C
1	0	1
0	1	1
1	1	1
0	0	0



59010



### 59111 "AND" Element

#### 59124 "AND" Element on 1/8" Base

- Combines two signals so both must be on to create an output.
- Output port C is pressurized only when both inputs A & B are pressurized "on".
- Limit inlet pressures to 60-100 PSI
- Shift occurs when pressures exceed 60% of total and return when pressures fall below 50%.

**Dimensions:** 1 1/4" Sq. x 1 21/32" (31.8mm sq. x 42.1mm)

**Response Times:** Input to Output Milliseconds

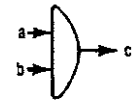
"A" on to "C" on	8
"A" off to "C" off	9.5

Truth table

A	B	C
1	0	0
0	1	0
1	1	1
0	0	0



59111



### 59112 "NOT" Element

#### 59125 "NOT" Element on 1/8" Base

- Combines two signals so that one ("B") must be on, and the other ("A") must be off to create an output.
- Output C is pressurized only when input B is pressurized and input A is off.
- Limit inlet pressures to 60-100 PSI
- Shift occurs when pressures exceed 60% of total and return when pressures fall below 50%.

**Dimensions:** 1 1/4" Sq. x 1 21/32" (31.8mm sq. x 42.1mm)

**Response Times:** Input to Output Milliseconds

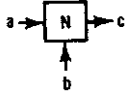
"A" on to "C" off	8.5
"A" off to "C" on	9

Truth table

A	B	C
1	0	0
0	1	1
1	1	0
0	0	0



59112



### 59800 Inhibitor Element

#### 59912 Inhibitor Assembly on 1/8" Base

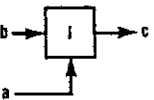
- Functions as NOT element except pressure at A must drop below 5% of supply before element will reset, regaining output at C.
- Useful in detecting air cylinder motions where limit valves cannot be applied.

**Response Times:** Input to Output Milliseconds

A on to C off	15
A off to C on	25



59800



### 59181 Set-Reset (S-R) Gate and 59113 Memory Models

#### 59185 Set-Reset (S-R) Gate and Memory Assembly on 1/8" Base

- The elements work together to perform a memory function.
- With constant supply at B of MEM and B of S-R connected to A of MEM, a momentary pressure signal at C of S-R will cause C of MEM to pressurize. C of MEM will remain pressurized until a pressure signal to A of S-R is received.
- The MEMORY is pneumatically retained. If supply is removed (B MEM off), output C will go off & remain off until a new set signal is received.
- The reset signal ("A" of S-R) is snap-action function and can be connected to a TIMER element to create a delayed reset function.

**Dimensions:** 1 1/4" sq. x 1 21/32" (31.8mm x 42.1mm)

**Minimum Time:** Signal Milliseconds

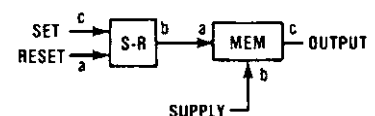
To SET	17
To RESET	19



59181



59113



# APLC - Elements

## Features

### Flip-Flop

#### 59892 "FLIP FLOP" Model

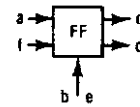
- A memory type element, Flip-Flop converts momentary signals received at the set and reset ports into maintained corresponding outputs.
- A set signal at A shifts the Flip-Flop to C port on and resets D to off. A reset signal at F shifts the Flip-Flop to D on and C off.
- If set or reset signals are maintained, later signals of equal pressure to the opposite input will not alter the output condition.
- The Flip-Flop has six ports and requires two element spaces.

**A** Set Input      **D** Reset Output  
**B** Supply          **E** Supply  
**C** Set Output      **F** Reset Input

- 59892 has two top ports (10-32) for C and D outputs.
  - Shift pressure is 50% of supply pressure.
- Dimensions: 2 1/2" x 1 7/32" (63.5mm x 36.5mm)

#### Approximate Response Time

Input to Output	Milliseconds
A on to C on	11
F on to D on	11



59121



59158



59156



59166-4

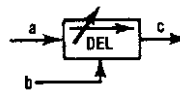
## Delay Elements & Assemblies

### Delay Elements

- Combine an AND and a TIMER function.
- With supply present at B, output will be pressurized (C on) a predetermined amount of time after input A is pressurized. Time can be fixed or adjustable.
- Reset time (time signal at "A" must be off between cycles) is 100 milliseconds.
- Timing ranges for individual elements cannot be increased. For longer delays, a base mounted assembly is needed.

### Delay Timing In Functions

1. With the input off, the output will also be off.
2. The timing function starts when the input goes on.
3. When the timing is complete, the output goes on.
4. Output goes off immediately when input is removed.



### Screwdriver Adjustable Delay Units

- ±4% timing accuracy.

#### Individual Element

**59121** Timing Range: .08 to 4.5 seconds

#### Base Mounted Elements (1/8" Base)

**59158** Timing Range: .08 to 4.5 seconds

**59879** Timing Range: 4.1 to 24.5 seconds

### Dial Adjustable Delay Units

- ±4% timing accuracy.

#### Individual Element

**59156** Timing Range .08 to 4.5 seconds

#### Base Mounted Elements (1/8" Base)

**59160** Timing Range: .08 to 4.5 seconds

### 59166-4 Fixed Delays

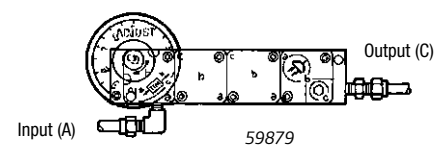
- Not adjustable. Order model for desired time.

**Dimensions:** 1 1/4" sq x 2 3/4" (31.8mm sq. x 69.9mm)

**Model                      Milliseconds**

59166-4                      445 ± 40

Dimensions for Base Assemblies are on page 87.



# APLC - Elements

## Features

### Pulse Elements & Assemblies

#### Pulse Elements

- Combine a NOT and a TIMER function.
- These perform TIMING-IN inverted or PULSE functions, depending on connections to supply port B.

**For TIMING-IN INVERTED function:** With port B pressurized, C port remains on until port A is pressurized. When A is pressurized, C will go OFF after a predetermined amount of time.

**PULSE function:** When A & B are connected together, output C is normally off. If inputs are applied to A & B, output C goes on. C remains on for timer period, then goes off and remains off until inputs are removed and reapplied. Reset time is 100 milliseconds. The predetermined amount of time can be fixed or adjustable.

1. With input off, the output will also be off.
2. Output goes on & timing starts when input comes on.
3. When timing is completed, output goes off.
4. Remove & reapply input to get second output.

NOTE: Input must be longer than output for full times signal. If not possible, see momentary timers.

#### Screw Adjustable Pulse Timers

- ±4% timing accuracy.

##### Individual Element

**59120 Timing Range:** .08 to 4.5 seconds

##### Base Mounted Elements (1/8" Base)

**59157 Timing Range:** .08 to 4.5 seconds

#### Dial Adjustable Pulse Timers

##### Individual Element

**59155 Timing Range:** .08 to 4.5 seconds

##### Base Mounted Elements (1/8" Base)

**59159 Timing Range:** .08 to 4.5 seconds

**59875 Timing Range:** 3.0 to 14.5 seconds

#### 59165-4 Fixed Pulse

- Not adjustable, order model for time desired; ±10% timing accuracy.

**Dimensions:** 1 1/4" sq x 2 3/4" (31.8mm sq. x 69.9mm)

Model	Milliseconds
59165-4	445 ± 40

#### 59114 Differentiator

- A non-adjustable pulse element.
- With A blocked, signal at B will produce an output at C of 80 to 130 milliseconds. Output can be lengthened by connecting a 59117 Accumulator to port A.
- Reset time is 110 milliseconds.

**Dimensions:** 1 1/4" sq. x 1 3/4" (31.8mm sq. x 44.5mm)

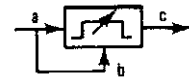
Dimensions for Base Assemblies are on page 87.



59120



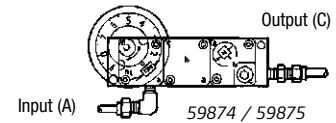
59157



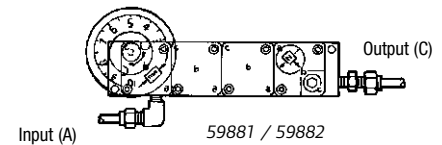
59155



59165-4



59874 / 59875



59881 / 59882



59114

# APLC - Elements

## Features

### Timer Elements

**TIMERS are used in conjunction with snap-acting 59111 AND, 59112 NOT, 59181 S-R GATE or 59800 INHIBITOR to perform special functions not offered in one complete element.**

- Overall height of circuit board can be reduced by using these combinations rather than elements which combine these functions.
- Timing periods can exceed 4.5 seconds when using with 59117 Accumulators.
- Time can be fixed or adjustable, depending on element selected.

#### 59115 Screw Adjustable Timer

- Connected to A of snap-acting AND or NOT element, these timing ranges can be accomplished.

**Dimensions:** 1 1/4" sq. x 2 7/64" (31.8mm sq. x 53.6mm)

Timer	Number of 59117 Accumulators	Timing Range ±4% Seconds
59115	0	.08 to 4.5
59115	1	.14 to 14.5
59115	2	.20 to 24.5
59115	3	.26 to 34.5
59115	4	.32 to 44.5

#### 59116 Dial Adjustable Timer

- Connected to A of snap-acting element, these timing ranges can be accomplished.

**Dimensions:** 1 1/4" sq. x 3 5/16" (31.8mm sq. x 84.1mm)

Timer	Number of 59117 Accumulators	Timing Range ±4% Seconds
59116	0	1.4 to 4.5
59116	1	3.0 to 14.5
59116	2	4.6 to 24.5
59116	3	6.2 to 34.5
59116	4	7.8 to 44.5

### Accumulator

#### 59117 Accumulator

- Used with timing elements to extend timing range. C port is connected to output of timing element. Volume is approximately 1 cu. in. (16.4 cm<sup>3</sup>).

**Dimensions:** 1 1/4" sq. x 2 1/16" (31.8mm sq. x 52.4mm)

### Fixed Orifice plates and Port Plug

- Can be mounted in inlet or outlet ports of any element to reduce flow and/or increase response time.
- Fits into O-Ring cavity of element base.

Model	Orifice Size Inches (mm)
59671-1	.0135 (.343)



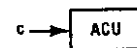
59115



59116



59117



59671-X

# APLC - Elements

## Features

### NOT Amplifier

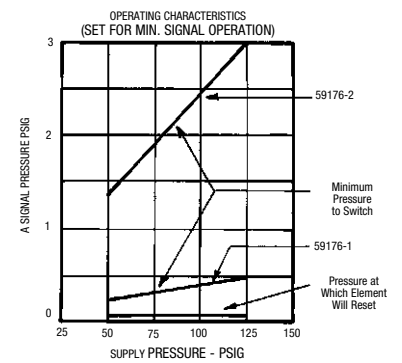
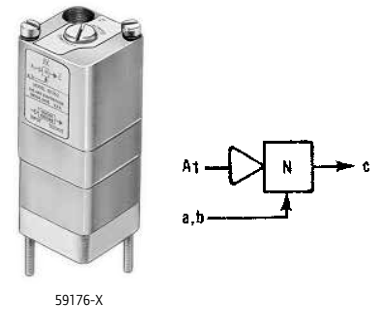
#### 59176 NOT Amplifier

- The element converts low pressure signals such as those used in liquid level sensing, to high pressure signals compatible with other APLC elements.
- Performs NOT function with exception when C output is greater than input of A1.
- Input A & B ports must be interconnected externally of element.
- Output C is on only when low pressure at A1 is off. C output equals pressure at A & B.
- Shift pressure depends on element ordered and adjusted setting.
- Sensitivity adjustment screw allows adjustment of shift point within adjustable range.

**Dimensions:** 1 1/4" sq. x 3" (31.8mm sq. x 76.2mm)

Individual Element	Approximate Response Time Input to Output	Approximate Response Time Milliseconds	Adjustable A1 Pressure Range PSIG when A and B = 50 PSIG (3.4bar)
59176-1	A1 on to C off	10	.24 to 1.5 (0.11 to .07)
59176-2	A1 off to C on	10	1.5 to 15 (0.7 to 1.0)

Element on Base Assys.	Approximate Response Time Input to Output	Approximate Response Time Milliseconds	Adjustable A1 Pressure Range PSIG when A and B = 50 PSIG (3.4bar)
59162-2	A1 off to C on	10	1.5 to 15 (0.7 to 1.0)



### AND Amplifier

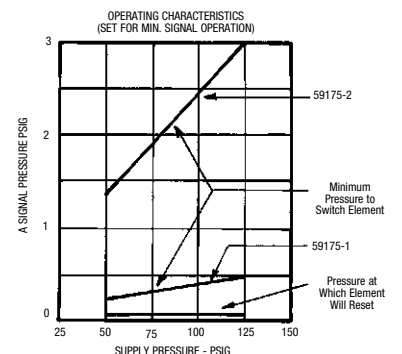
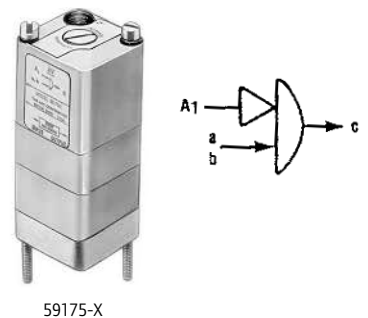
#### 59175 "AND" Amplifier

- The amplifier converts low pressure signals such as those used in liquid level sensing, to high pressure signals compatible with other APLC elements.
- Performs AND function except when output at C is greater than input A1.
- Inputs A & B must be interconnected externally of the element.
- Output C is on only when A1 receives a low pressure signal and inputs A & B are pressurized. Output at C equals pressure at inputs A & B.
- Shift pressure depends on element ordered and adjusted setting.
- Sensitivity adjustment screw allows adjustment of shift point within adjustable range.

**Dimensions:** 1/4" sq. x 3" (31.8mm sq. x 76.2mm)

Individual Element	Approximate Response Time Input to Output	Approximate Response Time Milliseconds	Adjustable A1 Pressure Range PSIG when A and B = 50 PSIG (3.4bar)
59175-1	A1 on to C on	10	.24 to 1.5 (0.11 to .07)
59175-2	A1 off to C off	10	1.5 to 15 (0.7 to 1.0)

Element on Base Assys.	Approximate Response Time Input to Output	Approximate Response Time Milliseconds	Adjustable A1 Pressure Range PSIG when A and B = 50 PSIG (3.4bar)
59161-1	A1 on to C on	10	.24 to 1.5 (0.11 to 0.7)
59161-2	A1 off to C off	10	1.5 to 15 (0.7 to 1.0)



Dimensions for Base Assemblies are on page 87.

# APLC - Elements

## Features

### Special Purpose Elements

#### 59089 Two to Three-Way Converter

- Used to convert a two-way (bleed signal) to a three-way (pressure-exhaust) signal.
- With supply B pressurized, C will be pressurized if A is blocked. When A port is blocked, C will go off.

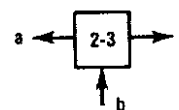
**Dimensions:** 1 1/4" sq. x 1 21/23" (31.8mm sq. x 42.1mm)

#### Approximate Response Time

Input to Output	With 6" (152mm) 5/32" (4mm) Tubing to A--Milliseconds	Add Milliseconds for each Foot more Tubing
A open to C on	14	5.5
A blocked to C off	70	32.5
Start up B to C pulse	90	33.5



59089



#### 59890 Vibrator Element

##### 59866 Vibrator on 1/8" Base

- With input B on, C output will come on and go off in a constant timed pattern until the input is removed.
- The on and off times are not independently adjustable.
- Adjustment timing range: .08 to 4.5 seconds. Output off equals 80% of on setting.
- C port must also be connected to the A input port on element.

**Dimensions:** 1 1/4" sq x 2 3/4" (31.8mm sq. x 69.9mm)



59890

#### 59891 Air to Electric Interface Device

- Normally open, single throw, single pole pressure switch.
- Mount to top of C port of standard element.

**Dimensions:** 1 7/16" dia. x 2 1/4" Wire is 22AWG



59891

Model	Supply	Output	Connections	Response Time
59891	30-150 PSI	5 Amps Max	1/8-27 NPT	On - 1 ms Off - 4 ms

### Porting Block

#### 59109 Porting Block

- Provides three instant tube fittings. One each to A, B or C ports of elements.
- One porting block required for each element.

Dimensions for Base Assemblies are on page 87.



59109



# APLC - Accessories

## Features

### Mounting Equipment

#### 59200-XX Base Plate

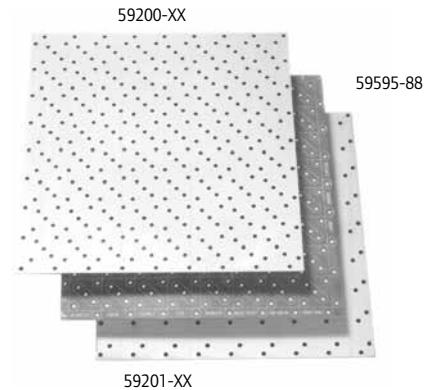
- Contains two mounting holes and three porting holes for each element.
- Surface is metallic grit etched and plated to resist corrosion.

#### 59595-88 Module Gasket

- Corresponding circuit pattern of layout sheet is printed on module.
- Air channels are then cut into gasket for air passage.

#### 59201-XX Cover Plate

- Used in conjunction with 59200 base plate to retain 59595 module.
- Contains only the mounting holes required by elements.
- Surface is metallic grit etched and plated to resist corrosion.



Model	Dimensions in Inches (Millimeters)	Element Coverage
<b>Base Plate</b>		
59200-24	5/64 x 3 21/64 x 5 53/64 (2 x 85 x 148)	2 x 4
59200-44	5/64 x 5 53/64 x 5 53/64 (2 x 148 x 148)	4 x 4
59200-66	5/64 x 8 21/64 x 8 21/64 (2 x 212 x 212)	6 x 6
<b>Module Gasket</b>		
59595-88	1/16 x 10 45/64 x 10 45/64 (2 x 272 x 272)	8 x 8
<b>Cover Plate</b>		
59201-24	5/32 x 3 21/64 x 5 53/64 (4 x 85 x 148)	2 x 4
59201-44	5/32 x 5 53/64 x 5 53/64 (4 x 148 x 148)	4 x 4
59201-66	5/32 x 8 21/64 x 8 21/64 (4 x 212 x 212)	6 x 6

### Base Assembly Method

- Simple logic functions requiring up to four elements can be mounted using the function base assembly method.
- Interconnections between elements are made in a module below the elements. External connections are made via the 1/8" NPTF ports on the porting blocks.



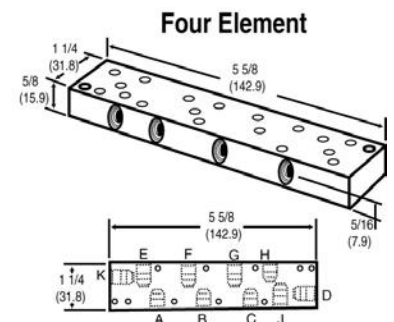
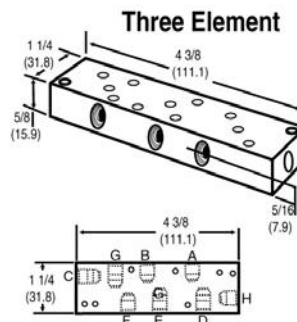
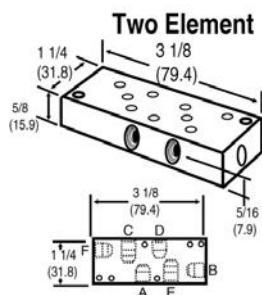
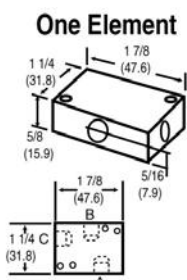
59062  
Base Assembly



58023 Split Bit  
1/4" Hex Shank Bit used to build  
function base assemblies

Model	Base Assembly	# of Ports	Components
59387	1-Element	3	Base, Washer & nuts.
59061	2-Elements	6	Base, Cover plate, module, pipe plugs, nuts and washers.
59062	3-Elements	8	
59063	4-Elements	10	

## Dimensions Dimensions given in Inches and (Millimeters)



# APLC

## Features

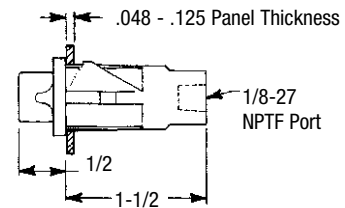
### Multiple Snap Indicator

- Bright sleeve within indicator extends to indicate pressurized condition. Sleeve retracts when pressure is removed.
- Snap-in design for installation into 11/16" (17.5mm) hole.

**Pressure Range:** 30-150 PSI (2.1-10.4 bar)

**59812-1** Red Indicator 1/8" Ports

**59812-3** Green Indicator 1/8" Ports

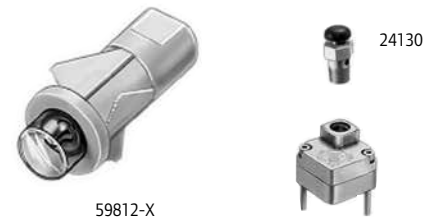


59812-X Dimensional Data

### Element Test Indicators

- Used to indicate an output pressure signal from an element.
- Thread into test port of "OR", "AND" or "MEM" elements.

**24130** Press to test indicator.



24130

59812-X

### Panel Mounted Miniature Control Valves

- Uses basic 200 Series 3-way valves.
- Valves are available with push button or rocker type selectors.
- Order legend sheets separately.

### 3-Way Control Valve Assembly

1/8" Ports Models	Tube Fittings Models	Actuation Type	Port Designation
<b>59804</b>	<b>59804-1</b>	Rocker (Maintained)	3-in, Passing 2-Output



Valve mounts into back of Control unit



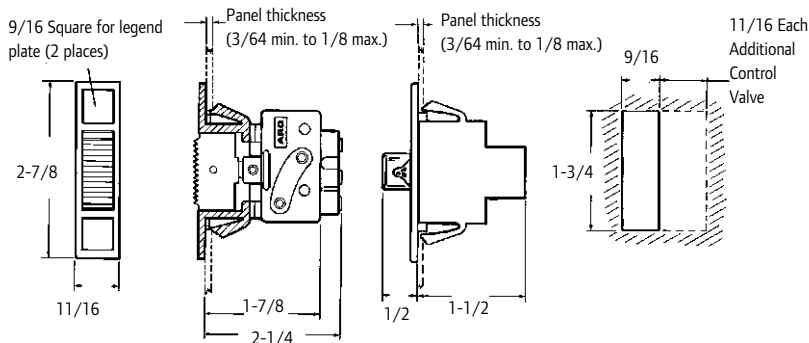
59724-X Legend Sheets

### 59724-X Legend Sheets

Self-adhesive. They fit into recesses of valves and indicators.

Model	Color
<b>59724-1</b>	Black
<b>59724-2</b>	White
<b>59724-3</b>	Green
<b>59724-4</b>	Red

## Dimensions and Mounting Information



# APLC

## Features

- Can be plumbed normally passing, non-passing, selector or any two-way function.
- Eight button styles. Oil tight, all metal construction.
- Fifteen legends available.
- Uses basic 200 Series 3-way valves.
- Can activate one or two control valves.
- Order Valve Kits, Operators, and Legend Plates separately.
- Kits shipped unassembled.

## Performance Specifications

**Pressure Range:** 30 to 150 PSIG (2.1 to 10.4 bar)  
**Temperature Range:** 32° to 160° F (0° to 71° C)  
**Flow & Cv Factor:** 1/8" Ports, 7.5 SCFM Cv = .195  
 5/32" (4mm) Tube Fittings, 4.0 SCFM Cv = .104

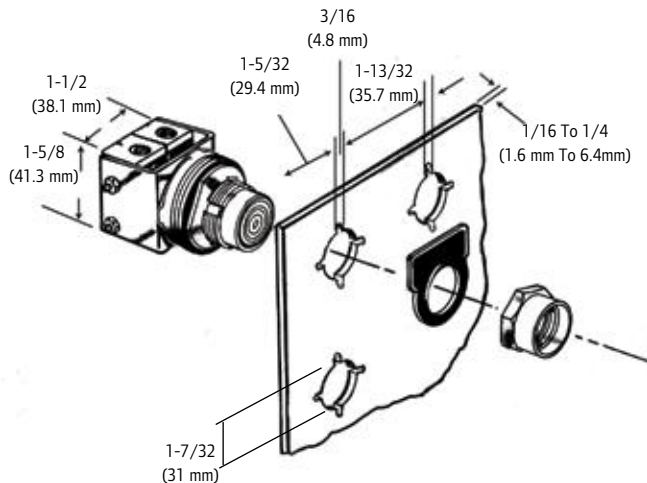
### Valve Kits Ordering Menu

1/8" Ports	Tube Fittings	# of Valves
<b>59064</b>	59064-1	1
<b>59065</b>	59065-1	2

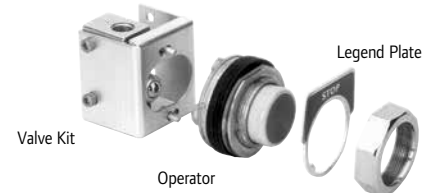
### Push Button Operators

Model	Description	Push Button Model	Legend Plates Plate Marking
<b>59067-10</b>	1 3/8" (35mm) Red Button	<b>59068-14</b>	Emergency Stop
<b>59067-11*</b>	Without Guard	<b>59068-15</b>	Start
<b>59067-12*</b>	Extended Guard	<b>59068-30</b>	Blank
<b>59067-13*</b>	Full Guard	<b>59068-33</b>	Down
<b>59067-15</b>	1 3/8" (35mm) Red Button Push/Pull Action	<b>59068-34</b>	Up
<b>59067-16</b>	2-1/4" (57mm) Red Button	<b>59068-42</b>	Reset
<b>59067-17</b>	2-1/4" (57mm) Green Button		
<b>59067-18</b>	Momentary, universal, dual function push button		

\*Inserts included: (Yellow, White, Green Orange, Black, Blue, Red)



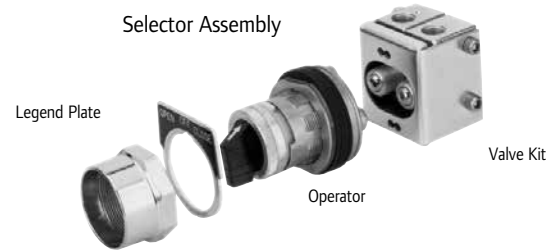
Push Button Assembly



# APLC

## Features

- Can be plumbed normally passing, non-passing, selector or any two-way function.
- Eight button styles. Oil tight, all metal construction.
- Fifteen legends available.
- Uses basic 200 Series 3-way valves.
- Can activate one or two control valves.
- Order Valve Kits, Operators, and Legend Plates separately.
- Kits shipped unassembled.



## Performance Specifications

- Pressure Range:** 30 to 150 PSIG (2.1 to 10.4 bar)  
**Temperature Range:** 32° to 160° F (0° to 71° C)  
**Flow & Cv Factor:** 1/8" Ports, 7.5 SCFM Cv = .195  
 5/32" (4mm) Tube Fittings, 4.0 SCFM Cv = .104

### Valve Kits Ordering Menu

1/8" Ports	Tube Fittings	# of Valves
59064	59064-1	1
59065	59065-1	2

Selector Operators		Selector Legend Plates	
Model	Description	Model	Plate Marking
<b>2-Position Maintained</b>		<b>2 Position</b>	
59066-10	Standard Knob	59068-22	Off-On
59066-11	Gloved Hand Knob	59068-24	Open-Close
59066-133	Key Operated		
<b>3-Position Maintained</b>		<b>3 Position</b>	
59066-16	Standard Knob	59068-30	Blank
59066-17	Gloved Hand Knob	59068-77	Man-Off-Auto
59066-191	Key Operated		
<b>3-Position Spring Return</b>			
59066-20	Standard Knob		
59066-21	Gloved Hand Knob		



59066-10



59066-11



59066-133

# APLC

## Features

### Control Enclosures

#### 58027

- Accepts single push button, selector or palm button valves.
- Standard 1/2" and 3/4" conduit knock-outs at top and bottom

**Dimensions:** 4 3/8" x 4 3/8" x 3 5/8" (111.1mm x 111.1mm x 82.1mm)

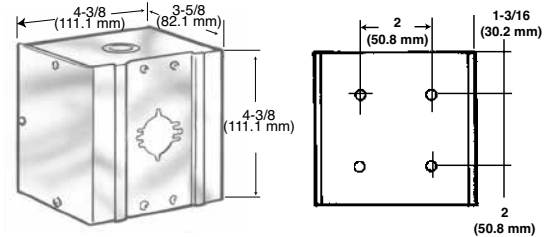


58027

#### 59361

- Accepts four push button, selector or palm button valves.
- Standard 1/2" and 3/4" conduit knock-outs at top and bottom.
- Includes grommets, screws, washers and nuts for installation.

**Dimensions:** 4 3/8" x 10" x 3 5/8" (111.1mm x 254mm x 82.1mm)



#### 59792

- Accepts single push button, selector or palm button valves.
- Standard 1/2" and 3/4" conduit knock-outs at top and bottom.
- Additional space provided for circuitry.

**Dimensions:** 4 3/8" x 10" x 3 5/8" (111.1mm x 254mm x 82.1mm)

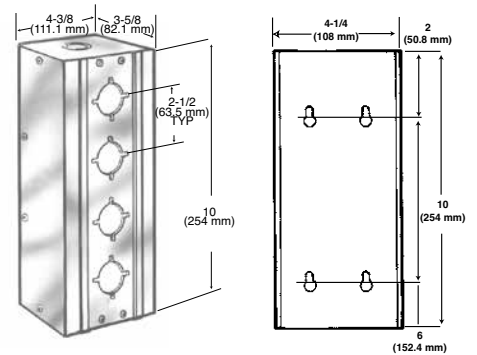


59361

#### 59097-6 Hinged Mounting Plates

- Accepts 6 x 6 element circuit boards.
- Provides mounting and swing-out of circuit boards.
- Requires 5/8" (15.9mm) clearance for circuit boards, 2 3/8" (60mm) for back tubulation.

Circuit Bds	Elements	Dimensions
59097-6	6 x 6	9 1/2" x 10" (241 x 254mm)



59792



59097-6

# APLC

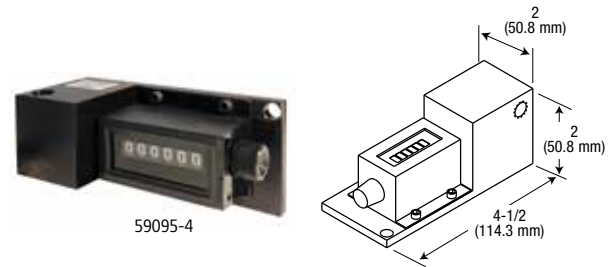
## Features

### Pneumatic Counters

#### Totalizing Counters/Manual Reset

##### 59095-4 Knob Reset/Base Mount

- Counter advances one digit each time a pneumatic pulse is received.
- 600 counts/minute maximum.



## Performance Specifications

**Operating Pressure:** 30 to 125 PSIG (2 to 10 bar)

**Operating Temperature:** 32° to 160°F (0° to 71°C)

**Minimum Signal Duration:** Pressure Signal 0.05 sec.

**Ports:** 1/8" NPT

#### Totalizing Counter/Manual or Pressure Reset

##### 59801 Panel Mount

- 6-digit readout. Records up to 1500 counts/minute
- Can be reset using reset button or pneumatic signal.

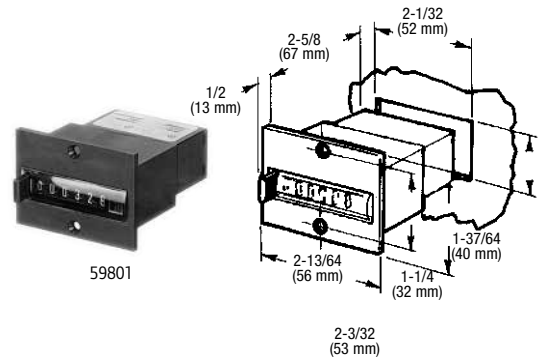
## Performance Specifications

**Operating Pressure:** 30 to 115 PSIG (2 to 8 bar)

**Operating Temperature:** 32° to 140°F (0° to 60°C)

**Minimum Signal Duration:** Pressure Signal .008 sec.  
Exhaust Signal .010 sec.  
Reset Signal .150 sec.

**Ports:** 5/32" (4mm) Tube Fittings



#### Predetermined Counter/Manual or Pressure Reset

##### 59802 Panel Mount

- 5-digit readout.
- Each pneumatic pulse decreases predetermined number by one until zero is reached. An output signal is then provided.
- Counter is reset to predetermined number by the reset button or a pneumatic signal.

## Performance Specifications

**Operating Pressure:** 30 to 115 PSIG (2 to 8 bar)

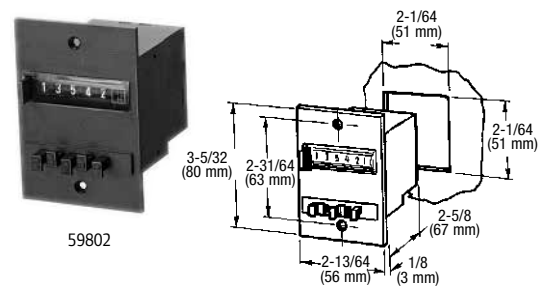
**Operating Temperature:** 32° to 140°F (0° to 60°C)

**Minimum Signal Duration:** Pressure Signal .008 sec.  
Exhaust Signal .012 sec.  
Reset Signal .180 sec.

**Ports:** 5/32" (4mm) Tube Fittings

**Flow:** 4.5 SCFM (2.1 dm<sup>3</sup>/s)

**Port Designation:** P (3) Supply, A (4) Output,  
Z (1) Count, Y (2) Reset



# APLC

## Features

### Liquid Level Sensor

- Sensors produce a pneumatic output signal as fluid levels in an unpressurized vessel rise or fall past predetermined levels. Will accurately sense almost any fluid.
- Supply pressure range: 30 to 150 psig. Range recommended for quickest response is 50 to 100 psig.
- When on, the output is the same pressure as that supplied to the air inlet. When off, the output is connected to atmosphere through an internal exhaust port. This insures a sharp on-off signal from the sensor.
- Units supplied with 25' of flexible 1/4" tubing.

### 59916-1 High Level Sensor

- Provides an output signal when sensing tube is blocked by a liquid.

### 59916-2 Low Level Sensor

- Provides an output signal when sensing tube is not blocked by a liquid.

### How to set-up your Liquid Level Sensor

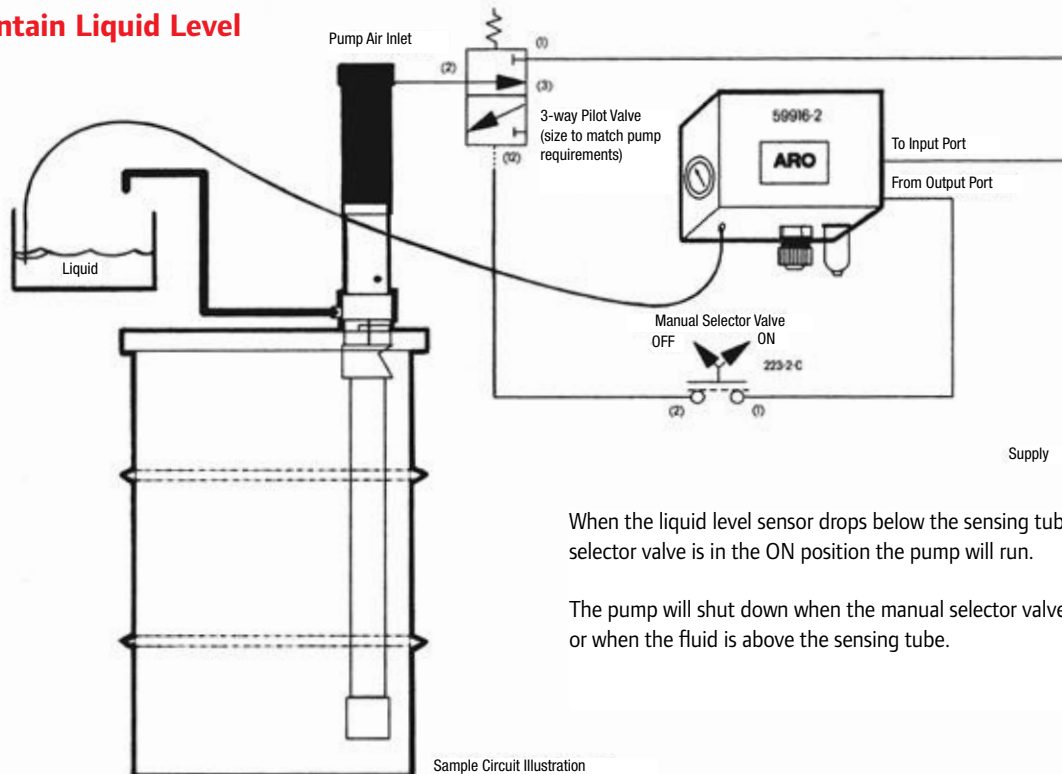
Liquid level sensors are supplied with a 25' length of 1/4" diameter flexible nylon tubing. This tubing attaches to the sensing port (a 1/4" tubing bulk-head fitting located in the bottom of the panel near the regulator adjustment). This is a quick disconnect type fitting; simply push the tubing firmly into the fitting until it locks.

Next, cut the tubing to length and/or attach to the final sensing probe. Install the sensor probe with the open end pointing downward and located at or just below (0 to 2 1/2", depending on type of liquid and design of probe) the level where the operating signal should occur. In some cases, you may use the flexible tubing itself as the sensing probe. In other cases, you may want to use a length of pipe or rigid tubing as a final sensing probe so that it is easier to mount and adjust to the proper depth. The sensor probe will vary with the nature of the fluid being sensed. In all cases, it will need to be chemically and temperature compatible. For water fluids, the open end of the supplied tubing is adequate. For fluids of greater viscosity, you may want to increase the diameter of the opening for greater sensitivity.



59916-X

### Maintain Liquid Level

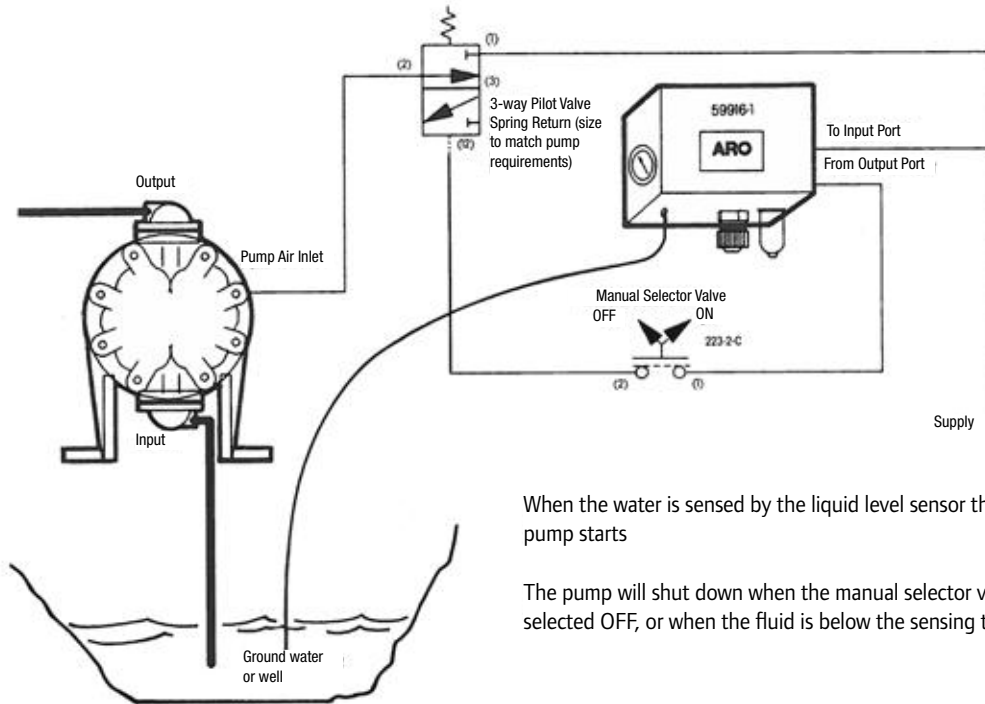


When the liquid level sensor drops below the sensing tube and the manual selector valve is in the ON position the pump will run.

The pump will shut down when the manual selector valve is selected OFF, or when the fluid is above the sensing tube.

# APLC

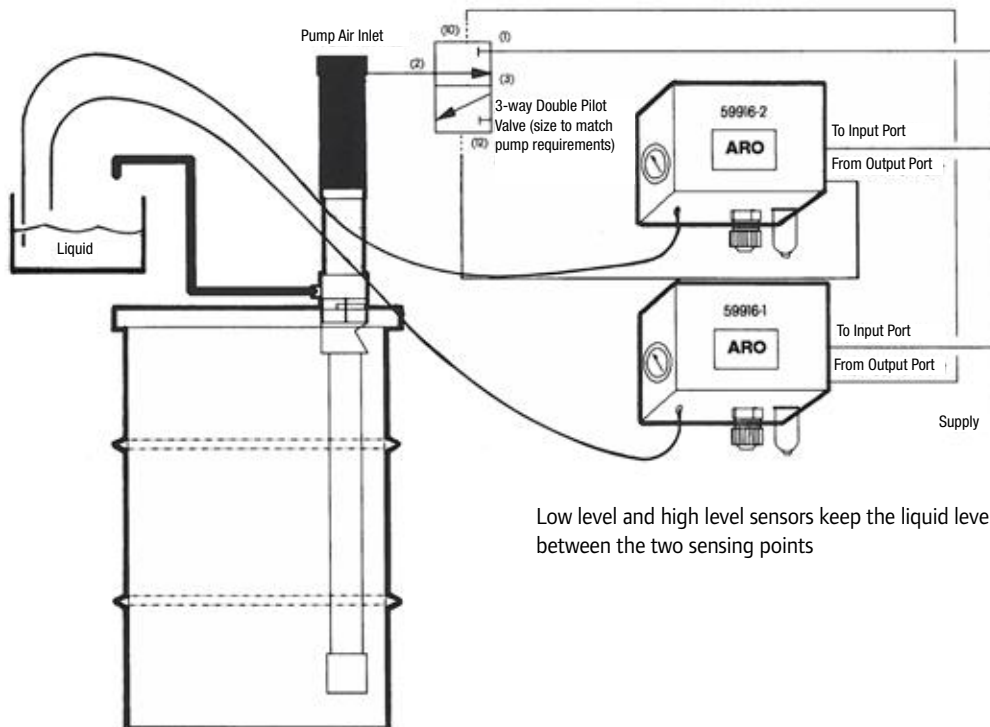
## Removal of Ground Water



When the water is sensed by the liquid level sensor the pump starts

The pump will shut down when the manual selector valve is selected OFF, or when the fluid is below the sensing tube.

## Low and High Sensors



Low level and high level sensors keep the liquid level between the two sensing points



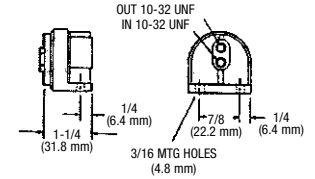
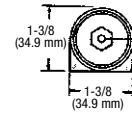
# APLC

## Features

### Pneumatic Sensing Components

#### 59807 Amplifier

- Designed to amplify low pressure signals from sensors.
- Actuates at signal pressures as low as one to four inches (249 to 995 Pa) of water.



### Tubing, Fittings & Connectors

Y-Connector	Tube Size
59482	5/32

Male Connector	Tube Size	NPT
59474-4	5/32	1/8
59474-56	1/4	1/8
59474-156	1/4	1/4
59474-256	1/4	3/8

Tubing (100' rolls)	Tube Size
59690-4	5/32

Male Elbow	Tube Size	NPT
59756-103	5/32	#10-32
59756-4	5/32	1/8
59756-56	1/4	1/8
59756-156	1/4	1/4

Male Branch Tee	Tube Size	NPT
59757-4	5/32	1/8
59757-56	1/4	1/8
59757-156	1/4	1/4

Plug	Tube Size
59463-4	5/32
59463-56	1/4

Union	Tube Size
59759-4	5/32
59759-56	1/4

Union Elbow	Tube Size
59760-4	5/32
59760-56	1/4

Union Tee	Tube Size
59761-4	5/32
59761-56	1/4

Union Bulkhead	Tube Size
59762-4	5/32
59762-56	1/4

Expander Tube Male	Tube Size	NPT
59765-4	5/32	1/4

Reducer Tube Male	Tube Size	NPT
59765-56	1/4	5/32



Maximum Working Pressure Vacuum to 250 PSI (17 bar)

Temperature Range - +5°F to 160°F (-15°F to 71°C)

Tubing Material: Nylon II

### Flex-6 Accessories

59629 Adapter  
1/8" to 10-32 Thread



59634 Cross Junction  
10-32 Thread



5990X Push On Connector  
59905: 10-32 NPT x 1/16" Tube  
59906: 10-32 NPT x 1/8" Tube



5963X-100 Flexible Tubing  
59630-100: 1/16" ID.  
59631-100: 1/8" ID.



59764-4 Male Connector  
10-32 Thread x 5/32" Tube



59908 Nipple  
10-32 x 10-32 Thread



59632-1 Plug  
10-32 Thread



59903 Swivel Connector



59636 Bulkhead Fitting  
10-32 x 10-32 Thread

# Air Systems Components

## Features

By utilizing a modular lockout valve the user can close off the downstream air supply for maintenance and pressure isolation. Units are threaded for direct plumbing or can be installed in the modular arrangement.

Optional filter life indicator works off of pressure differential to show a visible alert when the filter needs replacement.

A T-bracket wall mount is standard on all combo units.

The settable gauge fan is a visual reference that allows the user to display the specific pressure range that is needed for their application.



Use of modular threaded pipe adapters allow for ease of service by allowing a unit to be quickly removed from the air line. Adapters can be used to pipe different thread sizes in the plumbing setup.

The ARO soft-start valve allows system pressure to build gradually, protecting downstream equipment and creating a safer start-up condition.

A panel nut is standard on all individual ARO-Flo regulators and piggybacks. Must be ordered separately on combination units.

## Spares and Accessories

See our accessories catalog or go to our Web site for the complete selection of accessories for your application.



Refurb kits  
104302



Mounting brackets  
104409



Replacement parts  
104338



Pressure switch  
104415

The pressure switch is typically threaded into a manifold port block, and allows the sensing of high or low pressure thresholds set by the user.

The oil drip rate is controlled by adjusting the sight dome adjustment screw in a clockwise or counter-clockwise direction.

The auto-fill option is standard on all ARO-Flo lubricators. Lubricating oil can be added while lubricators are under pressure.



The ARO-Flo check valve is typically installed downstream of the regulator. It is used to help prevent downstream pressure from moving upstream of the valve in the event of upstream pressure loss.

The positive locking thumb switch engages with an audible click, and visually aligns to the locking symbols.

Optional tamper kit installs in seconds and prevents adjustment of the regulated pressure.

The installation of a manifold port block enables design flexibility by allowing clean, regulated air to be diverted to other applications.



Gauges  
104334

Manifold block kit  
104413-3-2

Lubricating oil  
29665

1000 Series



**1000 Series**  
1/8" and 1/4" Ports  
**Max flow:** 59 scfm  
**Series size:** Miniature

1500 Series



**1500 Series**  
1/4" and 3/8" Ports  
**Max flow:** 113 scfm  
**Series size:** Compact

2000 Series



**2000 Series**  
3/8", 1/2", and 3/4" Ports  
**Max flow:** 222 scfm  
**Series size:** Standard

3000 Series



**3000 Series**  
3/4" and 1" Ports  
**Max flow:** 368 scfm  
**Series size:** Heavy-Duty

Super-Duty Series



**Super-Duty Series**  
1", 1-1/4", 1-1/2", 2" and 3" Ports  
**Max flow:** 1,770 scfm  
**Series size:** Super-Duty

Specialty Items



**Specialty Items**  
1/8", 1/4", 3/8", 1/2", and 3/4" Ports  
**Specialty line**

# Air Systems Components

## Overview

### Filters

ARO-Flo compressed air filters are designed to remove airborne solid and liquid contaminants. Filters can be ordered with different elements, including coalescing models which are capable of removing oil aerosols and particles down to 0.3 micron. Standard filters are sold with 5-micron elements; 40-micron elements can be purchased and installed separately.



### Regulators

Air line regulators provide controlled, consistent air pressure as required for specific pneumatic equipment connected to the air system. All ARO-Flo regulators are offered with a standard adjustment range of 0 – 140 psig (0 – 9.6 barg). Alternative spring ranges are offered for easy conversion to suit different requirements. Non-relieving regulators are offered for applications where the venting of downstream overpressure is undesirable.



### Lubricators

ARO-Flo mist-type lubricators help ensure that pneumatic devices receive the required lubrication to maintain peak performance, reduce wear, and prolong service life. They are designed to provide the correct amount of oil required for most general applications in a pneumatic system, delivering a constant ratio of oil to air flow. Precise oil feed adjustment sets the proper oil drip rate. Lubricators should be installed close to the downstream application to ensure effective distribution of oil.



### Piggyback Filters / Regulators

Filter-regulators, or “piggybacks,” combine the functions of both a filter and regulator. Piggybacks are compact and most effective when space is a constraint. Piggybacks can be ordered with different filter elements and can be modified with different springs, depending on the filtration and air regulating requirements.



### Combinations

Filters, regulators, lubricators, and piggybacks can be combined together to form combinations. They are typically strung together in the F+R+L arrangement (three-piece combo) and F/R+L (two-piece combo) arrangement, although other configurations are also used depending on application needs. ARO-Flo combination FRLs are easily assembled using modular spacer kits. Panel nuts not included with units. Must be ordered separately.



# Air Systems Components

## Selection

When selecting an FRL or individual filter, regulator and lubricator units, the air consumption of the tools or equipment to be serviced should be correlated with the flow capacity of the FRL. ARO Filters, Regulators and Lubricators are designed to flow in excess of that indicated in the maximum recommended flow table shown below. This table gives recommended flows for pipe sizes at listed pressures and should be used as a guide in sizing piping and equipment for compressed air systems.

### Maximum recommended air flow (scfm) thru ANSI standard weight Schedule 40 pipe

Applied Pressure PSIG	Nominal Standard Pipe Size — Inches										
	1/8"	1/4"	3/8"	1/2"	3/4"	1"	1-1/4"	1-1/2"	2"	2-1/2"	3"
5	0.5	1.2	2.7	4.9	6.6	13	27	40	80	135	240
10	0.8	1.7	3.9	7.7	11.0	21	44	64	125	200	370
20	1.3	3.0	6.6	13.0	18.5	35	75	110	215	350	600
40	2.5	5.5	12.0	23.0	34.0	62	135	200	385	640	1100
60	3.5	8.0	18.0	34.0	50.0	93	195	290	560	900	1600
80	4.7	10.5	23.0	44.0	65.0	120	255	380	720	1200	2100
100	5.8	13.0	29.0	54.0	80.0	150	315	470	900	1450	2600
150	8.6	20.0	41.0	80.0	115	220	460	680	1350	2200	3900
200	11.5	26.0	58.0	108.0	155.0	290	620	910	1750	2800	5000
250	14.5	33.0	73.0	135.0	200	370	770	1150	2200	3500	6100

The flow values in the chart above are based upon a pressure drop ( $\Delta P$ ) as set forth in the following schedule:

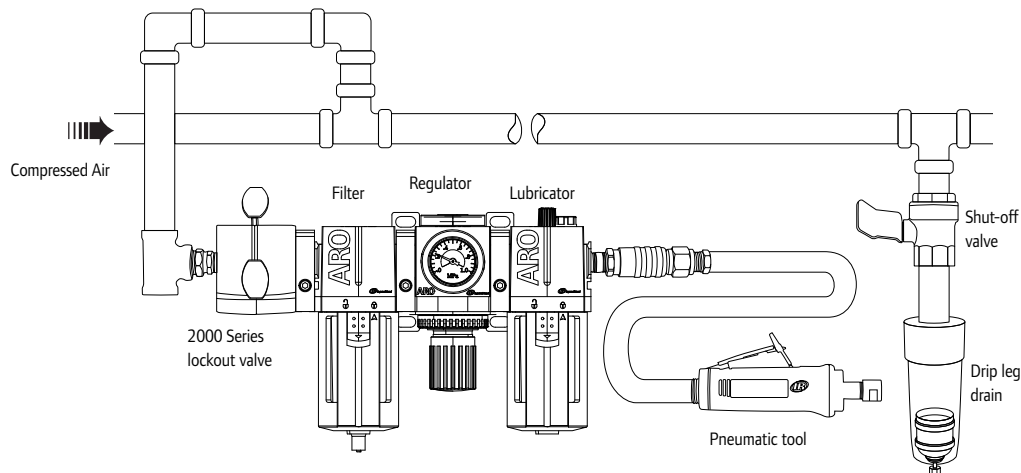
Pressure Drop ( $\Delta P$ ) per 100 ft. of Pipe	Pipe Size — Inches
10% of Applied Pressure	1/8, 1/4, 3/8, 1/2
5% of Applied Pressure	3/4, 1, 1-1/4, 1-1/2, 2, 2-1/2, 3

## Installation

The filter, regulator and lubricator should be installed in the order shown in the illustration below.

If a coalescing filter is required, it should be installed downstream from a standard filter. Individual take-off lines to the FRL and air tool or equipment should be from the top of the compressed air line. Make sure that air flow markings are followed for proper flow direction through the FRL units.

To trap and expel water, sludge and other contaminants which may collect on the bottom of the air line, a drip leg drain should be used. Drip leg drains should be installed at low points in the piping system and at the far end of the distribution



# Warnings and General Information

## Warnings

### Harmful Compressor Oils & Other Materials

Some oils used in air compressors contain chemicals harmful to Buna-N seals, if not adequately filtered at the compressor. The most common of these oils, in addition to other harmful material, are listed below.

CAUTION: Compounded oils containing graphite and fillers are not recommended for use with cylinders.

#### COMPRESSOR OILS

Cellulube No. 150 & 220  
 Haskel No. 568-023  
 Houghton & Co. Oil No. 1120, No. 1130, No. 1055  
 Houtosafe 1000  
 Kano Kroil  
 Keyston Penetrating Oil No. 2 & No. 500 Oils  
 Marvel Mystery Oil

#### COMPRESSOR OILS

Phrano  
 Pydraul AC  
 Sears Regular Motor Oil  
 Sinclair Oil "Lily White"  
 Skydrol  
 Tenneco Anderol No. 495

#### OTHER MATERIALS

Garlock No. 98403 (Polyurethane)  
 Parco No. 3106 (Neoprene)  
 Some Loctite Compounds  
 Stillman No. SR269-75 (Polyurethane)  
 Stillman No. SR513-70 (Neoprene)

### Air & Lubrication Requirement

**AIR PRESSURE:** Limited to 200 psig (14 bar) FILTRATION: 40 Micron. Proper moisture removal and filtration of contaminants will promote good service life and operation. Install an air regulator to control the operating pressure, insure smooth operation and conserve energy.

**LUBRICATION:** All valve components have been lubricated at the factory and can be operated without additional air line lubrication. Minimal lubrication may extend the life of the valve. 50 Series, E-Series and K-Series Valves use o-ring seals. For maximum performance and life expectancy, standard air line lubrication should be used. If air line cylinders or other air line devices, used in conjunction with ARO® valve, require lubrication, be sure the lubricating oils used are compatible with the valve seals and are of sufficient viscosity to assure adequate lubrication. ARO® recommends an oil lubricant with a viscosity of 100-200 SUS at 100° F and an airline point above 200° F.

**NOTICE:** The use of compound oils containing graphite filters, extremely low viscosities or other non-fluid lubricants is not recommended.

**RECOMMENDED:** ARO® 29665 air line lubricator oil is available in one quart containers.

### General Information

To obtain information or to receive technical literature for specific valves: contact ARO Customer Service at (800) 495-0276 or contact your nearest Aro distributor. Refer to the Service Kit Director for Valves and Cylinders form #9326-M, available from Aro. Selected parts are provided in kit form. The ARO Parts List/Service Instructions contain Repair Kit information and complete Service Parts information and are available upon request. Order Manuals as shown. The following Operator's Manuals are available.

Operator's Manual	Part Number
ALPHA SERIES	119999-015
CAT SERIES	119999-036
E SERIES	119999-034
GENESIS SERIES	119999-021
H SERIES	119999-037
K SERIES	119999-035
50 SERIES	119999-045

### Warning

The following are hazards or unsafe practices which could result in severe personal injury, death or substantial property damage. Heed the following. Use safeguards. Insure that provisions are made to prevent the valve from being accidentally operated (actuated.)

**Hazardous Air Pressure.** Shut off, disconnect and relieve any trapped air pressure from system before performing service or maintenance.

**Hazardous Voltage.** Do not attempt any service without disconnecting all electrical supply sources.

Do not use the valve as a safety device or to operate or control the operation of full revolution clutch systems or brake systems on power presses or similar equipment. These valves are not intended for such applications. Do not subject the valve to any condition that exceeds the limits set forth in the specifications for a particular valve model. Keep all hoses, electrical wiring, fittings and connections in good working condition. Damaged air pressure hoses, electrical wiring, or connections, could cause accidental valve operation (actuation). Only allow qualified technicians to install or maintain the valve system. It is necessary to have a thorough understanding of the operation and application of all valves being used in a particular system and how they interact with the other components of the system.

---

# Warranty

## 5 Year Warranty

Ingersoll Rand/ARO® warrants to the user purchaser of the ARO® products depicted in this catalog that the products be free of defects in material and workmanship for a period of five (5) years from the date of purchase.

ARO® will repair or replace, at its election, any product which is found upon its inspection to be defective during the period prescribed above. The product must be shipped prepaid to ARO® factory or ARO® Customer Service Center together with proof of purchase.

This warranty does not apply to failures or defects occurring as a result of abuse, misuse, negligent repairs, corrosion, erosion and normal wear and tear.

THIS WARRANTY IS IN LIEU OF ALL OTHER WARRANTIES (EXCEPT TITLE), EXPRESSED OR IMPLIED, AND THERE ARE NO WARRANTY OF MERCHANTABILITY OR FITNESS FOR PARTICULAR PURPOSE IS INTENDED OR MADE .

THE REMEDIES OF THE USER PURCHASER SET FORTH UNDER THE WARRANTY OUTLINED ABOVE ARE EXCLUSIVE AND THE TOTAL LIABILITY OF ARO WITH RESPECT TO THIS TRANSACTION, WHETHER BASED ON CONTRACT, WARRANTY, NEGLIGENCE, INDEMNITY, STRICT LIABILITY OR OTHERWISE SHALL NOT EXCEED THE PURCHASE PRICE OF THE PRODUCT.

ARO® SHALL IN NO EVENT BE LIABLE TO THE USER PURCHASER FOR ANY CONSEQUENTIAL, INCIDENTAL, INDIRECT, SPECIAL OR PUNITIVE DAMAGES ARISING OUT OF THIS TRANSACTION, OR ANY BREACH THEREOF, WHETHER OR NOT SUCH LOSS OR DAMAGE IS BASED ON CONTRACT, WARRANTY, NEGLIGENCE, INDEMNITY, STRICT LIABILITY OR OTHERWISE.



# Numerical Index

Number	Page	Number	Page	Number	Page	Number	Page	Number	Page
103-X	58	59156	82	59912	81	119308-XXX	66	RKM21X-XX	71
105-X	58	59157	83	59913	75	119309-XXX	66	RKM31X-XX	71
109-X	58	59158	82	59914	75	119310-XXX	66	RKM81X-XX	71
2XX-X	57	59159	83	59916-X	93	119350	9	S5XSMX-1	5
400-X	60	59160	82	59917	75	119351	9	S5XX9X-1	6
401-X	60	59161-X	85	59919-1	78	119367	6	SML51N-XX	5
402-X	60	59162-2	85	104094	67	119638	6	SMH51N-XX	6
447	60	59165-4	83	104096	67	119375	9	SMH81N-XX	11
448	60	59166-4	82	104104-XXX	67	119376	9	SML81N-XX	11
449	60	59175-X	85	104484	59	119416	69	SV10-C	63
450	60	59176-X	85	104485	59	119690-XX	26, 69	SV20-C	63
46X-X	61	59181	81	104486	59	119698-X	26	TBXX-XXX-X	30-31
600-X	65	59185	81	104487	59	119892-XX	5, 6	TSXXX-XXX-XX	30
5030-XX	32	59191	74, 79	114155	11	119893-XX	5, 6	SK-T0XXB	31
5040-XX	32	59200-X	87	114417	39	AXXXX-XXX-X	19	SK-T1XXB	31
7000	71	59201-X	87	114418	36	CATXXX-XXX-X	24-27		
7006	72	59361	91	114419	36	CBW	14, 69		
7007	72	59387	87	114420	36	CDN	14, 69		
7008	72	59463-X	95	114421	36	CDL-XXX	14, 69		
7010	72	59474-XXX	95	114597-XX	41	CDW	14, 69		
7012	72	59482	95	114598-XX	41	CDW-30	26, 69		
7102	72	59595-88	87	114599	41	CHL-XXX	14, 69		
7103	72	59629	95	114803	11	CHL6-XXX	11		
9600	62	5963X-100	95	114806	28	CHW	14, 69		
13111	33, 43, 61	59632-1	25, 95	114807	28	CHW6	11		
20308-X	64	59634	95	114808	11	CHW-30	26, 69		
20311-X	64	59636	95	114822	36	CPXX-B	68		
20312-X	64	59671-1	84	114138-XX	11	CSL-XXX	14, 69		
20313-X	64	59690-4	95	114153-XX	11	CSL6-XXX	11		
20368	57	59724-X	88	114645	39, 71	CSN	14, 69		
20370	63	59756-XXX	95	114772-XX	69	CSN6	11		
20467	63	59757-XXX	95	115046-XX	69	CSN-30	26, 69		
20965-X	43, 49	59759-XX	95	115064-XX	69	CSN-MICRO	28		
20973-X	61	59760-XX	95	115455-1	21	EXXXXX-XXX-X	42		
20975	61	59761-XX	95	116153	47	EV 30-A	62		
24130	62, 88	59762-XX	95	116218-XX	69	EV 35-A	62		
24135	62	59764-4	95	116345-X	25	EV 125	62		
58023	87	59765-XX	95	116464	21, 64	EV 250	62		
58027	91	59792	91	116572	72	EV 375	62		
59010	81	59800	81	116573	71	FXX-BK	68		
59023	81	59801	92	116574	72	HXXXX-XXX-X	52		
59003-842	74	59802	92	116575	71	KXXXX-XXX-X	48		
59061	87	59804-X	88	116578	72	MKN	20		
59062	87	59807	95	116579	72	MKP	20		
59063	87	59808	74	116647-XX	69	M11XLR	39		
59064-X	89, 90	59809	74	116702	71	M2XXX	36, 39, 41, 59		
59065-X	89, 90	59812-X	88	116710	20	M21XX-XXX-X	13		
59066-XX	90	59860	75, 79	116772	71	M211PS	59		
59067-XX	89	59861	75, 79	116773	71	M251PS	59		
59068-XX	89, 90	59866	86	116808	20	M26M02-XX	14		
59089	86	59875	83	116899-1	21	M30M03-XX	14		
59095-1	92	59879	82	116916-1	21	M34M04-XX	14		
59097-6	91	59890	86	116926-1	21	M51XLR	39		
59109	86	59891	86	117345-XX	69	M81XX-XXX-X	11		
59111	81	59892	82	117987	20	MP3651-7	33, 43, 61		
59112	81	59895	78	118597-XX	71	MQ3620	71		
59114	83	59896	78	118598-XX	71	MXXMB	14		
59115	84	59897	78	11860X-X	21	MXXX-XX-XXX-X	13		
59116	84	59898	78	118612	21	NXX-BK	68		
59117	84	59899	78	118618	21	P114400	28		
59124	81	59900	78	119243	33, 43, 61	P2X1-XXX-X	28		
59120	83	59903	95	119244	33, 43, 61	PEN	20		
59121	82	59905	95	119245	33, 43, 61	PPN	20		
59125	81	59906	95	119306	19, 21	PTN	20		
59155	83	59908	95	119307-XXX	66	PR10	62		





Distributed by:

[www.AROzone.com](http://www.AROzone.com)

[arotechsupport@irco.com](mailto:arotechsupport@irco.com)

[youtube.com/aropumps](https://youtube.com/aropumps)

(800) 495-0276

# ARO®

ARO® is a brand of Ingersoll Rand. Ingersoll Rand (NYSE:IR) advances the quality of life by creating comfortable, sustainable and efficient environments. Our people and our family of brands—including Club Car®, Ingersoll Rand®, Thermo King® and Trane®—work together to enhance the quality and comfort of air in homes and buildings; transport and protect food and perishables; and increase industrial productivity and efficiency. We are a \$14 billion global business committed to a world of sustainable progress and enduring results. For more information, visit [www.ingersollrand.com](http://www.ingersollrand.com).